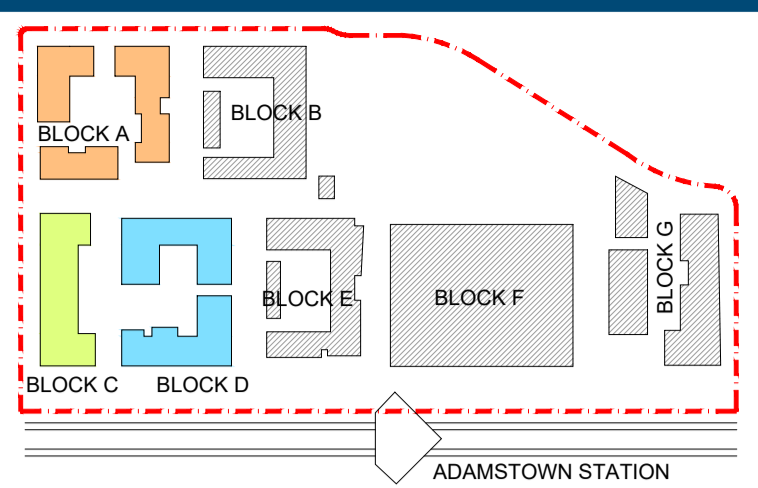
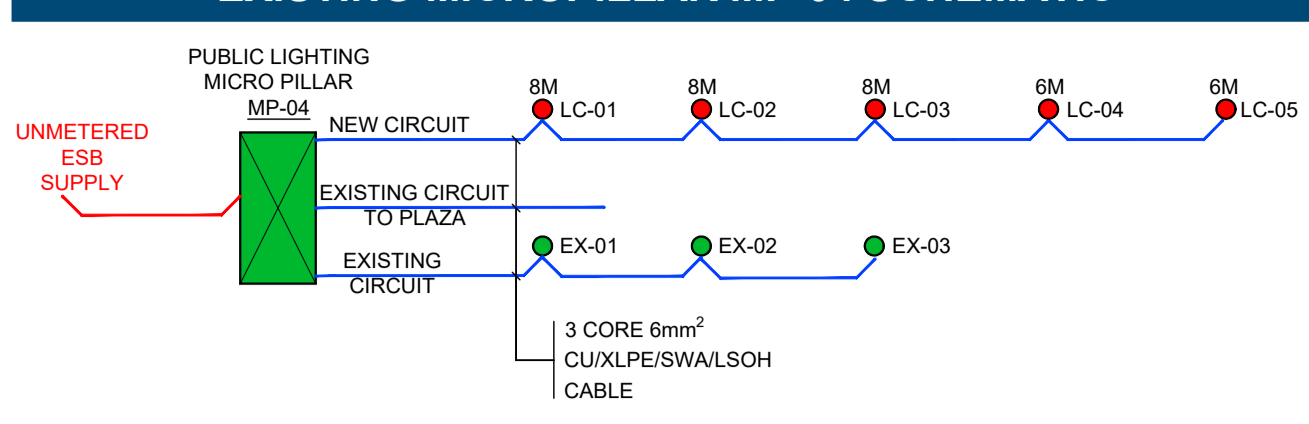


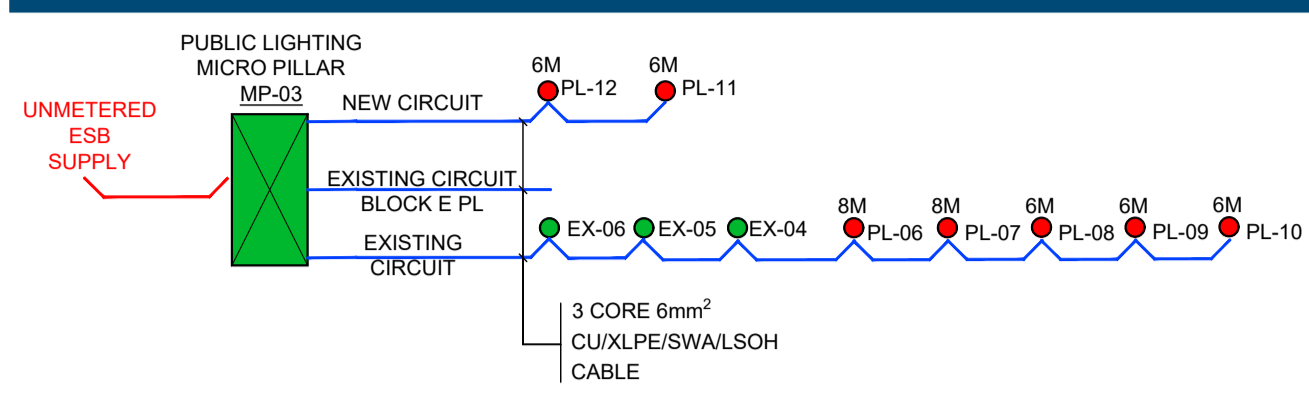
KEYPLAN ADAMSTOWN STATION BLOCKS ACD



EXISTING MICROPILLAR MP-04 SCHEMATIC



EXISTING MICROPILLAR MP-03 SCHEMATIC



PRIVATE LIGHTING INSTALLATION NOTES

- 1.00 LIGHTING COLUMNS TO BE CONSTRUCTED OF TUBULAR OR OCTAGONAL STEEL WITH A FLAT STEEL DOOR WITH A MINIMUM WALL THICKNESS OF 3mm AND TO BE HOT DIPPED GALVANISED TO BS EN 1461.
- 2.00 ALL CABLEING TO PRIVATE EXTERNAL LIGHTING LOCATIONS TO BE WIRED UNDER IN2 SPECIFICATION.
- 3.00 ALL IN-GROUND RISE DUCTS TO BE INSTALLED BY THE MAIN CONTRACTOR UNDER THE COORDINATION OF THE ELECTRICAL CONTRACTOR AND SHALL BE MARKED WITH ELECTRICAL MARKING TAPE AT 300mm BELOW FINISHED GROUND LEVEL.
- 4.00 THE ELECTRICAL CONTRACTOR SHALL, PRIOR TO THE INSTALLATION, VERIFY THE CAPACITY OF THE IN-GROUND DUCT NETWORK TO THE MAIN CONTRACTOR.
- 5.00 LIGHTING TO BE SUPPLIED VIA A SOLAR TIME CLOCK WITHIN EACH PUBLIC LIGHTING MINI PILLAR.
- 6.00 ALL OUTGOING CIRCUITS SHALL BE INDIVIDUALLY FUSED BY MEANS OF A 20A HRC CUT-OUT TYPE & CAPABLE OF ACCOMMODATING CABLE SIZES UP TO 35mm². THESE FUSES SHALL BE RATED 16A MINIMUM RUP/TURNING CAPACITY & SHALL COMPLY WITH BS8888RC.
- 7.00 THE DETAILED CABLE DESIGN SHALL BE UNDERTAKEN TO MATCH THE CALCULATED ELECTRICAL LOAD WHICH WOULD TYPICALLY ALLOW BETWEEN 4 AND 8 FITTINGS TO BE SUPPLIED PER PHASE.
- 8.00 PRIVATE LIGHTING IS TO BE BACKED UP BY GENERATOR. THE CONTRACTOR MUST ENSURE THAT THE CABLEING USED FOR PRIVATE LUMINAIRES SUPPLIED FROM THE GENERATOR ARE FIRE RESISTANT AND IN ACCORDANCE WITH THE IN2 LV SCHEMATICS.

EXISTING ELECTRICAL SITE DUCTING REFERENCE KEY

- - - 2 No. EXISTING Ø107mm PUBLIC LIGHTING DUCTS

PRIVATE SITE DUCTING REFERENCE KEY

- Ø107mm HIGH IMPACT DUCTS FOR PRIVATE SITE LIGHTING CABLEING

PRIVATE SITE LIGHTING REFERENCE KEY

- PROPOSED PRIVATE LIGHTING CIRCUIT
- X4 (6m) 45.5W LED LUMINAIRE MOUNTED ON 6M COLUMN
- X5 (4m) 21W LED PRIVATE LUMINAIRE MOUNTED ON 4M COLUMN
- LIGHTING COLUMN

DOOR ACCESS SYSTEM REFERENCE KEY

- EXTERNAL AUDIO INTERCOM UNIT c/w KEYPAD & FOB ACCESS
- GREEN BREAK GLASS UNIT FOR EMERGENCY RELEASE.
- REX DOOR ACCESS REQUEST TO EXIT BUTTON (STAINLESS STEEL FINISH)
- TRANSMAGNETIC DOOR LOCKS C/W INTEGRAL INTRUDER ALARM CONTACTS
- CR SALTO PROXIMITY CARD READER
- EXTERNAL DOOR ELECTRO STRIKE LOCK C/W INTRUDER ALARM CONTACTS
- EXTERNAL CCTV CAMERA TYPE 1.

REF: 'X4' LUMINAIRES

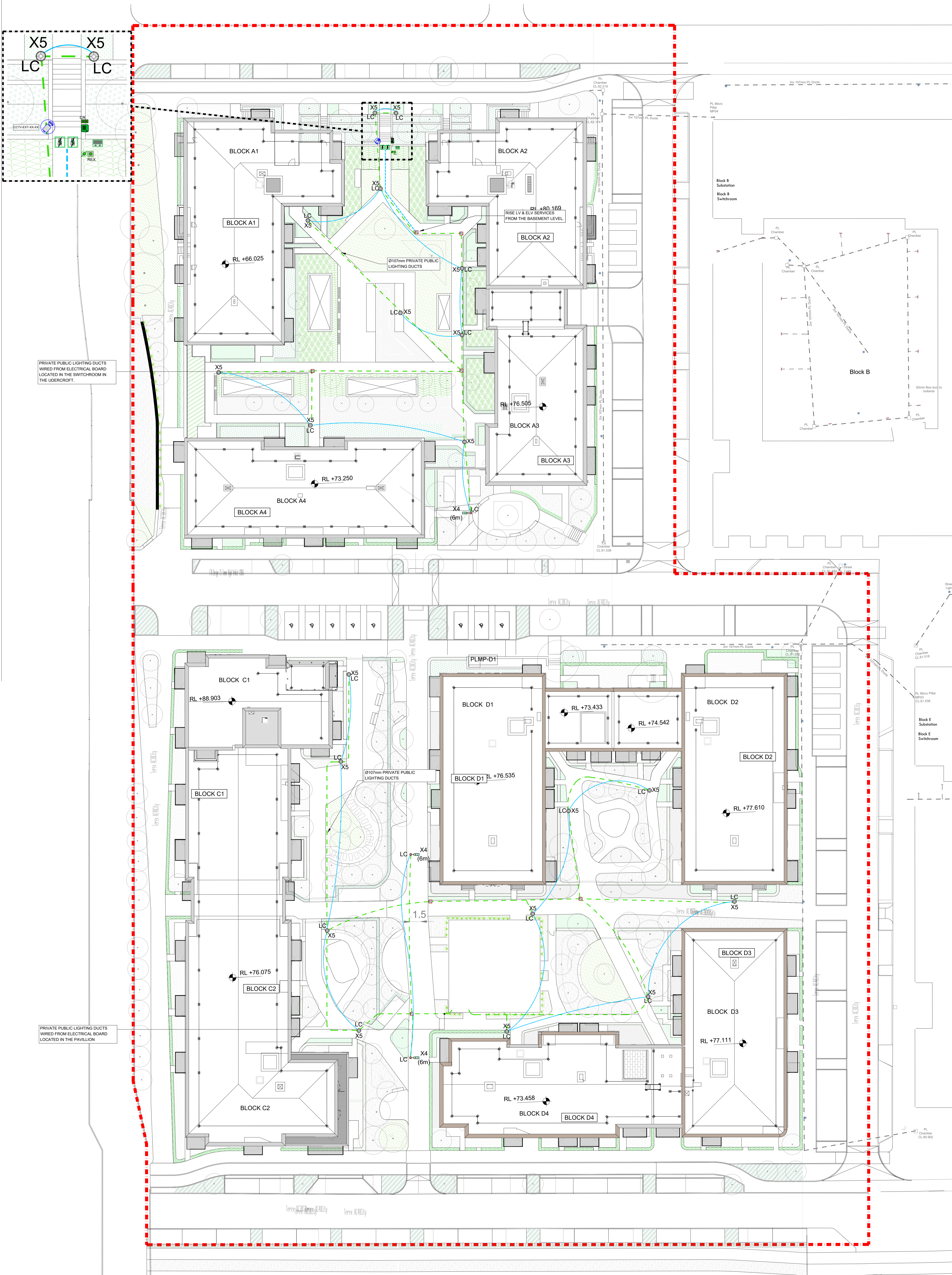
45W, 800h, 4000K LED, IP66 RATED POLE MOUNTED (Ø60) (DIMS: 475(L) x 234(W) x 147mm(H))

AS PER LUMINAIRE SCHEDULE

REF: 'X5' LUMINAIRES (PRIVATE)

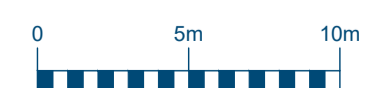
IP66 RATED, 21W LED, 2620lm, 3000K, DECORATIVE LANTERN MOUNTED ON A 4m POLE. (DIMS: Ø720 x 517(H))
AVF: 18.50 730 RS CL BS 3550 CL2 NM → 29 W

AS PER LUMINAIRE SCHEDULE



PRIVATE PUBLIC LIGHTING DUCTS WIRED FROM ELECTRICAL BOARD LOCATED IN THE SWITCHROOM IN THE UNDERCROFT.

PRIVATE PUBLIC LIGHTING DUCTS WIRED FROM ELECTRICAL BOARD LOCATED IN THE PAVILION.



STATUS	DATE	DESCRIPTION	DRN	ENG	APP	REV
S2	02.07.2024	PLANNING AMENDMENT	DS	LVR	JR	PS1

STATUS	DATE	DESCRIPTION	DRN	ENG	APP	REV
S2	02.07.2024	PLANNING AMENDMENT	DS	LVR	JR	PS1