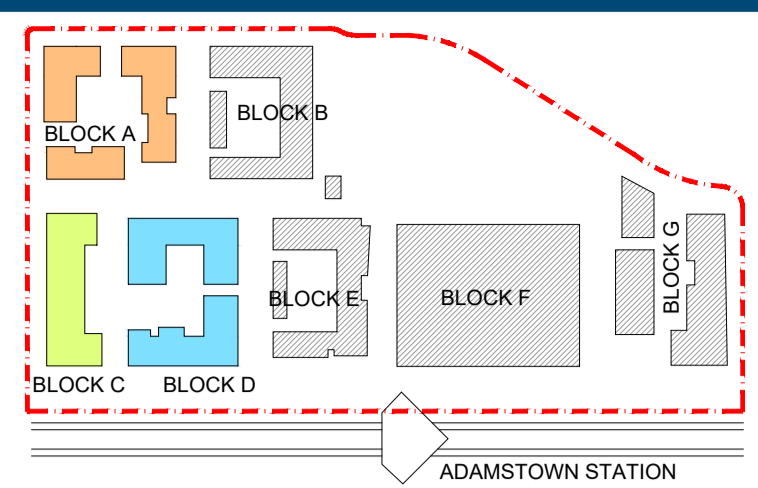
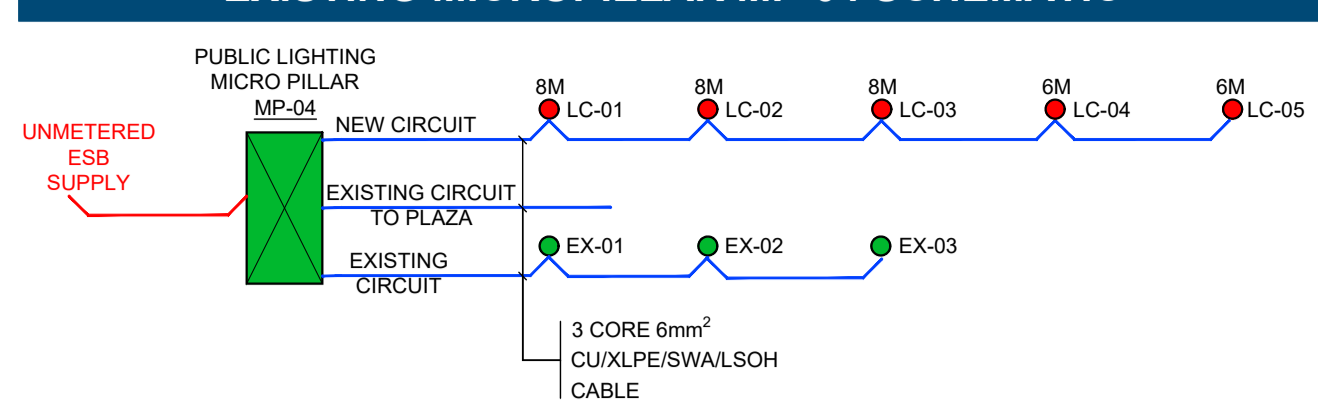


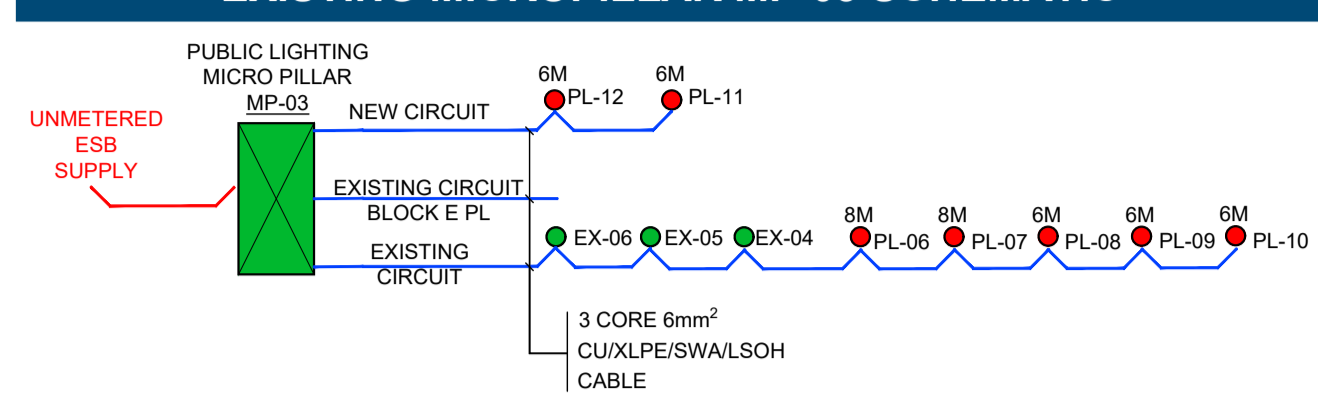
KEYPLAN ADAMSTOWN STATION BLOCKS ACD



EXISTING MICROPILLAR MP-04 SCHEMATIC



EXISTING MICROPILLAR MP-03 SCHEMATIC



PUBLIC LIGHTING INSTALLATION NOTES

- 1.00 THIS DRAWING NEEDS TO BE REVIEWED IN CONJUNCTION WITH THE IN2 LUMINAIRE SCHEDULE
- 2.00 LIGHTING COLUMNS TO BE CONSTRUCTED OF TUBULAR OR OCTAGONAL STEEL WITH A FLAT STEEL DOOR WITH A MINIMUM WALL THICKNESS OF 3mm AND TO BE HOT DIPPED GALVANISED TO BS EN 1461 AS PER BS00C LIGHTING SPECIFICATION.
- 3.00 ALL CABLEING TO EXTERNAL LIGHTING LOCATIONS TO BE WIRED WITH NYKY CABLE TO DIN VDE 0276/03 (0.6/1KV), SUITABLY SIZED STEEL WIRED ARMOUR (SWA) IS NOT ACCEPTED AS SHALL BE AS PER BS00C PUBLIC LIGHTING SECTION REV. 22018 CONTAINED IN SINGLE WALLED, COLOUR RED, 10 D.P.E. DUCTS, WHICH SHALL BE 107mm OUTER DIAMETER WITH A WALL THICKNESS OF 5mm.
- 4.00 ALL IN GROUND HOPE DUCTS TO BE INSTALLED BY THE MAIN CONTRACTOR UNDER THE COORDINATION OF THE ELECTRICAL CONTRACTOR. THE ELECTRICAL CONTRACTOR SHALL SUBMIT THE INSPECTION APPLICATION CHECKLIST DESCRIBED IN BS00C SPECIFICATION APPENDIX C
- 5.00 ALL IN GROUND HOPE DUCTS SHALL BE MARKED WITH ELECTRICAL MARKING TAPE AT 200mm BELOW FINISHED GROUND LEVEL. THE DUCTS MUST HAVE THE WORDS "PUBLIC LIGHTING" STAMPED AT 1 METER INTERVALS
- 6.00 THE LUMINAIRE WILL BE INDIVIDUALLY SWITCHED VIA A 5 PINT NEMA SOCKET, WITH ALL COMMUNICATION AND POWER CONNECTIONS MADE AT THE TIME OF ASSEMBLY BY THE MANUFACTURER, AS PER BS00C SPECIFICATION.
- 7.00 ALL OUTGOING CIRCUITS SHALL BE INDIVIDUALLY FUSED BY MEANS OF A 20A HRC CUT-OUT TYPE & CAPABLE OF ACCOMMODATING CABLE SIZES UP TO 35mm². THESE FUSES SHALL BE RATED 150A MINIMUM RUPPTURING CAPACITY & SHALL COMPLY WITH BS88HRC.
- 8.00 THE DETAILED CABLE DESIGN SHALL BE UNDERTAKEN TO MATCH THE CALCULATED ELECTRICAL LOAD WHICH WOULD TYPICALLY ALLOW BETWEEN 4 AND 8 FITTINGS TO BE SUPPLIED PER PHASE
- 9.00 THE CONTRACTOR SHALL NOTE THAT NO EXISTING PUBLIC LIGHTS CAN BE REMOVED WITHOUT THE PERMISSION & APPROVAL OF PUBLIC LIGHTING SERVICES.
- 10.00 THE CONTRACTOR SHALL CONTACT PUBLIC LIGHTING SERVICES AT LEAST 6 WEEKS IN ADVANCE OF WORKS STARTING ON SITE, TO FIND OUT WHAT IS REQUIRED TO BE DONE TO EXISTING PUBLIC LIGHTING THAT IS WITHIN THE SITE BOUNDARY.
- 11.00 WHERE PUBLIC ROADS ARE TO REMAIN IN USE, THEN THE PUBLIC LIGHTING MUST BE MAINTAINED BY THE CONTRACTOR IN AN OPERATING CONDITION THROUGHOUT THE DEVELOPMENT PERIOD.
- 12.00 COLUMNS LOCATED IN AREAS INACCESSIBLE TO STANDARD MAINTENANCE EQUIPMENT MUST BE BASE-ANGLED COLUMNS AS PER BS00C SPECIFICATIONS.

PRIVATE LIGHTING INSTALLATION NOTES

- 1.00 LIGHTING COLUMNS TO BE CONSTRUCTED OF TUBULAR OR OCTAGONAL STEEL WITH A FLAT STEEL DOOR WITH A MINIMUM WALL THICKNESS OF 3mm AND TO BE HOT DIPPED GALVANISED TO BS EN 1461.
- 2.00 ALL CABLEING TO PRIVATE EXTERNAL LIGHTING LOCATIONS TO BE WIRED UNDER IN2 SPECIFICATION.
- 3.00 ALL IN GROUND HOPE DUCTS TO BE INSTALLED BY THE MAIN CONTRACTOR UNDER THE COORDINATION OF THE ELECTRICAL CONTRACTOR AND SHALL BE MARKED WITH ELECTRICAL MARKING TAPE AT 300mm BELOW FINISHED GROUND LEVEL.
- 4.00 THE ELECTRICAL CONTRACTOR SHALL, PRIOR TO THE INSTALLATION, VERIFY THE CAPACITY OF THE IN-GROUND DUCT NETWORK TO THE MAIN CONTRACTOR.
- 5.00 LIGHTING TO BE SUPPLIED VIA A SOLAR TIME CLOCK WITHIN EACH PUBLIC LIGHTING MINI PILLAR.
- 6.00 ALL OUTGOING CIRCUITS SHALL BE INDIVIDUALLY FUSED BY MEANS OF A 20A HRC CUT-OUT TYPE & CAPABLE OF ACCOMMODATING CABLE SIZES UP TO 35mm². THESE FUSES SHALL BE RATED 150A MINIMUM RUPPTURING CAPACITY & SHALL COMPLY WITH BS88HRC.
- 7.00 THE DETAILED CABLE DESIGN SHALL BE UNDERTAKEN TO MATCH THE CALCULATED ELECTRICAL LOAD WHICH WOULD TYPICALLY ALLOW BETWEEN 4 AND 8 FITTINGS TO BE SUPPLIED PER PHASE.
- 8.00 PRIVATE LIGHTING IS TO BACKED UP BY GENERATOR. THE CONTRACTOR MUST ENSURE THAT THE CABLEING USED FOR PRIVATE LUMINAIRE SUPPLIED FROM THE GENERATOR ARE FIRE RESISTANT AND IN ACCORDANCE WITH THE IN2 LV SCHEMATICS.

EXISTING ELECTRICAL SITE DUCTING REFERENCE KEY

--- 2 No. EXISTING Ø107mm PUBLIC LIGHTING DUCTS

PUBLIC SITE DUCTING REFERENCE KEY

--- Ø107mm HIGH IMPACT DUCTS FOR PUBLIC SITE LIGHTING CABLEING

PUBLIC SITE LIGHTING REFERENCE KEY

--- PROPOSED PUBLIC LIGHTING CIRCUIT

X3 (8m) → 62W LED LUMINAIRE MOUNTED ON 8M COLUMN

X4 (6m) → 45 SW LED LUMINAIRE MOUNTED ON 6M COLUMN

EX → EXISTING - LED LUMINAIRE MOUNTED ON 8M COLUMN

● LIGHTING COLUMN

PL-XX PUBLIC LIGHT NUMBER XX

PRIVATE SITE DUCTING REFERENCE KEY

--- Ø107mm HIGH IMPACT DUCTS FOR PRIVATE SITE LIGHTING CABLEING

PRIVATE SITE LIGHTING REFERENCE KEY

--- PROPOSED PRIVATE LIGHTING CIRCUIT

X4 (6m) → 45 SW LED LUMINAIRE MOUNTED ON 6M COLUMN

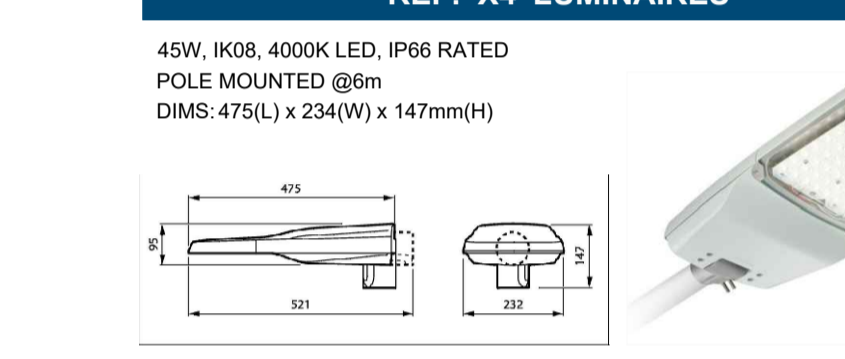
X5 (4m) → 21W LED PRIVATE LUMINAIRE MOUNTED ON 4M COLUMN

● LIGHTING COLUMN

DOOR ACCESS SYSTEM REFERENCE KEY

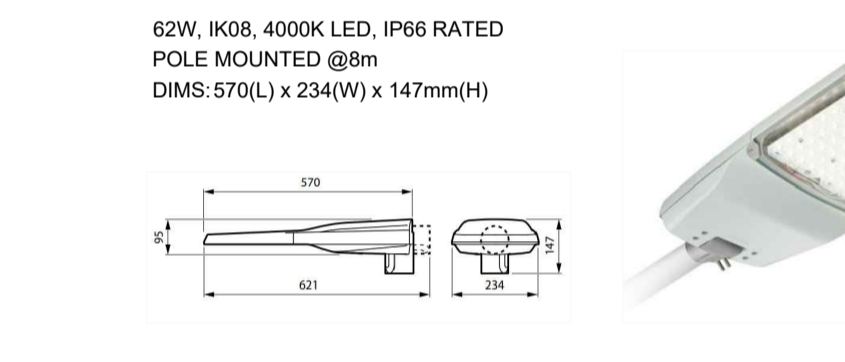
- EXTERNAL AUDIO INTERCOM UNIT c/w KEYPAD & FOB ACCESS
- GREEN BREAK GLASS UNIT FOR EMERGENCY RELEASE
- EXISTING DOOR ACCESS REQUEST TO EXIT BUTTON (STAINLESS STEEL FINISH)
- TRANSMAGNETIC DOOR LOCKS C/W INTEGRAL INTRUDER ALARM CONTACTS
- CR SALT PROXIMITY CARD READER
- EXISTING EXTERNAL DOOR ELECTRO STRIKE LOCK C/W INTRUDER ALARM CONTACTS
- EXISTING EXTERNAL CCTV CAMERA TYPE 1

REF: 'X4' LUMINAIRE

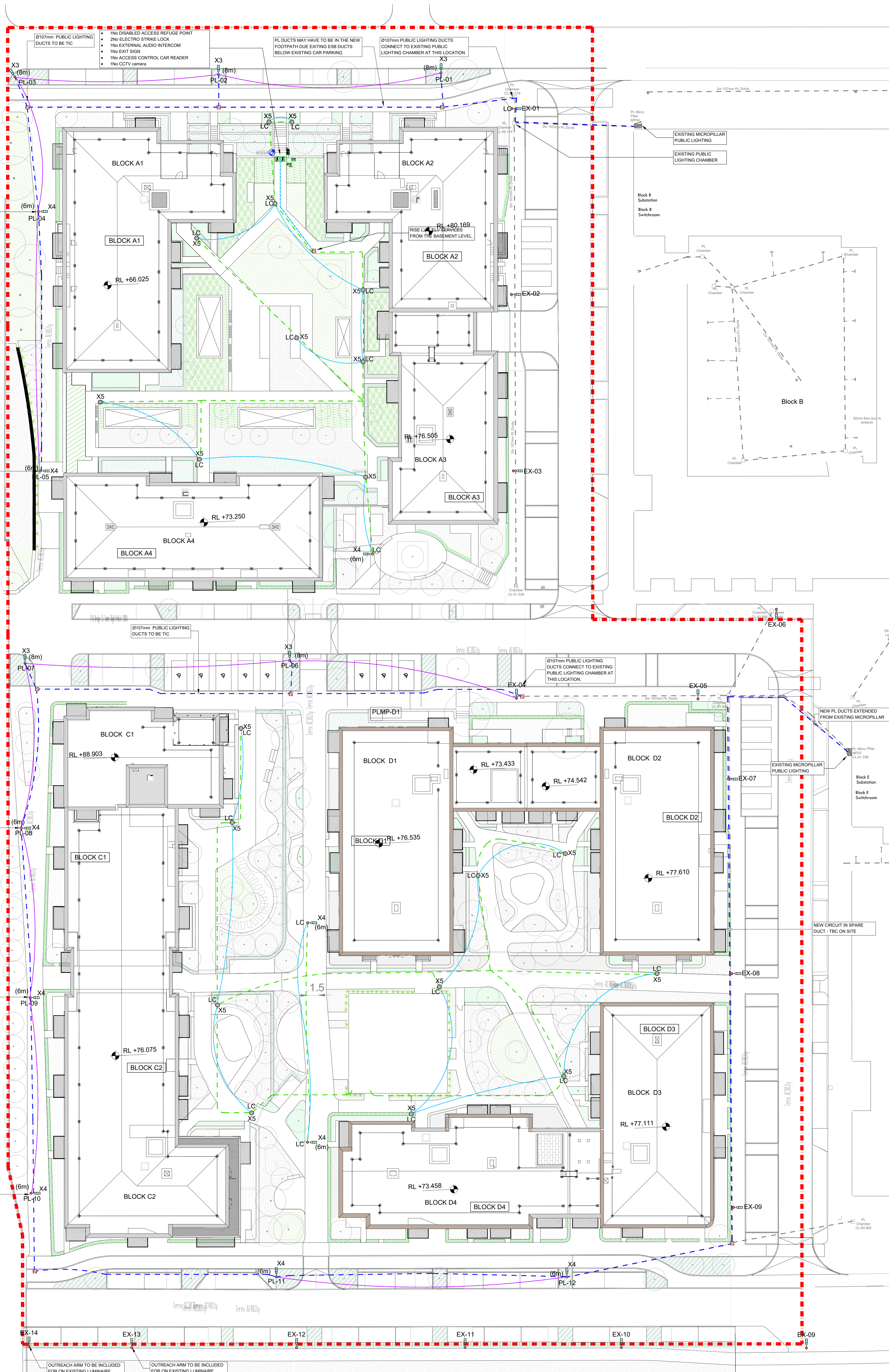


AS PER LUMINAIRE SCHEDULE

REF: 'X3' LUMINAIRE



AS PER LUMINAIRE SCHEDULE



STATUS	DATE	DESCRIPTION	DRN	ENG	APP	REV
S2	02.07.2024	PLANNING AMENDMENT	DS	LVR	JR	P01