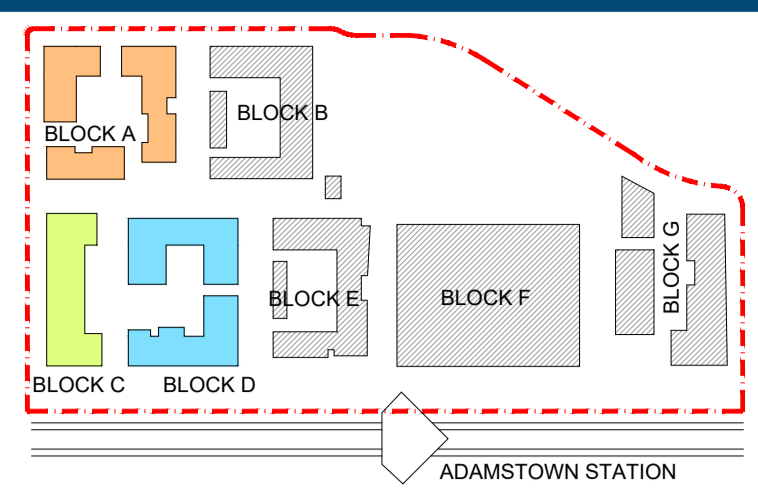
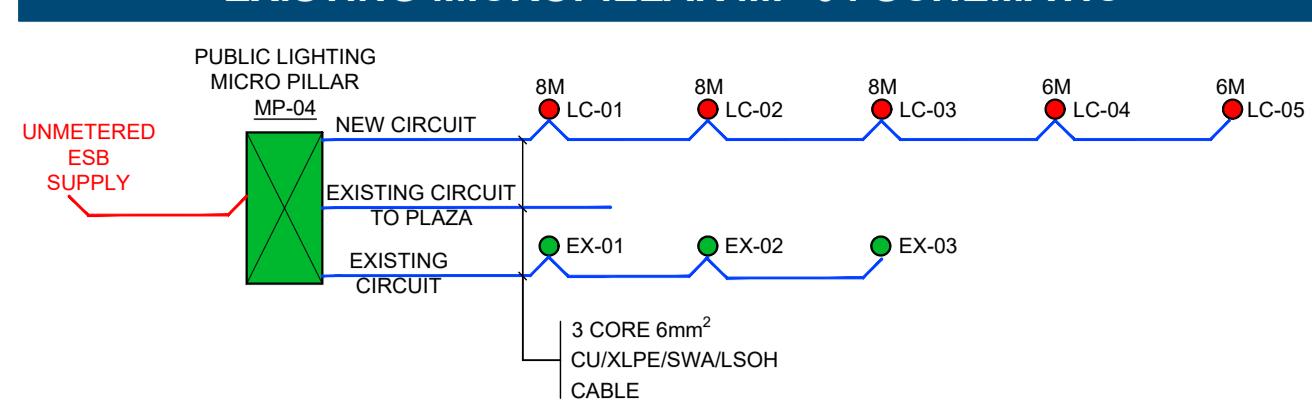


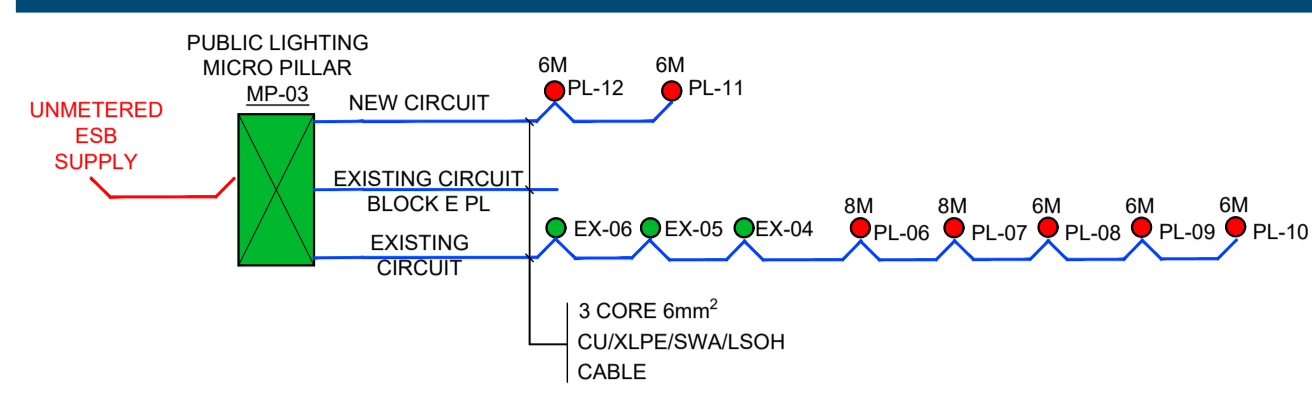
KEYPLAN ADAMSTOWN STATION BLOCKS ACD



EXISTING MICROPILLAR MP-04 SCHEMATIC



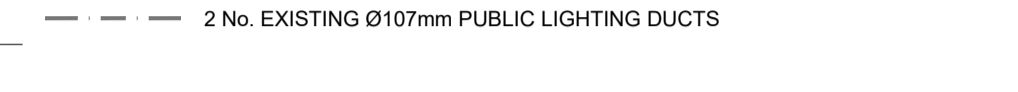
EXISTING MICROPILLAR MP-03 SCHEMATIC



PUBLIC LIGHTING INSTALLATION NOTES

- 1.00 THIS DRAWING NEEDS TO BE REVIEWED IN CONJUNCTION WITH THE IN2 LUMINAIRES SCHEDULE.
- 2.00 LIGHTING COLUMNS TO BE CONSTRUCTED OF TUBULAR OR OCTAGONAL STEEL WITH A FLAT STEEL DOOR WITH A MINIMUM WALL THICKNESS OF 3mm AND TO BE HOT DIPPED GALVANISED TO BS EN 1461 AS PER SOCC LIGHTING SPECIFICATION.
- 3.00 ALL CABLEING TO EXTERNAL LIGHTING LOCATIONS TO BE WIRED WITH PVCY CABLE TO DIN VDE 0296/60 (0.6KV), SUITABLY SIZED. STEEL WIRE ARMOUR (SWA) IS NOT ACCEPTED AS SHALL BE AS PER SOCC PUBLIC LIGHTING SECTION REV. 2016 CONTAINED IN SINGLE WALLED, COLOUR RED, HD PE DUCTS, WHICH SHALL BE 107mm OUTER DIAMETER WITH A WALL THICKNESS OF 5mm.
- 4.00 ALL IN GROUND HOPE DUCTS TO BE INSTALLED BY THE MAIN CONTRACTOR UNDER THE COORDINATION OF THE ELECTRICAL CONTRACTOR. THE ELECTRICAL CONTRACTOR SHALL SUBMIT THE INSPECTION APPLICATION CHECK LIST DESCRIBED IN SOCC SPECIFICATION APPENDIX C.
- 5.00 ALL IN GROUND HOPE DUCTS SHALL BE MARKED WITH ELECTRICAL MARKING TAPE AT 300mm BELOW FINISHED GROUND LEVEL. THE DUCTS MUST HAVE THE WORDS 'PUBLIC LIGHTING' STAMPED AT 1 METER INTERVALS.
- 6.00 THE LUMINAIRE WILL BE INDIVIDUALLY SWITCHED VIA A 5 PINT NEMA SOCKET, WITH ALL COMMUNICATION AND POWER CONNECTIONS MADE AT THE TIME OF ASSEMBLY BY THE MANUFACTURER, AS PER SOCC SPECIFICATION.
- 7.00 ALL OUTGOING CIRCUITS SHALL BE INDIVIDUALLY FUSED BY MEANS OF A 20A-HRC CUT-OUT TYPE A CAPABLE OF ACCOMMODATING CABLE SIZES UP TO 35mm². THESE FUSES SHALL BE RATED 150A MINIMUM RUP/TURPING CAPACITY & SHALL COMPLY WITH 588BHC.
- 8.00 THE DETAILED CABLE DESIGN SHALL BE UNDERTAKEN TO MATCH THE CALCULATED ELECTRICAL LOAD WHICH WOULD TYPICALLY ALLOW BETWEEN 4 AND 6 FITTINGS TO BE SUPPLIED PER PHASE.
- 9.00 THE CONTRACTOR SHALL NOTE THAT NO EXISTING PUBLIC LIGHTS CAN BE REMOVED WITHOUT THE PERMISSION & APPROVAL OF PUBLIC LIGHTING SERVICES.
- 10.00 THE CONTRACTOR SHALL CONTACT PUBLIC LIGHTING SERVICES AT LEAST 8 WEEKS IN ADVANCE OF WORKS STARTING ON SITE TO FIND OUT WHAT IS REQUIRED TO BE DONE TO EXISTING PUBLIC LIGHTING THAT IS WITHIN THE SITE BOUNDARY.
- 11.00 WHERE PUBLIC ROADS ARE TO REMAIN IN USE, THEN THE PUBLIC LIGHTING MUST BE MAINTAINED BY THE CONTRACTOR IN AN OPERATING CONDITION THROUGHOUT THE DEVELOPMENT PERIOD.
- 12.00 COLUMNS LOCATED IN AREAS INACCESSIBLE TO STANDARD MAINTENANCE EQUIPMENT MUST BE BASE-HINGED COLUMNS AS PER SOCC SPECIFICATIONS.

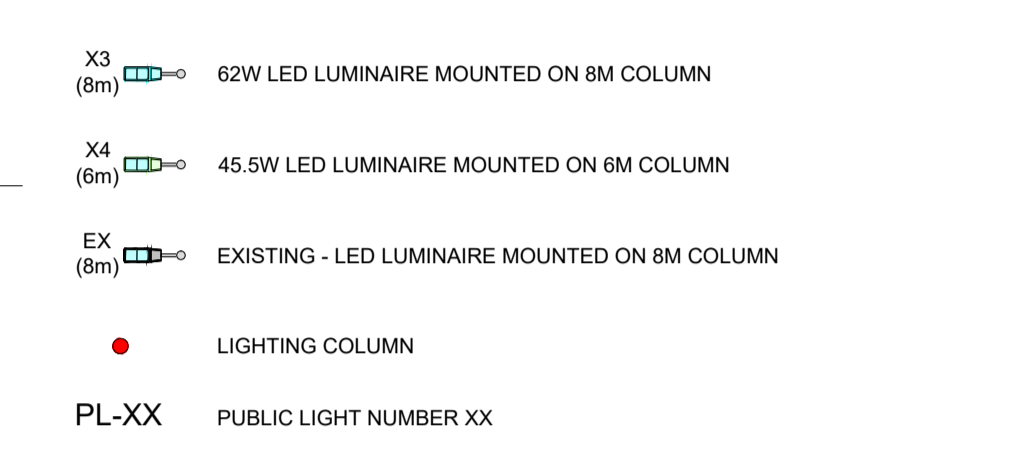
EXISTING ELECTRICAL SITE DUCTING REFERENCE KEY



PUBLIC SITE DUCTING REFERENCE KEY



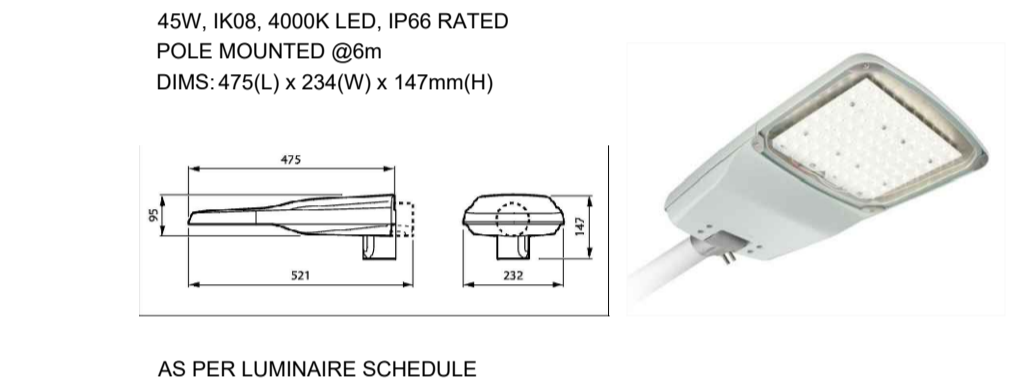
PUBLIC SITE LIGHTING REFERENCE KEY



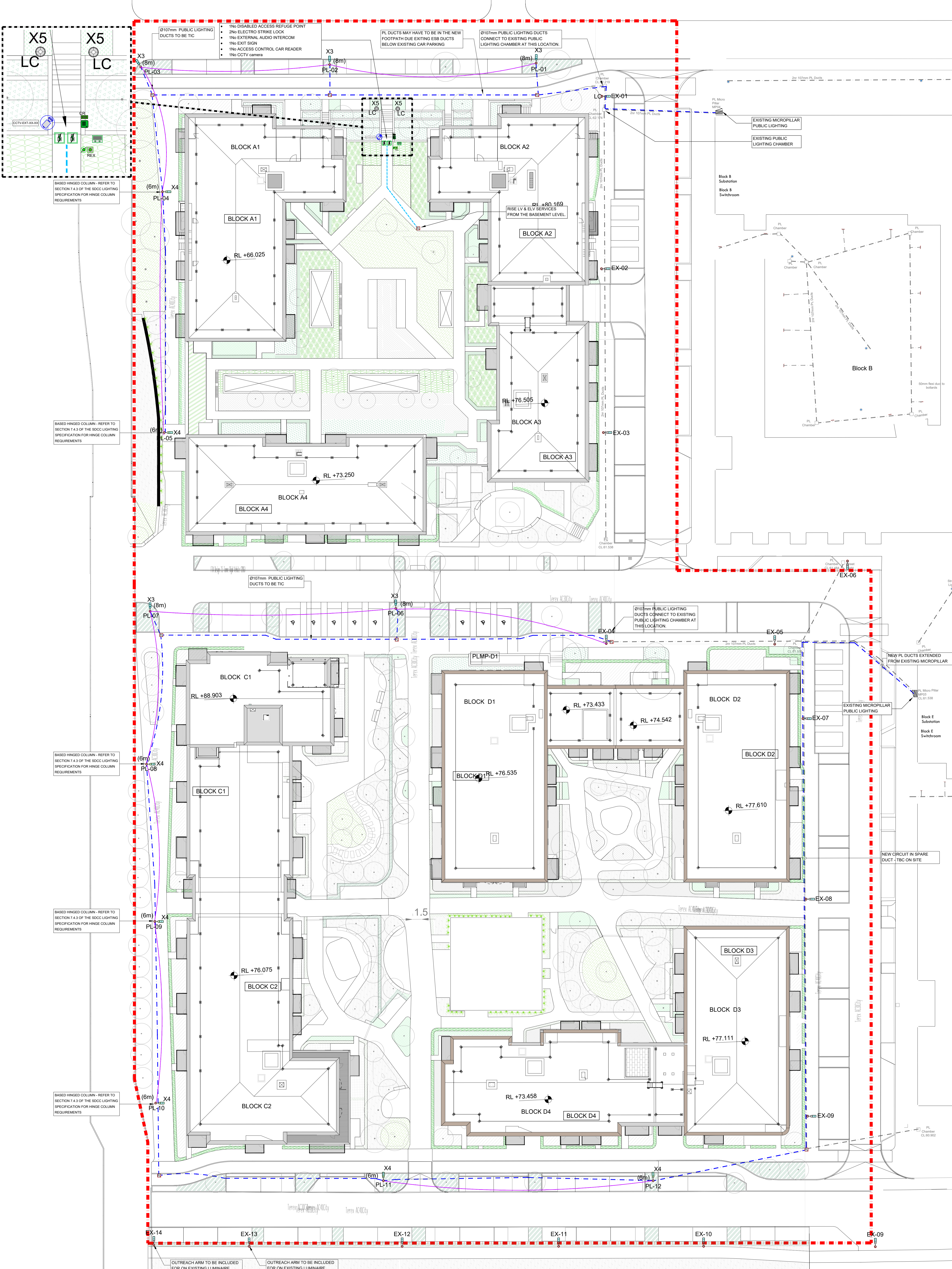
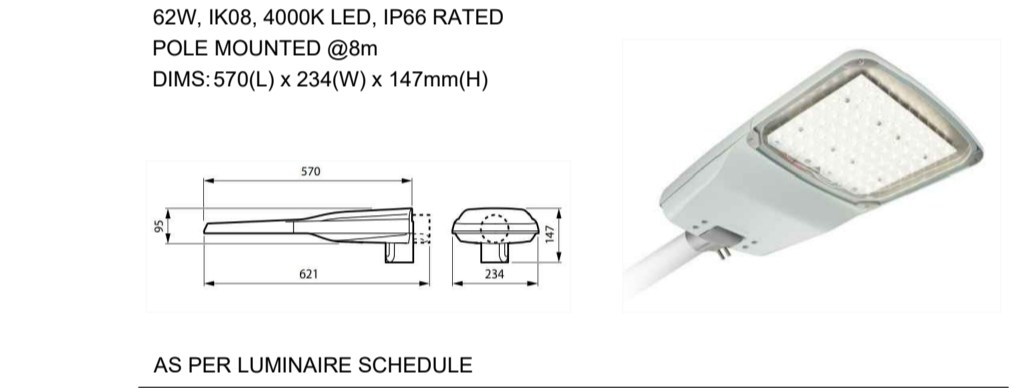
DOOR ACCESS SYSTEM REFERENCE KEY

- EXTERNAL AUDIO INTERCOM UNIT w/ KEYPAD & FOR ACCESS
- GREEN BREAK GLASS UNIT FOR EMERGENCY RELEASE
- DOOR ACCESS REQUEST TO EXIT BUTTON (STAINLESS STEEL FINISH)
- TRANSFORMAGNETIC DOOR LOCKS CW INTEGRAL INTRUDER ALARM CONTACTS
- SALTO PROXIMITY CARD READER
- EXTERNAL DOOR ELECTRO STRIKE LOCK CW INTRUDER ALARM CONTACTS
- EXTERNAL CCTV CAMERA TYPE 1

REF: 'X4' LUMINAIRES



REF: 'X3' LUMINAIRES



STATUS	DATE	DESCRIPTION	DRN	ENG	APP	REV
S2	02.07.2024	PLANNING AMENDMENT	DS	LVR	JR	P01