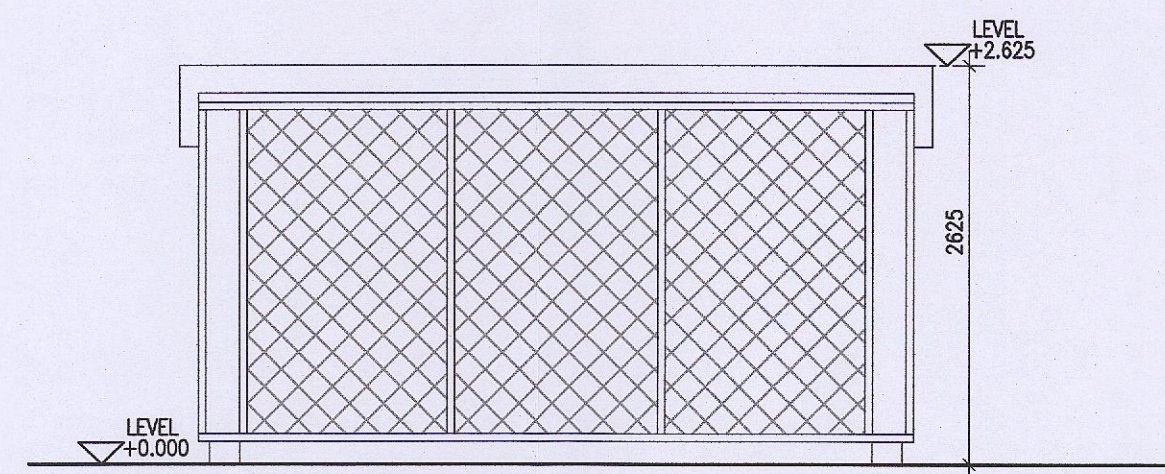
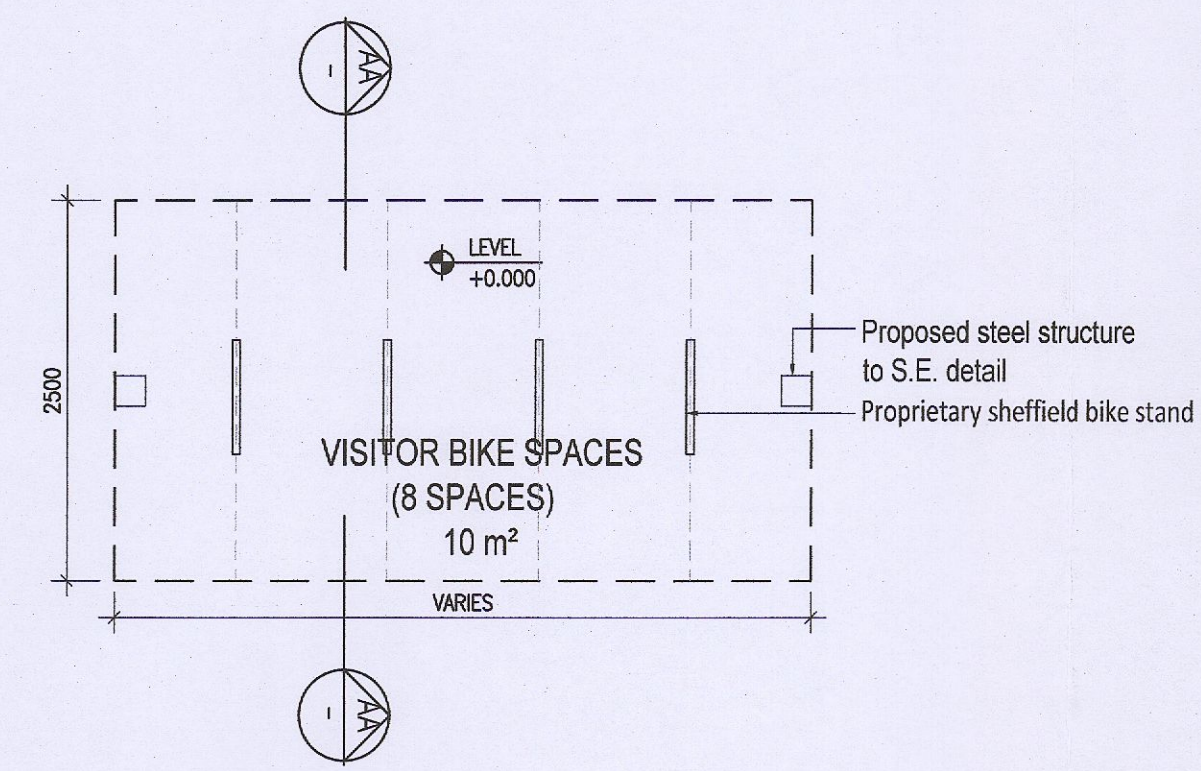


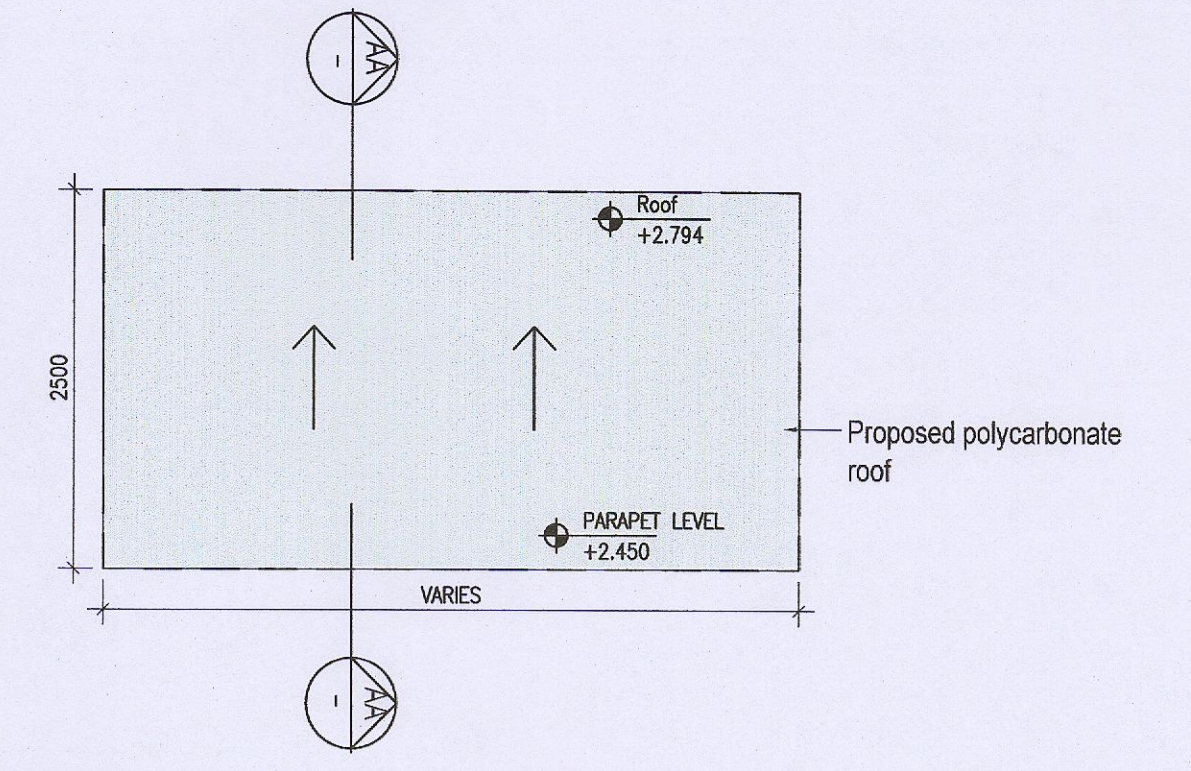
01 Proposed Cargo Bicycle Parking Type 3 - Ground Plan  
1:50@A1



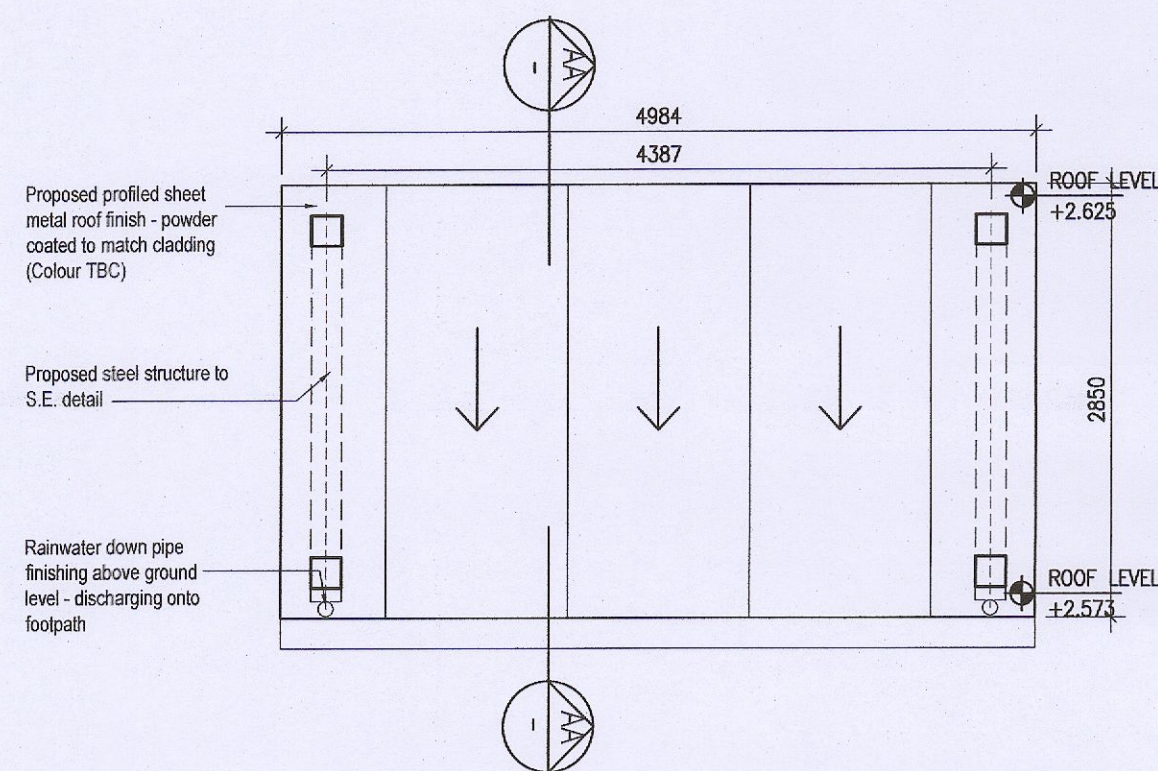
04 Proposed Cargo Bicycle Parking Type 3 - Elevation B  
1:50@A1



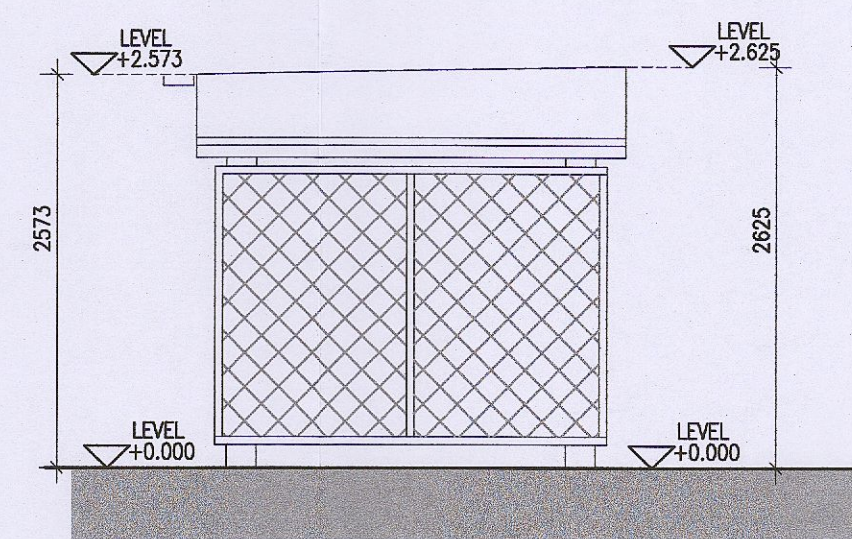
01 Proposed Visitor Bicycle Shelter Type 4 - Ground Plan  
1:50@A1



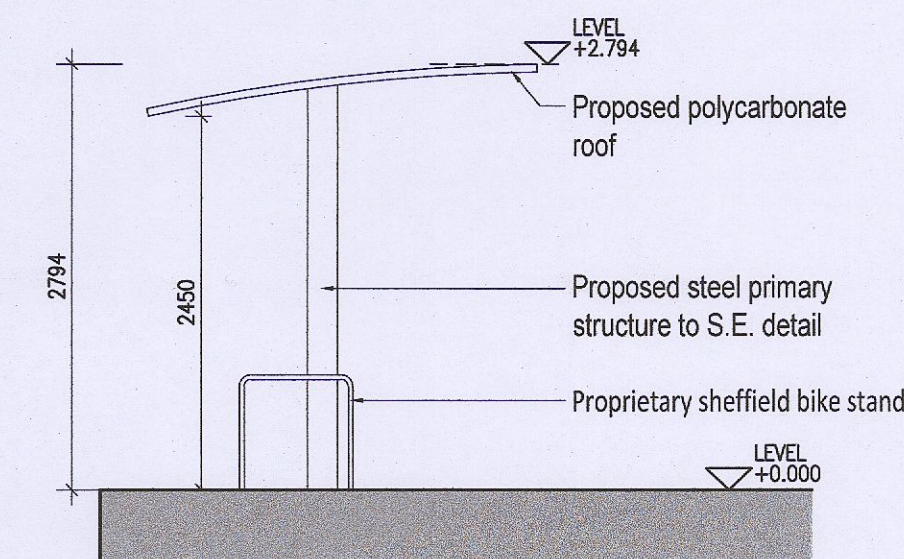
02 Proposed Visitor Bicycle Shelter Type 4 - Roof Plan  
1:50@A1



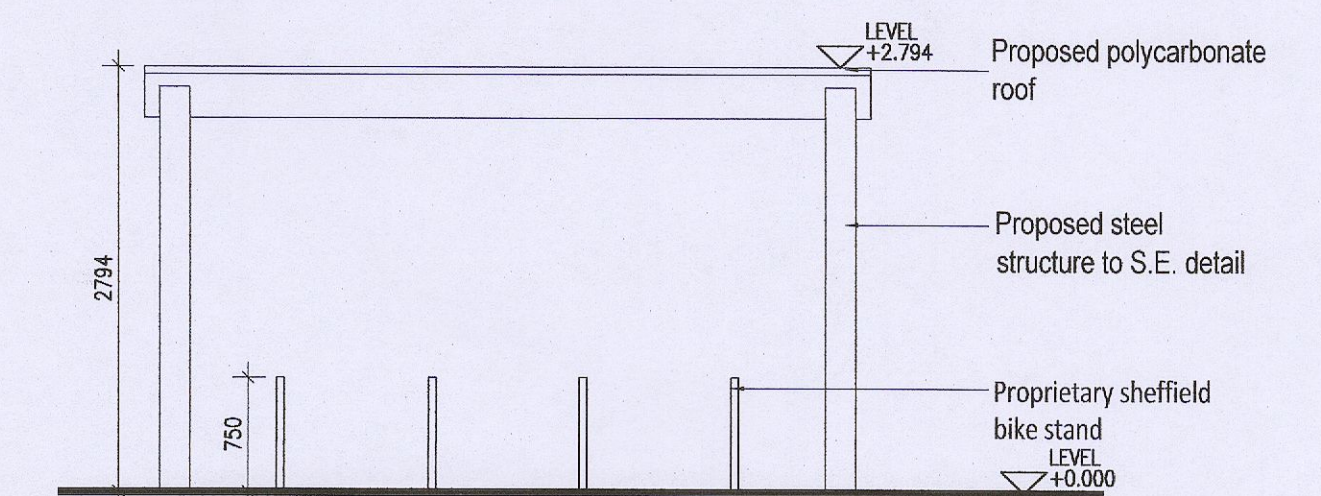
02 Proposed Cargo Bicycle Parking Type 3 - Roof Plan  
1:50@A1



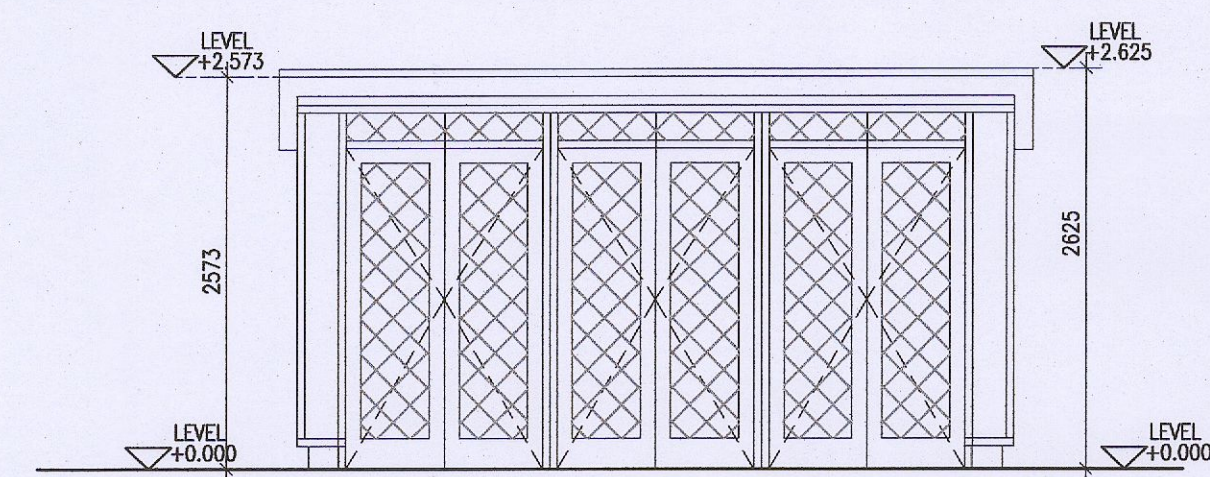
05 Proposed Cargo Bicycle Parking Type 3 - Elevation C  
1:50@A1



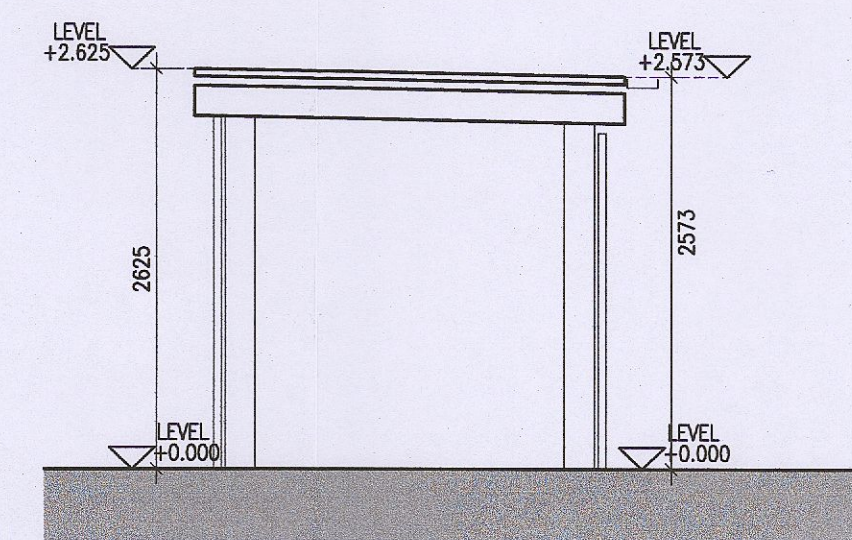
03 Proposed Visitor Bicycle Shelter Type 4 - Section  
1:50@A1



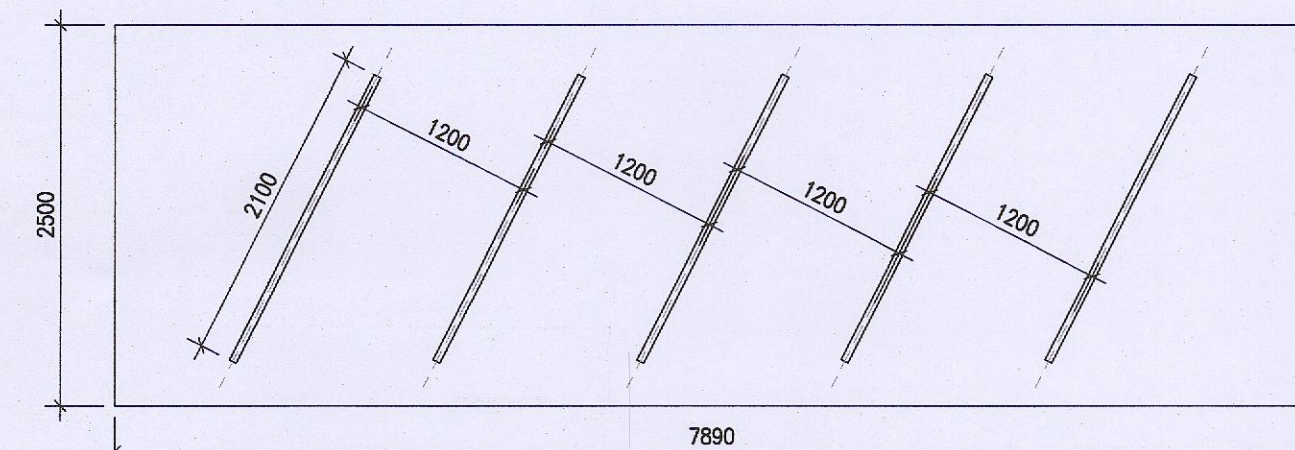
04 Proposed Visitor Bicycle Shelter Type 4 - Elevation  
1:50@A1



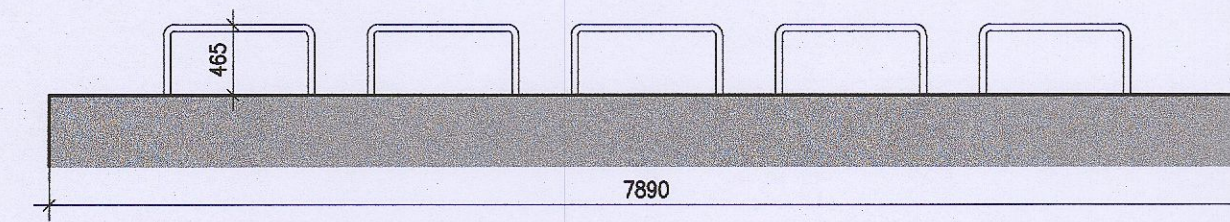
03 Proposed Cargo Bicycle Parking Type 3 - Elevation A  
1:50@A1



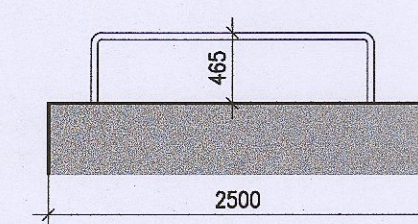
06 Proposed Cargo Bicycle Parking Type 3 - Section A-A  
1:50@A1



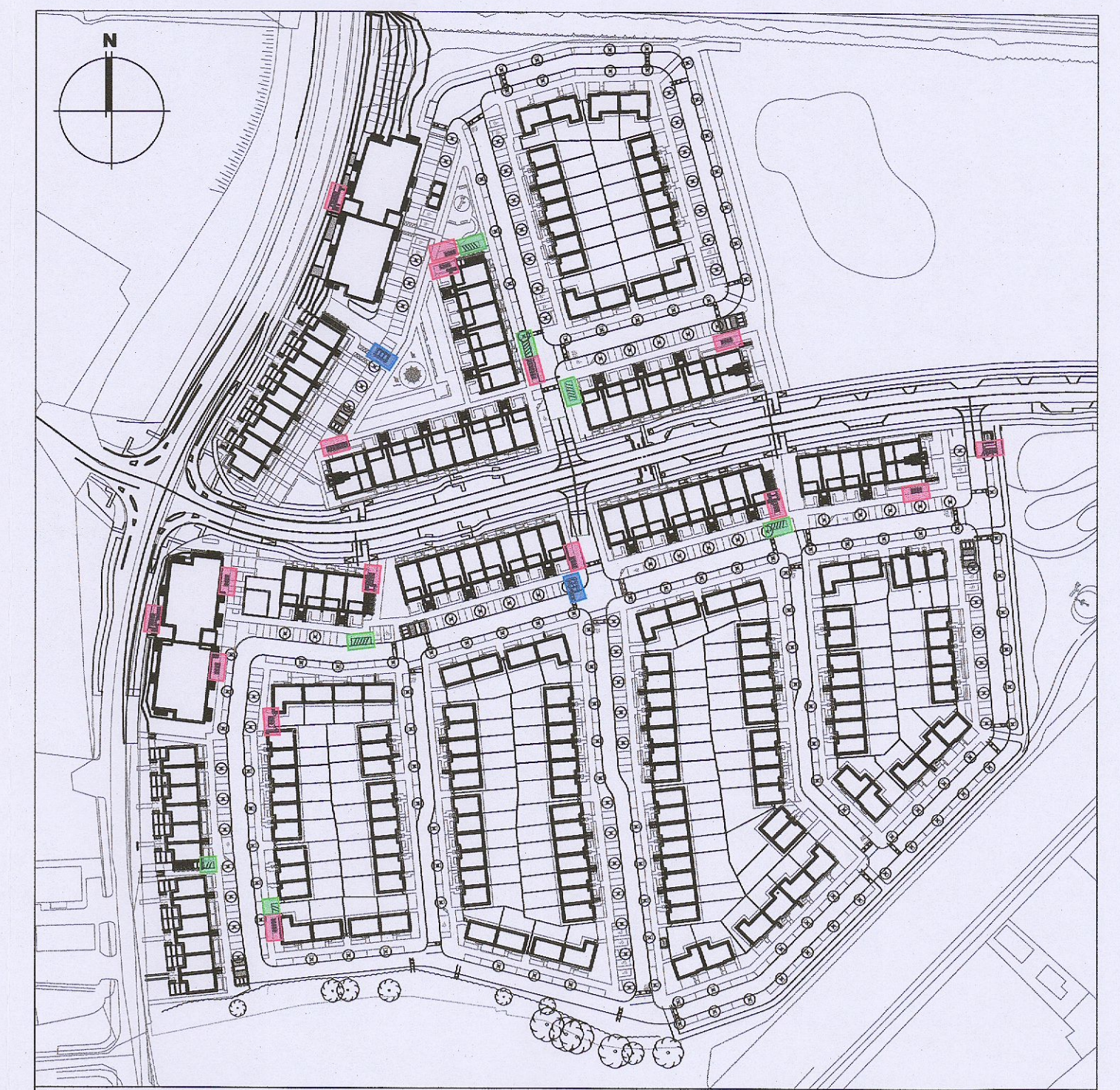
01 Proposed Cargo Parking Type 5 - Ground Plan  
1:50@A1



02 Proposed Cargo Parking Type 5 - Front Elevation  
1:50@A1



03 Proposed Cargo Parking Type 5 - Side Elevation  
1:50@A1



**BICYCLE STORES TYPE 3, 4 & 5**

Notes	Issue Status
1. Copyright Reserved	
2. Work to figured dimensions only. Do not scale drawing.	
3. The contractor is responsible for checking all levels and dimensions on site and shall refer all discrepancies to the Architect.	
4. Where appropriate, for details of r.c. structure, or mechanical and electrical details, see Engineers drawings.	
5. Proprietary items shall be fixed in strict accordance with manufacturers instructions.	
6. Sizes of proprietary items shall be checked with manufacturer.	
7. The contractor shall be responsible for the coordination of structure, finishes and services.	
	Progress
	Planning Application
	Fire Cert
	Disability Cert
	Tender
	Construction
	As Built
	Information Only

No.	Date	Revision	Initials
01	27/01/23	Planning Application	AM
02	01/11/23	RRI Submission	HT

Project: Adamstown Extension - Clonburris SDZ Residential Development

Drawing Title: Bicycle Store Details Type 3, 4 & 5

Drawing No: 6268-P-702

Scale: 1:50@A1 Rev: 02 Drawn: AM Date: Jan'23

bkdarchitects  
BURKE-KENNEDY DOYLE