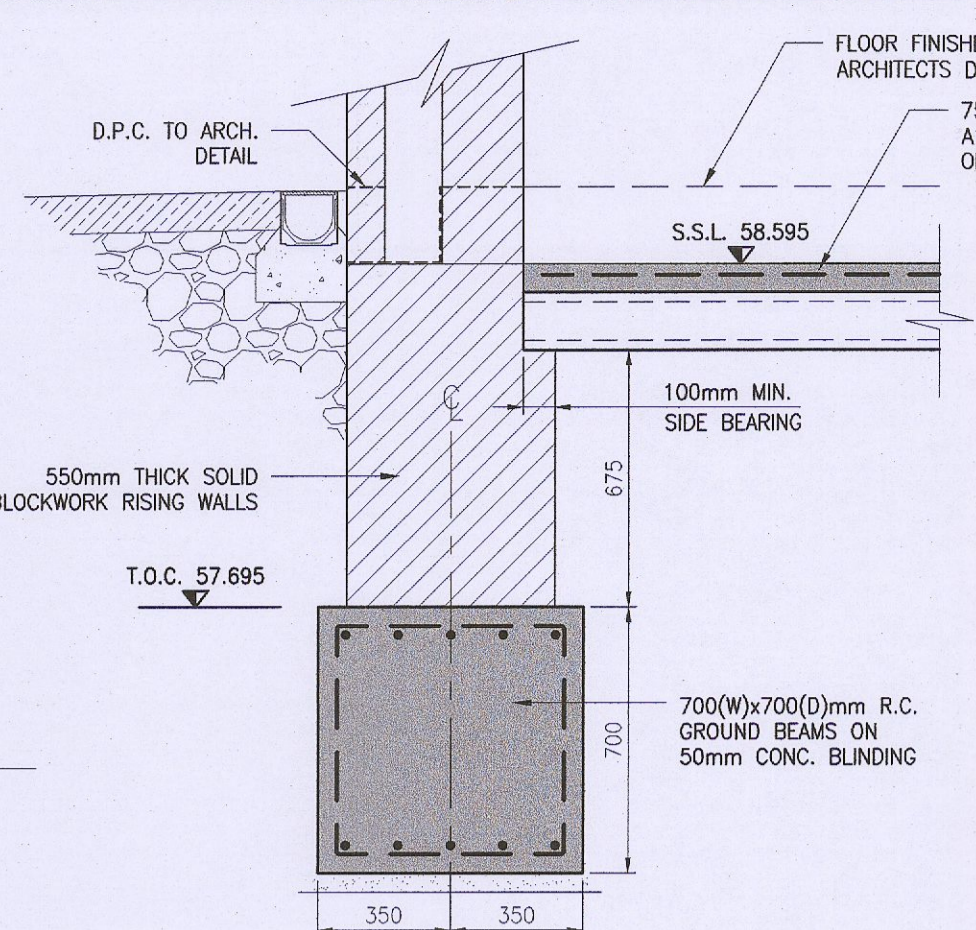


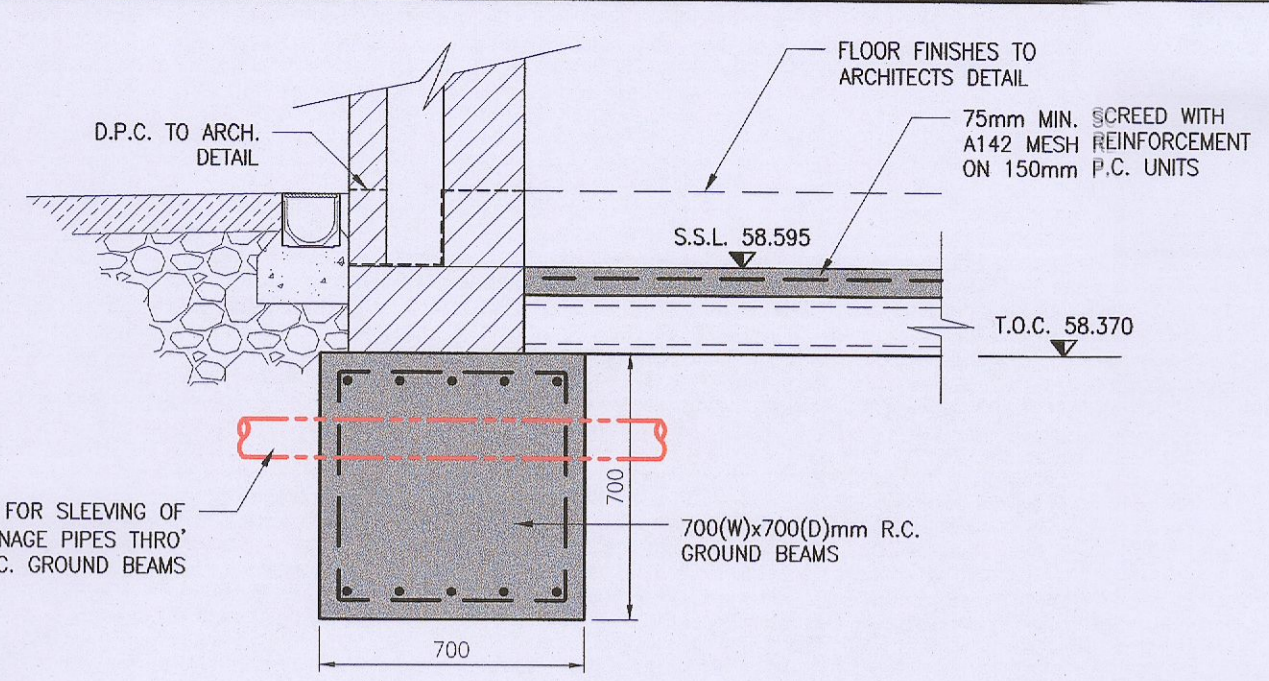
STEEL TABLE				
MEMBER	DEPTH	WIDTH	MASS/THICKNESS	COMMENTS
P1	80	80	6	SHS
P2	100	100	6.3	SHS

MEMBER SCHEDULE	
MEMBER	COMMENTS
F1	500x500x300mm DEEP PAD FOUNDATION
PL1	219mm CONCRETE PILES BY SPECIALIST DESIGN - TOTAL LOAD = 250KN

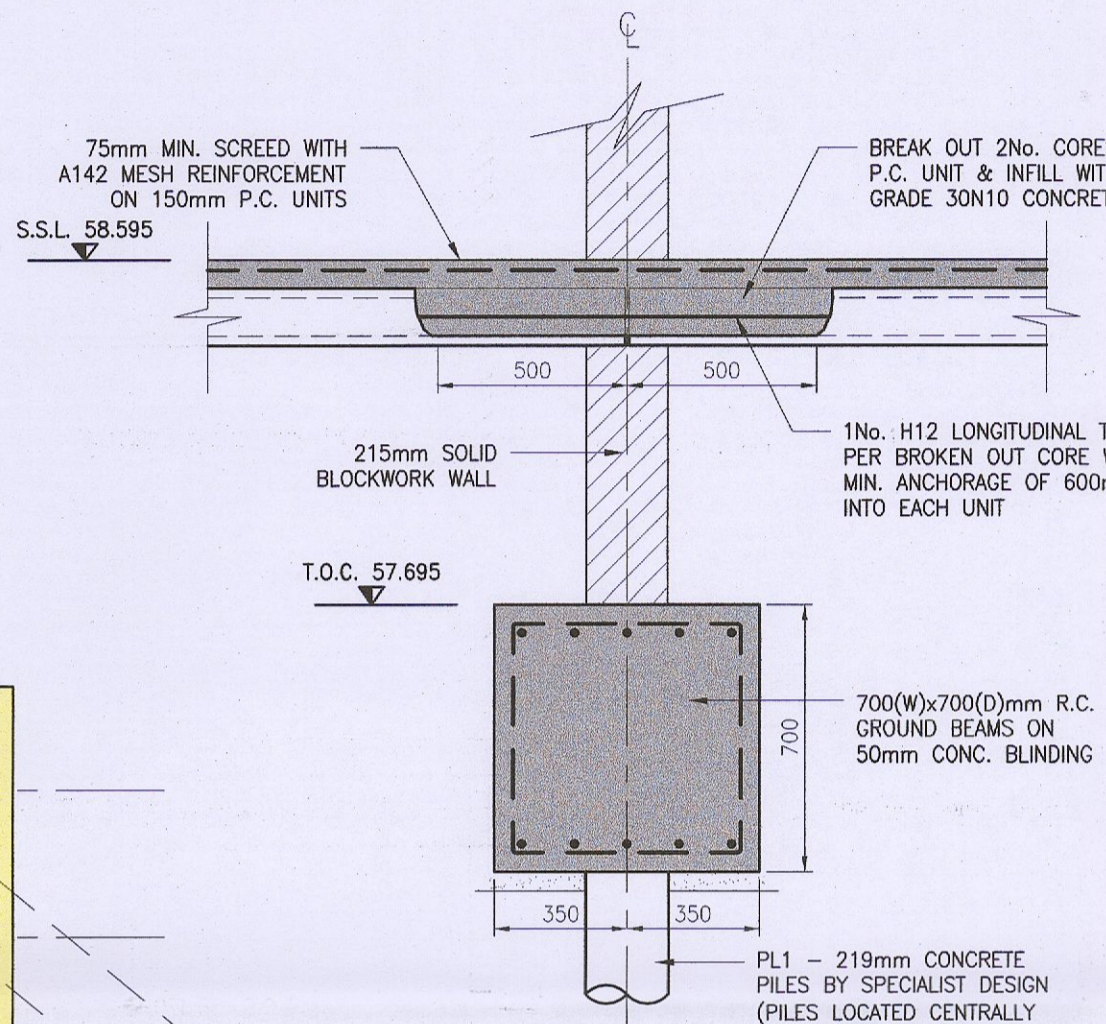
FOUNDATION LAYOUT
SCALE 1:50



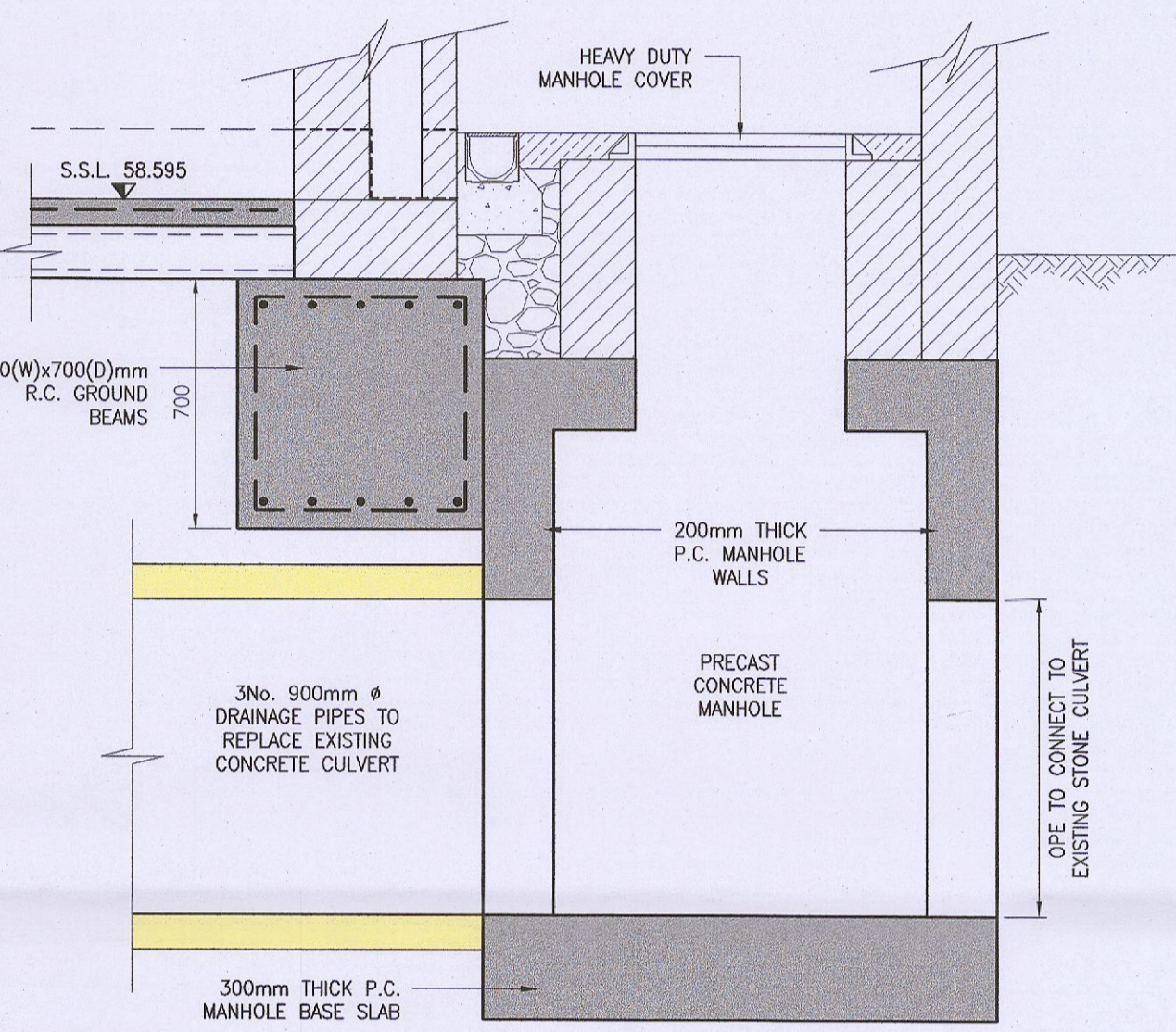
TYPICAL SECTION THRO' EXTERNAL LOAD BEARING WALLS
SCALE 1:20



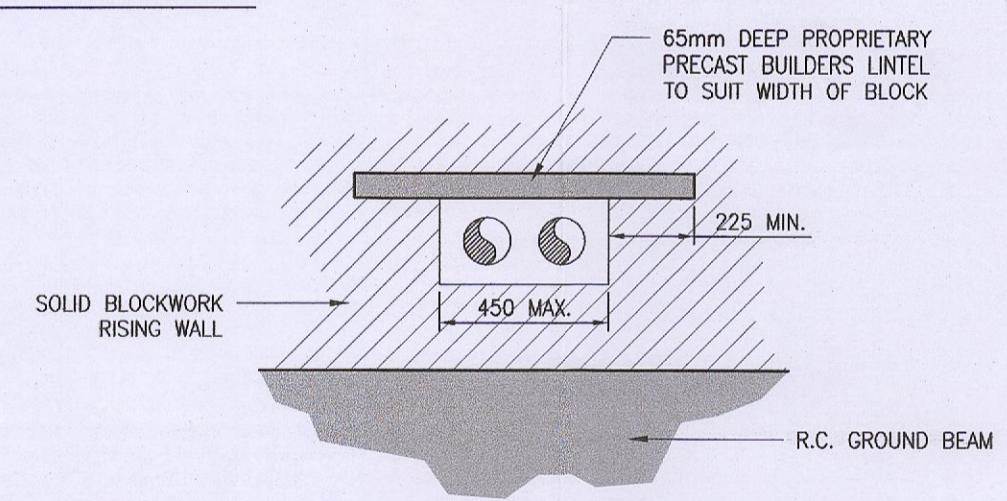
TYPICAL SECTION THRO' GROUND BEAM OVER DRAINAGE PIPES
SCALE 1:20



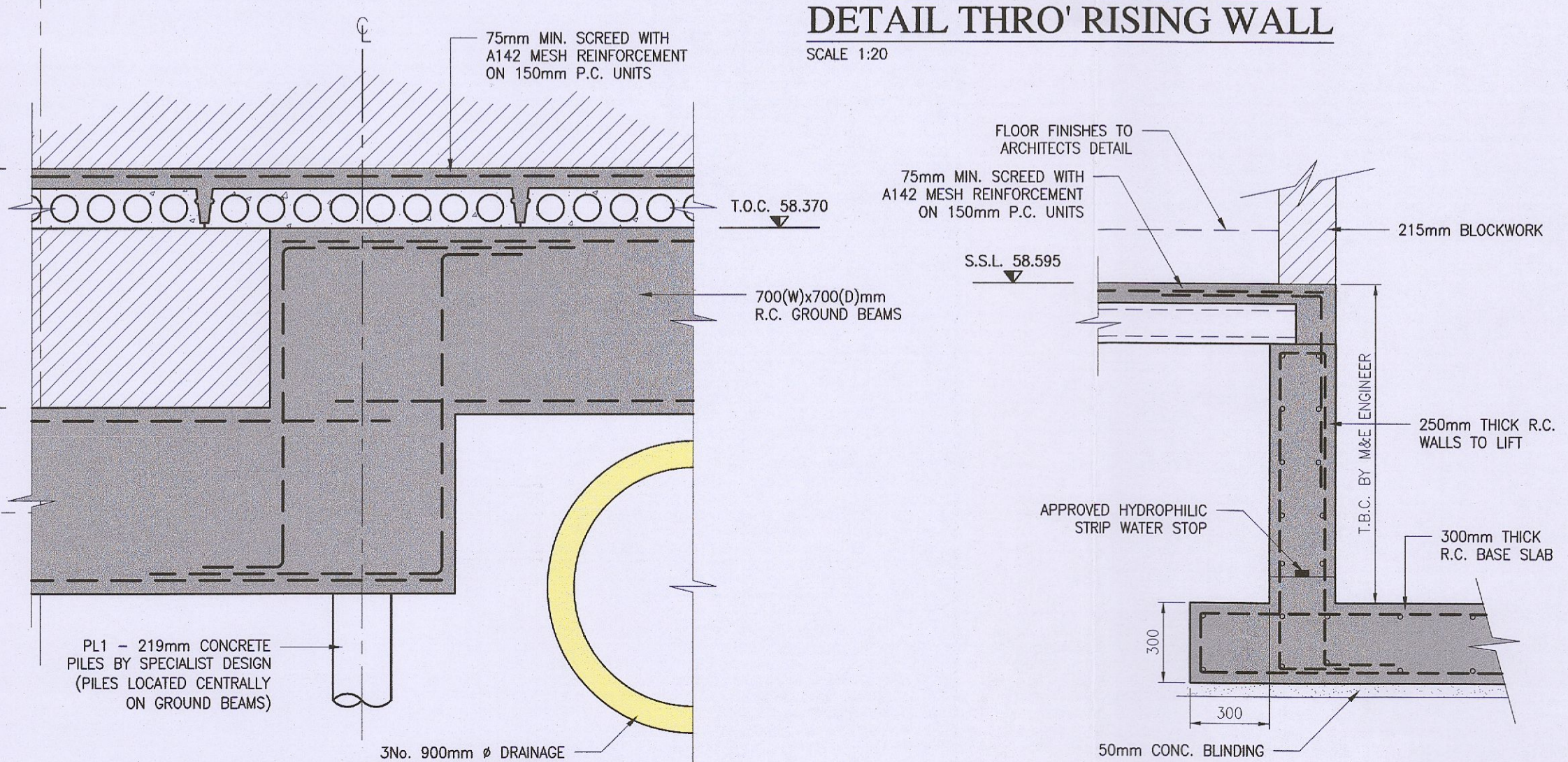
TYPICAL SECTION THRO' INTERNAL PARTY WALLS
SCALE 1:20



SECTION B-B
SCALE 1:20



TYPICAL SERVICE OPE DETAIL THRO' RISING WALL
SCALE 1:20



TYPICAL SECTION THRO' LIFT PIT
SCALE 1:20

NOTE: ALLOW FOR SLEEVING OF DRAINAGE PIPES THRO' R.C. GROUND BEAMS

REV	DATE	DESCRIPTION	DWG BY	APP BY
T	30.06.22	ISSUED FOR TENDER	ROC	DH

ISSUED

TENDER

CLIENT
DUBLIN SIMON COMMUNITY

PROJECT NAME
10 UNITS AT OLD NANGOR ROAD

DRAWING NAME
FOUNDATION LAYOUT & DETAILS

PROJECT No.
17D070

DRAWING No. 10	REVISION T
--------------------------	----------------------

SCALE
AS SHOWN

DRAWN DATE
21.11.2017

CAD DRAWN BY D.W	CHECKED BY R.O.C	APPROVED BY R.H
---------------------	---------------------	--------------------

HAYES HIGGINS PARTNERSHIP
The Glass House, 11 Coke Lane
Smithfield, Dublin 7. Tel: 01 6612321
E-mail: admin@hayeshiggins.ie
Gas House Lane, Kilkenny. Tel: (056) 7764710
Email: info@hhp.ie