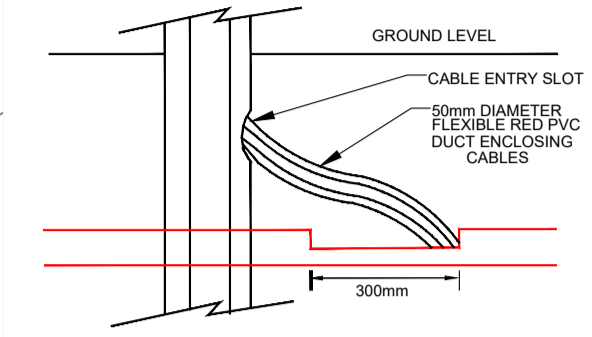


Mounting Height	Column Base	Shaft (for tubular columns)	Planting Depth	Outreach Bracket
6 metre	140mm O.D.	76mm O.D.	1 metre	1 metre
8 metre	168mm O.D.	68mm O.D.	1.3 metre	1.5 metre

PUBLIC LIGHTING COLUMN DETAIL SCHEDULE			
COLUMN MOUNTING HEIGHT:	10M	8M	6M
ROOT DEPTH -	1.5M	1.2M	1.0M
CABLE ENTRY DEPTH -	0.3M	0.3M	0.3M
ROOTING CONCRETE DEPTH -	0.8M	0.7M	0.5M
HEIGHT OF COLUMN DOOR -	1.5M	1.5M	1.5M



STREET LIGHT POLE - CABLING INTERFACE INSTALLATION DETAIL

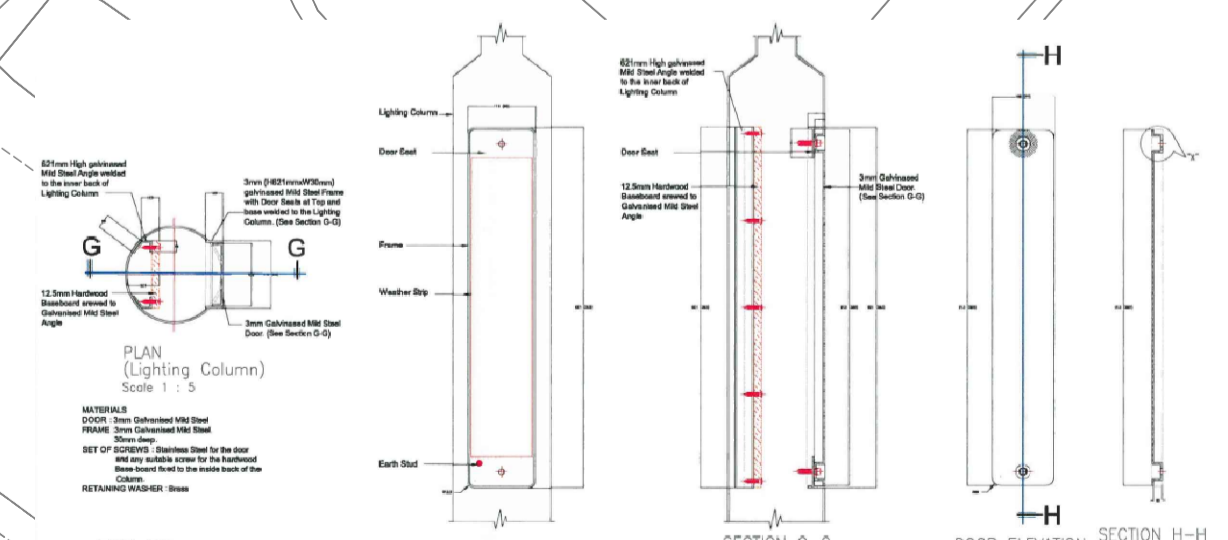
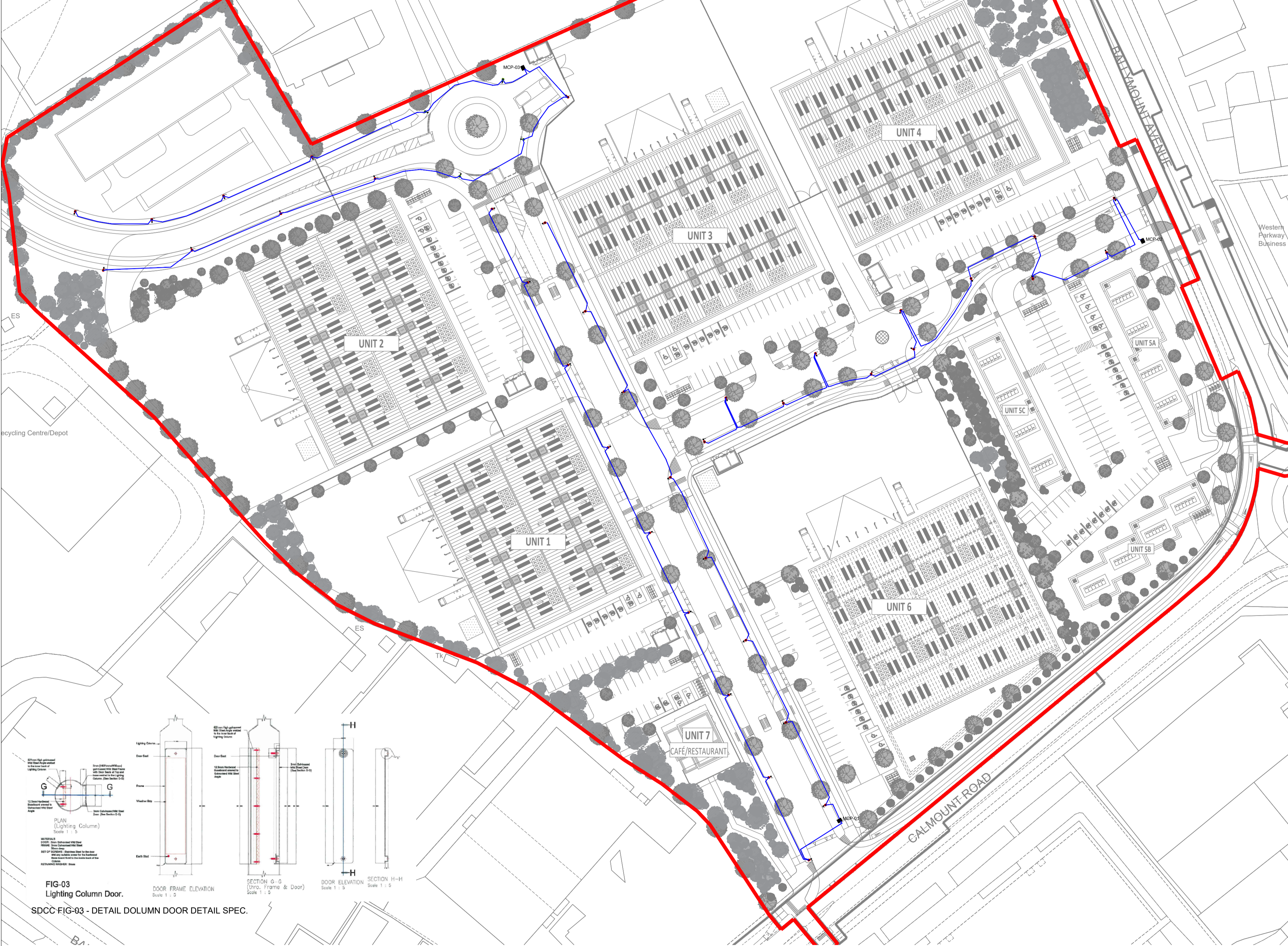
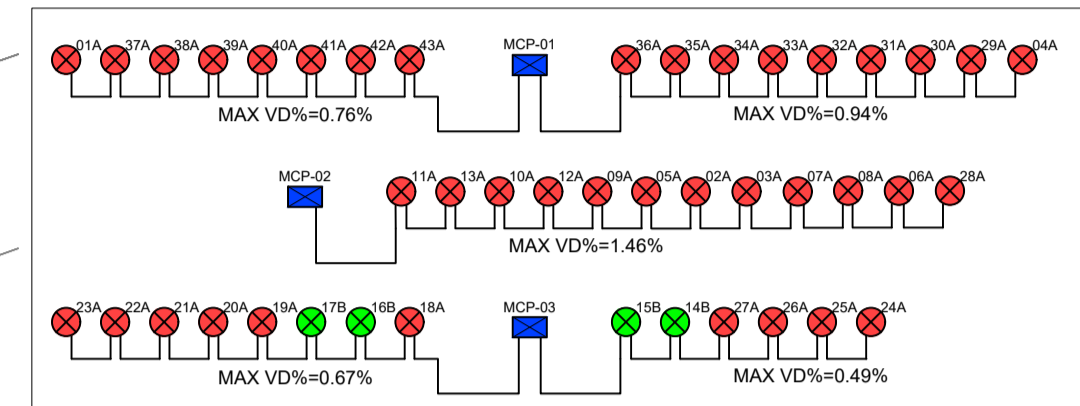
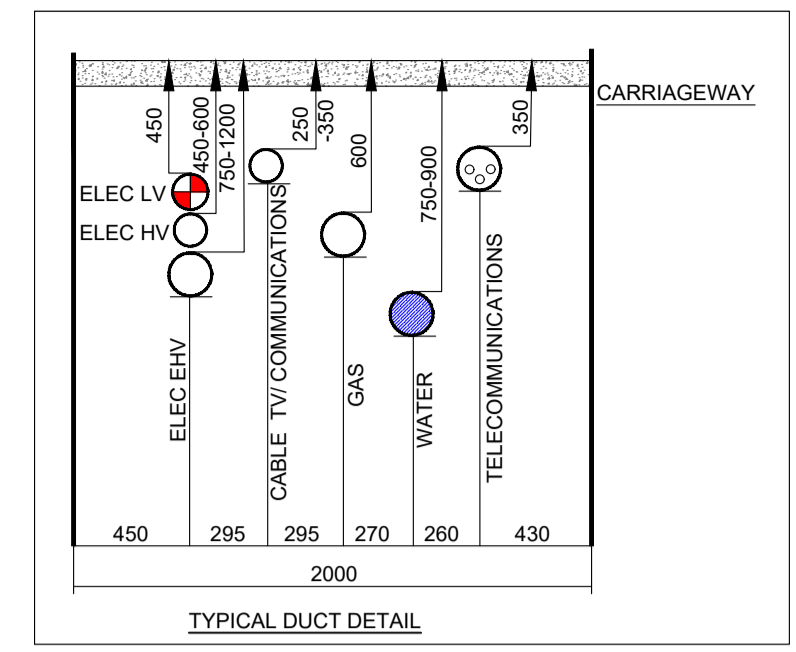
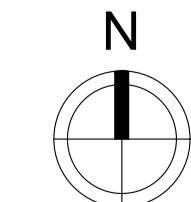
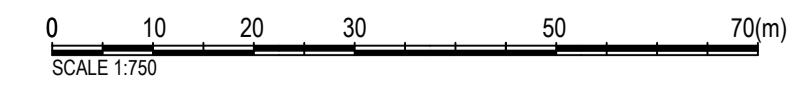
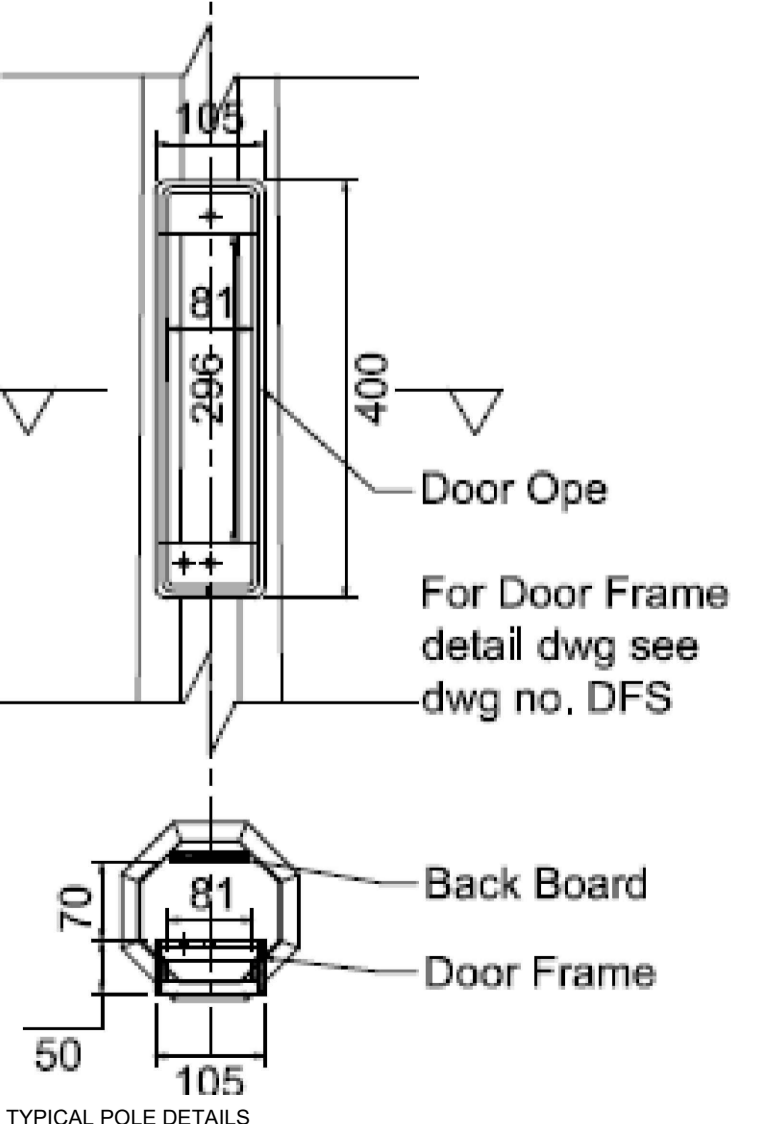
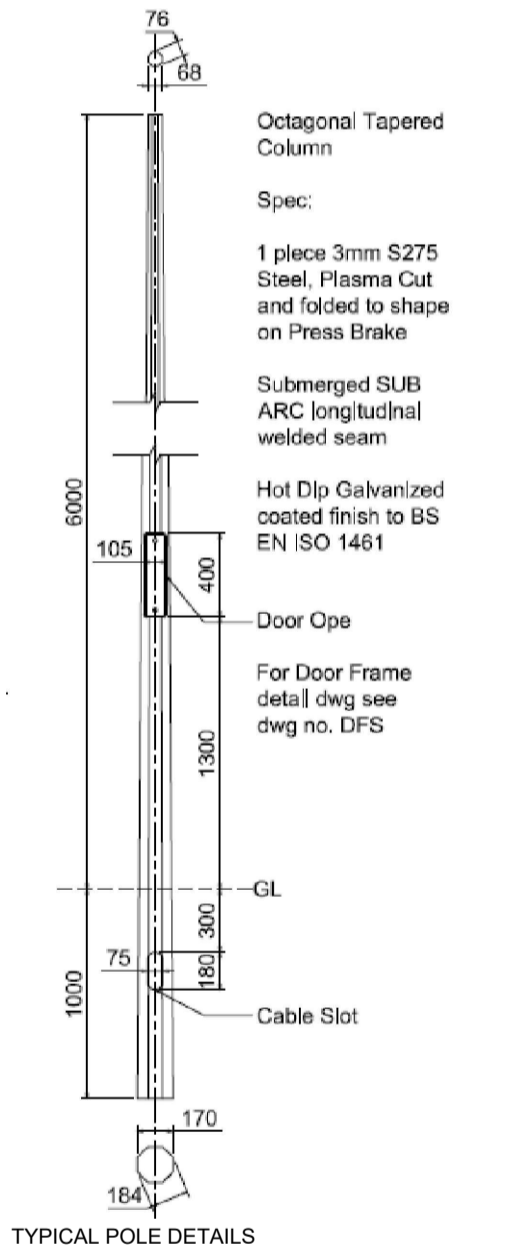


FIG-03 Lighting Column Door. SDCC FIG-03 - DETAIL COLUMN DOOR DETAIL SPEC.

SITE PLAN SCALE 1:750



- MICRO PILLAR FOR PUBLIC LIGHTING
  - ESB MINI PILLAR FOR PUBLIC LIGHTING MICRO PILLAR
  - STREET/EXTERNAL LUMINAIRE (REFER TO EQUIPMENT SCHEDULE & DRAWING LEGEND).
  - 2 x 6mm<sup>2</sup> PVC/SWA/PVC WITH INTEGRAL EARTH
- NOTES:
- A MAXIMUM OF 4No. CIRCUIT PER MICRO PILLAR
  - A MAXIMUM OF 12No. STREETLIGHT LUMINAIRE FITTINGS PER CIRCUIT.
  - MICRO AND MINI PILLAR TO BE LOCATED AT BACK OF FOOTPATH AND ROOT MOUNTED, OF GALVANISED STEEL CONSTRUCTION TO LOCAL COUNTY COUNCIL SPECIFICATION.
  - MINI PILLAR MUST BE LOCATED A MINIMUM OF 2.0M AWAY FROM AN ESB NETWORKS STATION.
  - MINI PILLAR MUST BE LOCATED A MINIMUM OF 10.0M AWAY FROM AN ESB NETWORKS STATION.
  - MICRO PILLAR SUPPLIED FROM ESB MINI PILLAR AS INDICATED.
- MINI PILLAR CIRCUITRY DETAIL (SCALE N.T.S.)



NOTES

- ALL EXTERIOR LIGHTING SHALL COMPLY WITH CODE OF PRACTICE FOR THE DESIGN OF ROAD LIGHTING BS5489-1:2015, EN13201:2015, SOUTH DUBLIN COUNTY COUNCIL PUBLIC LIGHTING INSTALLATION IN RESIDENTIAL AND INDUSTRIAL AREA'S, NATIONAL RULES FOR ELECTRICAL INSTALLATION ET101:2006, PART 1 GENERAL REQUIREMENTS & PART 2.3 PARTICULAR REQUIREMENTS FOR PUBLIC LIGHTING INSTALLATIONS.
- THE EXTERNAL LIGHTING LAYOUT HAS BEEN DESIGNED IN ACCORDANCE WITH IS EN 13201:2015 & CIBSE GUIDE LG-06 GUIDELINES.
- DUCTING SHALL COMPLY WITH BSEN 50086-1:2-3-4 LATEST EDITION & SHALL BE SINGLE WALL, COLORED RED & MANUFACTURED FROM HIGH DENSITY POLYPROPYLENE. THE NOMINAL EXTERNAL DIAMETER OF THE DUCT SHALL BE 107mm WITH A MINIMAL WALL THICKNESS OF 5mm. EACH LENGTH OF DUCT SHALL BE STAMPED WITH THE WORDS "PUBLIC LIGHTING", OR ALTERNATIVELY, "STREET LIGHTING", IN 18mm BLACK LETTERING AT 0 DEGREES, AT ONE METRE INTERVALS. DUCT SHALL BE LAID WITH THIS LEGEND FACING UPWARDS. DUCT SHALL BE LAID IN A CONTINUOUS LINE CLOSE TO THE LINE OF THE COLUMN LOCATIONS & SHALL CONTAIN A STAGNANT DRAW WIRE OF 8KN STRENGTH. ALL DUCTS SHALL BE PROVEN WITH BRUSH AND MANDRILL. POLYPROPYLENE ROPED AND PLUGGED AND COMPLIANT WITH ET101 REQUIREMENTS RED DUCT SHALL BE USED FOR EXTERIORS LIGHTING CABLES.
- A MINIMUM DEPTH OF 600mm COVER IS REQUIRED IN URBAN PATHWAYS & A MINIMUM OF 600mm COVER IS REQUIRED FOR GRASS MARGINS, PEDESTRIAN WAYS, LANEWAYS & GATEWAY ENTRANCES & A MINIMUM DEPTH OF 750mm IS REQUIRED AT ROAD CROSSINGS OR IN CARRIAGEWAYS.
- ALL CABLE DRAW INSPECTION PITS SHALL BE OF DUCTILE IRON GALVANISED STEEL FRAME WITH FRAME OPENING OF 615mm x 615mm TO CONFORM TO EN124B125 MARKED "PUBLIC LIGHTING" OR TRAFFIC WITH M16 STAINLESS STEEL LOCKING BOLT. ALL CABLE DRAW INSPECTION PITS FOR USE ON CARRIAGEWAYS SHALL BE OF THE SAME DIMENSION AS ABOVE WITH HIGH STRENGTH ENGINEERING OR SITU CONCRETE. COVERS AND FRAMES SHALL BE APPROVED BY LICENSED BODY NSAI OR BRITISH STANDARDS INSTITUTE OF QUALITY ASSURANCE SERVICES.
- ALL EQUIPMENT TO BE SUITABLY IP & IK RATED FOR THE ENVIRONMENT THEY ARE BEING INSTALLED.
- LIGHT COLUMN SETBACK SHALL BE 0.8M FROM KERB IN ACCORDANCE WITH BS5489-1 TABLE 2 & LOCAL COUNTY COUNCIL PUBLIC LIGHTING SPECIFICATION.
- SITE LIGHTING CABLING TO TERMINATE IN SITE MINI PILLARS AS INDICATED.
- PUBLIC LIGHTING COLUMNS TO BE CONSTRUCTED OF GALVANISED STEEL AND COMPLY WITH LOCAL SOUTH DUBLIN COUNTY COUNCIL PUBLIC LIGHTING SPECIFICATION REQUIREMENTS & EN40 STANDARDS.
- THE CONTRACTOR IS RESPONSIBLE FOR ENSURING ALL NECESSARY INSPECTOR, TAKEN IN CHARGE AND HANDOVER REQUIREMENTS/ SIGN-OFF FROM THE SOUTH DUBLIN COUNTY COUNCIL IS ADHERED TO AND IMPLEMENTED.
- EACH LUMINAIRE WILL BE INDIVIDUALLY SWITCHED VIA A SPIN NEMA SOCKET WITH ALL COMMS AND LV CONNECTIONS MADE AT THE TIME OF ASSEMBLY CONSTRUCTION BY THE MANUFACTURER/ SUPPLIER.

SCHEDULE OF SYMBOLS

- LUMINAIRE A TRSA-02-200-8L40738W LAMP 1818L38W4K POLE MOUNTED AT 8M
- LUMINAIRE B TRSA-02-200-8L40754W LAMP 1818L54W4K POLE MOUNTED AT 8M
- SITE LIGHTING DUCT (No. 9110MM DUCT)
- MINI/MICRO PILLAR



LUMINAIRE TYPE A & B

REV	DESCRIPTION	DRN	ENG	APP	DATE
P10	ISSUED FOR PLANNING COMPLIANCE - SDCC	ST	ST	NP	24/03/23
P9	ISSUED FOR CFI RESPONSE	ST	ST	NP	22/11/22
P8	REVISED TO SUIT UPDATED ARCH & LANDSCAPING	ST	ST	NP	17/11/22
P7	LIGHTING LAYOUT UPDATED TO SUIT NEW ARCH	ST	ST	NP	07/11/22
P6	ISSUED FOR FI RESPONSE	ST	ST	NP	08/09/22
P5	ARCH UPDATED REISSUED FOR PLANNING	ST	ST	NP	07/09/22
P4	ARCH UPDATED REISSUED FOR PLANNING	ST	ST	NP	24/08/22
P3	ISSUED FOR PLANNING	FB	ST	NP	04/04/22
P2	UPDATED ARCH LAYOUT/ ISSUED FOR PLANNING	FB	ST	NP	30/03/22

**PMEP**  
Penston MEP Consulting

HEALTH & SAFETY  
ISO 45001:2018  
NSAI Certified

QUALITY  
ISO 9001:2015  
NSAI Certified

1<sup>st</sup> Floor, Block A, Citywest Shopping Centre, D24 | 01 2530710 | info@pmp.ie | www.pmp.ie | © Copyright PMP

PROJECT	CALMOUNT RD - WAREHOUSING/ LOGISTICS, OFFICE AND CAFE / RESTUARANT DEVELOPMENT		
CLIENT	BLACKWIN LIMITED	ARCHITECT	GTTP Architects
DRAWING TITLE	ELECTRICAL SERVICES INSTALLATION SITE LIGHTING LAYOUT		
SCALE	SHEET SIZE	DRAWING No.	REV.
1:750@A1 1:1500@A3	A1	P048-PMEP-00-00-DR-E-01	P10