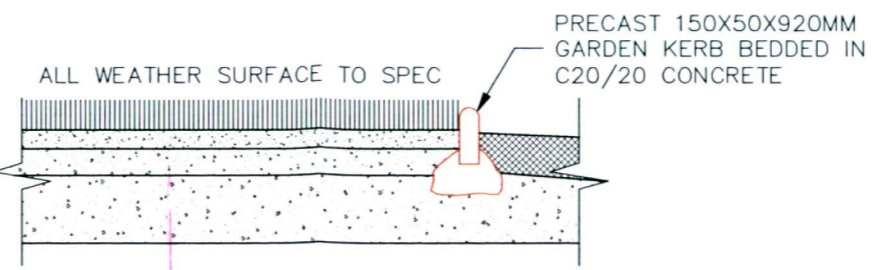
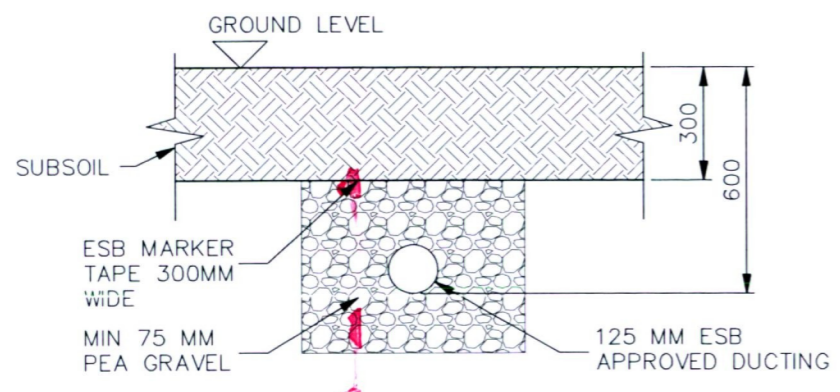


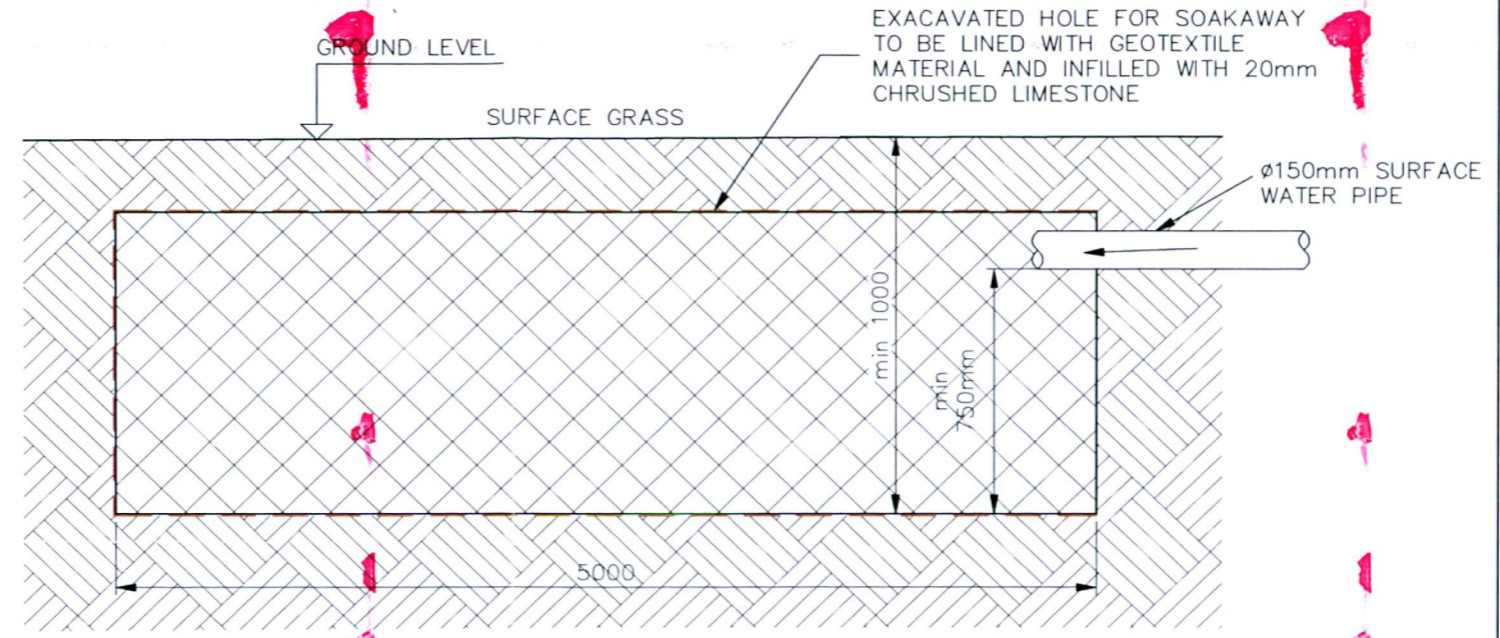
SUBSOIL DRAIN DETAIL
SCALE 1:20



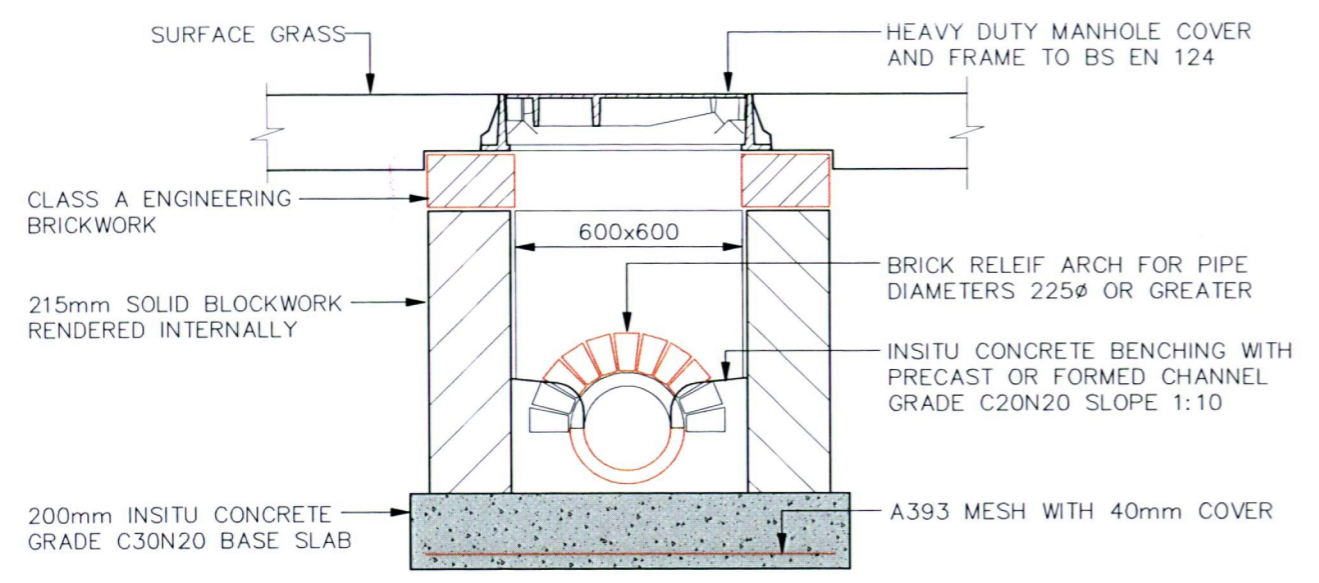
TYPICAL PRECAST KERB DETAIL
SCALE 1:20



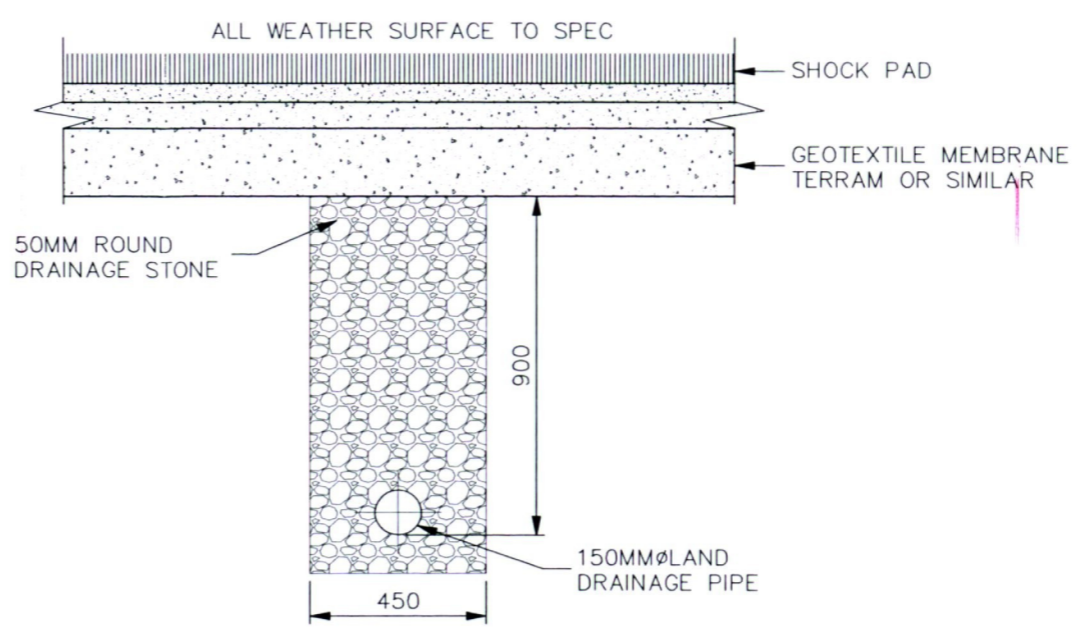
ELECTRICAL DUCTING TRENCH DETAIL
SCALE 1:20



SOAK AWAY
SCALE 1:20



BLOCKWORK SHALLOW MANHOLE
SCALE 1:20



PERIMETER DRAIN DETAIL
SCALE 1:20



NOTES

1. THIS DRAWING IS TO BE READ IN CONJUNCTION WITH ALL RELEVANT ARCHITECTS AND ENGINEERS DRAWINGS AND SPECIFICATIONS.
2. ALL DIMENSIONS ARE IN MILLIMETRES AND ARE TO BE CHECKED ON SITE.
3. ALL LEVELS ARE IN METRES AND REFER TO ORDNANCE DATUM MALIN HEAD.
4. DO NOT SCALE, USED FIGURED DIMENSIONS ONLY.



B	REISSUED FOR PLANNING	PE	OE	MK	MK	18/08/23
A	ISSUED FOR PLANNING	DRN	ORIG	AUTH CHK	APP	10/11/22
ISSUE	DESCRIPTION					



CLIENT **TALLAGHT TOWN AFC**

Maceo Design & Management Limited
81 Main Street, Applewood Village,
Swords,
Co. Dublin, K67 WV30
Ireland.
Tel. +353 -1- 8957818
Fax. +353 -1- 8957819
E-mail. postmaster@maceo.ie

PROJECT **PROPOSED ASTRO PARK DEVELOPMENT AT CAROLAN PARK TALLAGHT, Co. DUBLIN**

TITLE **PROPOSED DRAINAGE & PAVING DETAILS**

PROJECT No.	22020	CLIENT DRG No.	
A3 SCALE	1:20	DRG No.	21020-30-DR-0102

THIS DRAWING IS COPYRIGHT © ALL RIGHTS RESERVED. NO PART OF THIS DRAWING MAY BE REPRODUCED, STORED IN A RETRIEVAL SYSTEM OR TRANSMITTED IN ANY FORM OR BY ANY MEANS WITHOUT THE PRIOR WRITTEN PERMISSION FROM MACEO DESIGN & MANAGEMENT LIMITED