

REFER TO LINK ROAD FOR FURTHER DETAILS



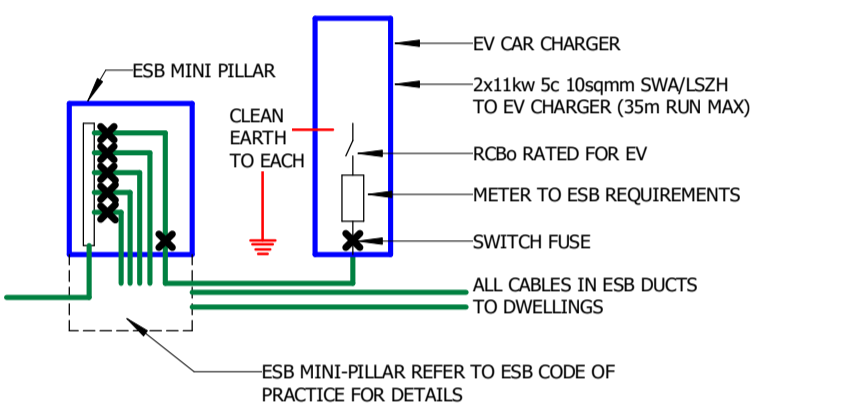
This is a performance drawing and issued for pricing, guidance. The Installation Contractor shall produce all working drawings, including coordination drawings with other Trades and the Builder. This drawing shall be read in conjunction with the specification, schedules that are associated with this project. This is an A1 drawing. This drawing is copyright of Barry O'Neill Ltd trading as BBSC

Rev	Description	Date	By
3	AMENDED TO 07JUN2023 SITE PLAN	09JUN2023	BON

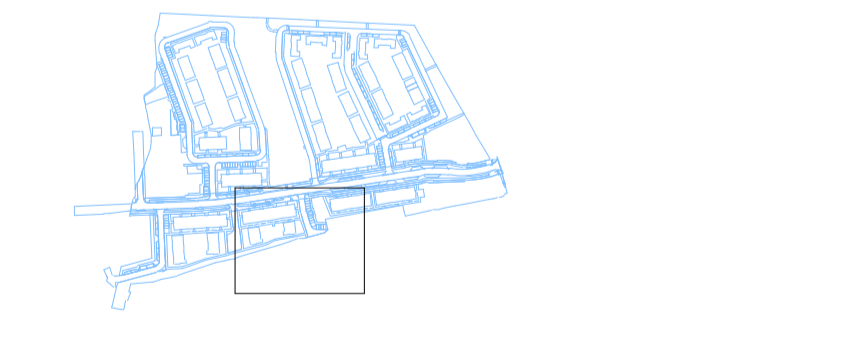
**NOTES**  
 THIS DRAWING REFERENCES ESB LAYOUT DOCUMENT REF. XXXXXXXXXXXX ISSUED XX-XXX-XXXX  
 ONLY FOR DISCUSSION

IN GROUND DUCTING	LEGEND OF CHARGERS
125 DIA ESB DUCT FOR ELECTRICAL VEHICLES (EV)	ESB PUBLIC CHARGING POINT 2 OUTLETS EACH FOR VEHICLES
125 DIA ESB DUCT FOR LOW VOLTAGE (LV)	ESB PUBLIC CHARGING POINT 2 OUTLETS EACH FOR BICYCLES
125 DIA ESB DUCT FOR MEDIUM VOLTAGE (MV)	ESB DWELLING CHARGING POINT 1 OUTLET PER DWELLING IN CURTLAGE
10,000V ESB MAINS	ESB PROVISION OF PUBLIC CHARGING POINT WITH DUCTING PROVISION PROVIDED AS PER PART L 1.1.4.6
125 DIA ESB DUCT FOR PUBLIC LIGHTING (PL)	ESB PROVISION OF DWELLING CHARGING POINT AS PER PART L 1.4.6.
125 DIA ESB DUCT FOR COMMUNICATIONS, FIBRE	
DEPTH OF DUCT BELOW GRADE	Size 2.4 kW EVCC DENOTES DOMESTIC EV CHARGER, LOAD 7.4kW SINGLE PHASE MAX
EV -600mm	ESB EVCC DENOTES PUBLIC EV CHARGER, LOAD 22kW THREE PHASE MAX THIS ARE TO BE SUPPLIED AS INDICATED IN PARKING BAYS
LV -700 TO -900mm	
MV -700 TO -900mm	
PL -600mm	
COMMS -450 TO -600mm	
PULL ROPE (Ø 50A) AND MARKER TAPE REQUIRED	

**PUBLIC EV CHARGING**  
 TO BE READ IN CONJUNCTION WITH EV CHARGING MODE 3 DETAIL



1 6102  
 1 : 200



Client **KELLAND HOMES LTD**  
 Architect **DAVEY SMITH ARCHITECTS**  
 Structural  
 Quant. Surv. **KELLAND HOMES LTD**  
 Fire Consultant

**BBSC** CHARTERED BUILDING SERVICES ENGINEERS  
 80 Willow Park Avenue, Glasnevin, Dublin, D11AE48  
 [p] 086 386 7097  
 [e] barry.oneill@bbsc.ie  
 [w] www.bbsc.ie

App'd	Approver	Chkd	Checker	Eng'r	Designer	Drawn	Author
-------	----------	------	---------	-------	----------	-------	--------

Site  
**SITE WORKS AT RESIDENTIAL DEVELOPMENT CLONBURRIS, CO. DUBLIN**  
 Drawing Title  
**ESB ZONE 2**

Project Nr.	Scale	Date	Sheet Size
23_0216-S	As indicated	09JUN2023	A1
rev:- 3	rev date :- 09JUN2023		
ISO file Reference	Project Status		
CLO-BBSC-DR-SK-E-700302 [3]	WIP		

09/06/2023 15:00:38