



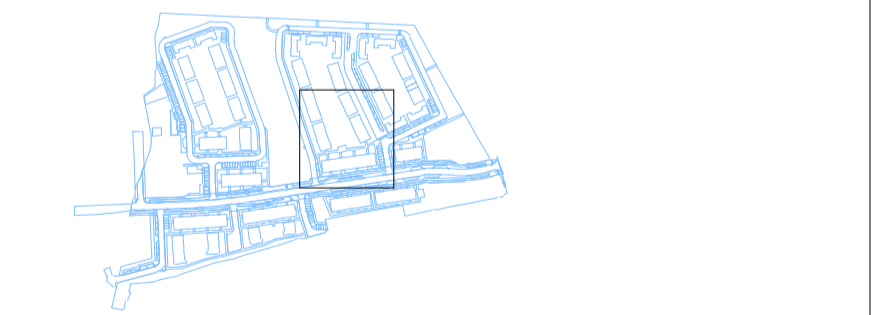
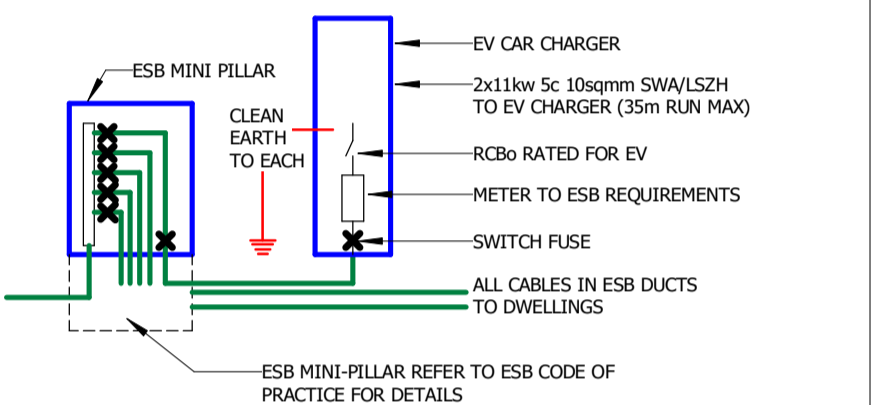
This is a performance drawing and issued for pricing, guidance. The Installation Contractor shall produce all working drawings, including coordination drawings with other Trades and the Builder. This drawing shall be read in conjunction with the specification, schedules that are associated with this project. This is an A1 drawing. This drawing is copyright of Barry O'Neill Ltd trading as BBSC

Rev	Description	Date	By
3	AMENDED TO 07JUN2023 SITE PLAN	09JUN2023	BON

**NOTES**  
 THIS DRAWING REFERENCES ESB LAYOUT DOCUMENT REF. XXXXXXXXXXXX ISSUED XX-XXX-XXXX  
 ONLY FOR DISCUSSION

IN GROUND DUCTING		LEGEND OF CHARGERS	
	125 DIA ESB DUCT FOR ELECTRICAL VEHICLES (EV)		PUBLIC CHARGING POINT
	125 DIA ESB DUCT FOR LOW VOLTAGE (LV) 400V, ESB MAINS		PUBLIC CHARGING POINT 2 OUTLETS EACH FOR VEHICLES
	125 DIA ESB DUCT FOR MEDIUM VOLTAGE (MV) 10,000V, ESB MAINS		PUBLIC CHARGING POINT 2 OUTLETS EACH FOR BICYCLES
	125 DIA ESB DUCT FOR PUBLIC LIGHTING (PL) 400V, ESB MAINS		PROVISION OF PUBLIC CHARGING POINT WITH DUCTING PROVIDED AS PER PART L 1.4.6
	125 DIA ESB DUCT FOR COMMUNICATIONS, FIBRE		PROVISION OF DWELLING CHARGING POINT AS PER PART L 1.4.6

**PUBLIC EV CHARGING**  
 TO BE READ IN CONJUNCTION WITH EV CHARGING MODE 3 DETAIL



Client **KELLAND HOMES LTD**  
 Architect **DAVEY SMITH ARCHITECTS**  
 Structural  
 Quant. Surv. **KELLAND HOMES LTD**  
 Fire Consultant

**BBSC** CHARTERED BUILDING SERVICES ENGINEERS  
 80 Willow Park Avenue, Glasnevin, Dublin, D11AE48  
 (p) 086 386 7097  
 (e) barry.oneill@bbsc.ie  
 (w) www.bbsc.ie

App'd	Approver	Chkd	Checker	Eng'r	Designer	Drawn	Author
-------	----------	------	---------	-------	----------	-------	--------

Site  
**SITE WORKS AT RESIDENTIAL DEVELOPMENT CLONBURRIS, CO. DUBLIN**  
 Drawing Title  
**ESB ZONE 6**

Project Nr.	Scale	Date	Sheet Size
23_0216-S	As indicated	09JUN2023	A1
rev:- 3		rev date :- 09JUN2023	
ISO file Reference		Project Status	
CLO-BBSC-DR-SK-E-700306 [3]		WIP	