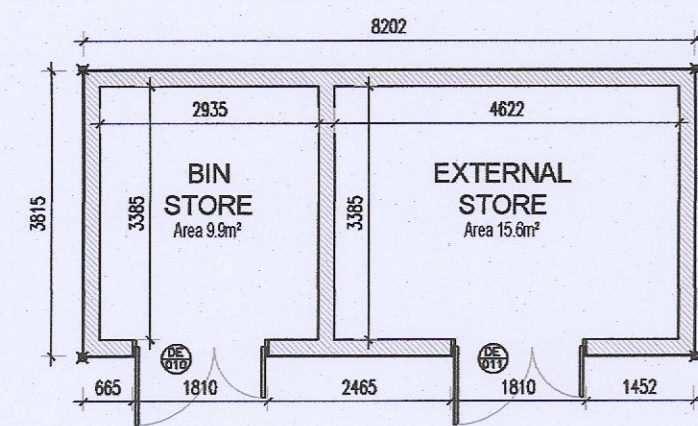
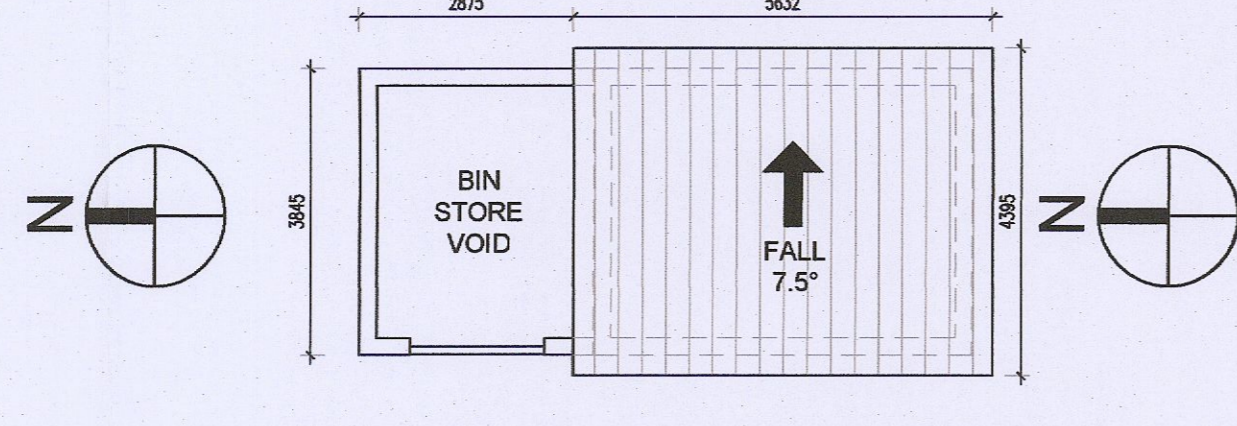


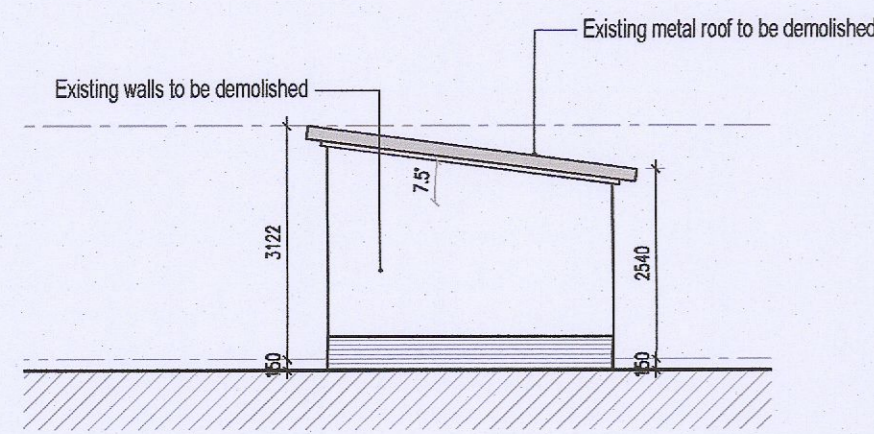
**EXISTING BIN / EXTERNAL STORE.**



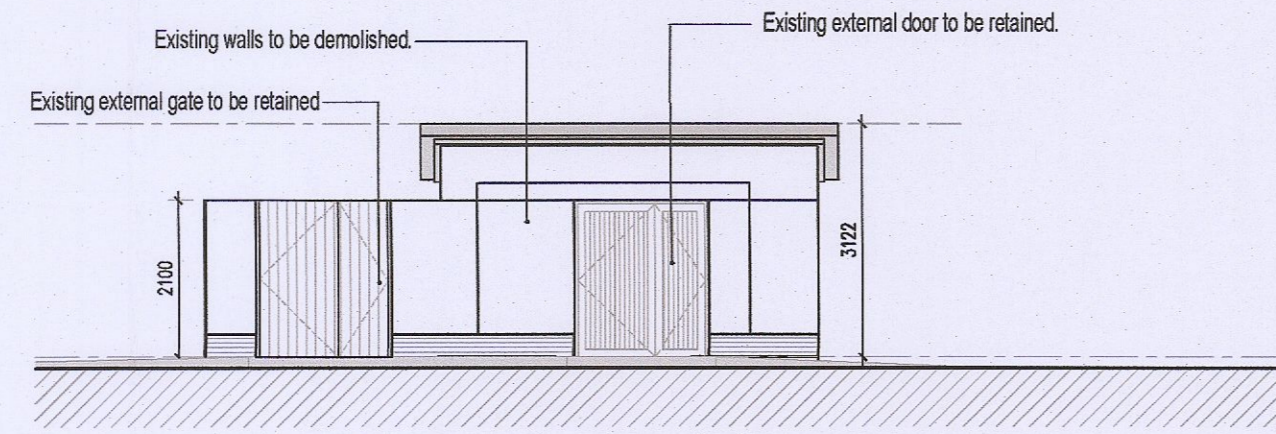
1 EXISTING FLOOR PLAN  
SCALE: 1:100



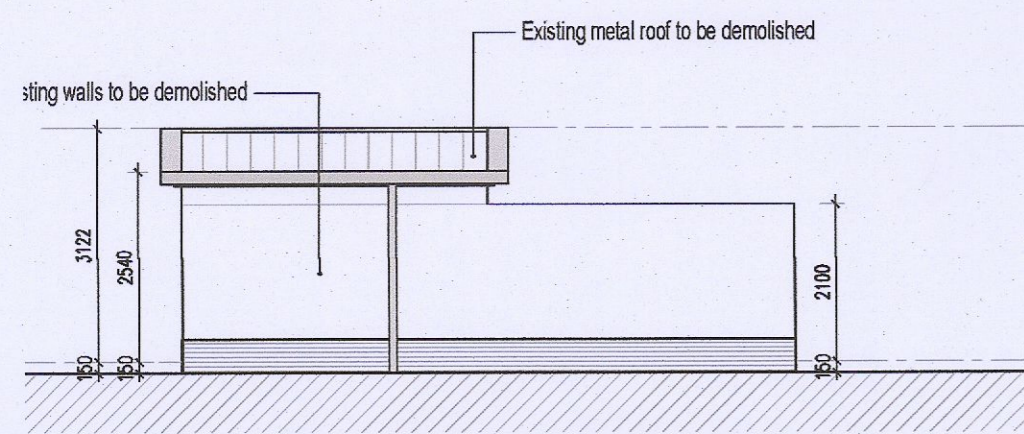
2 EXISTING ROOF PLAN  
SCALE: 1:100



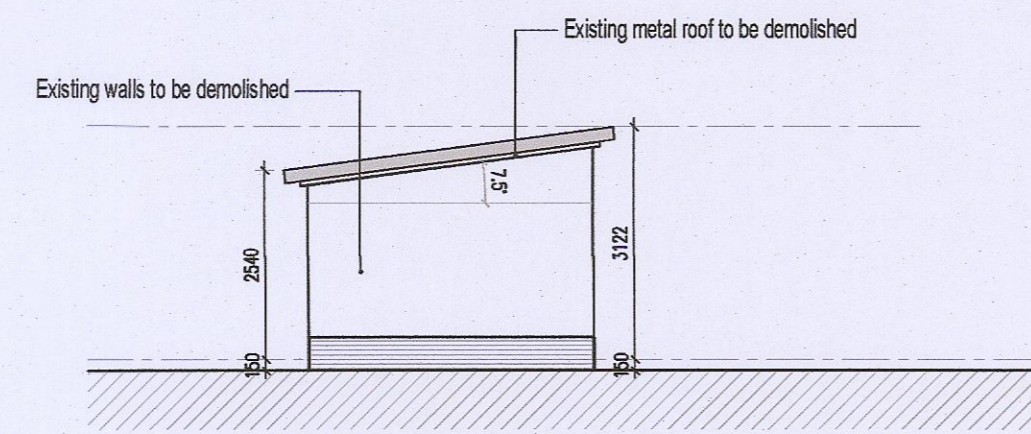
3 EXISTING SOUTH ELEVATION  
SCALE: 1:100



4 EXISTING WEST ELEVATION  
SCALE: 1:100

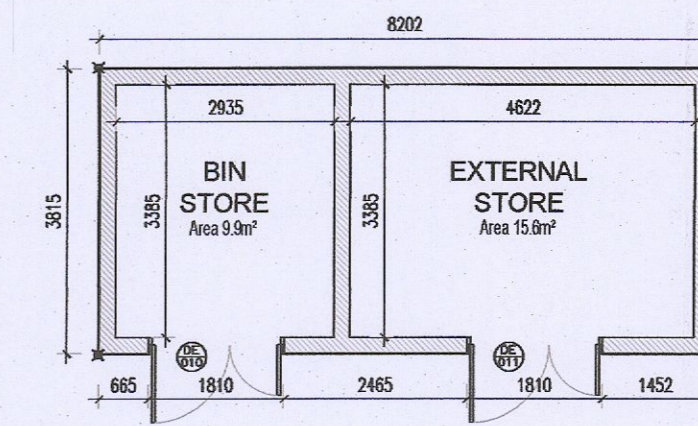


5 EXISTING EAST ELEVATION  
SCALE: 1:100

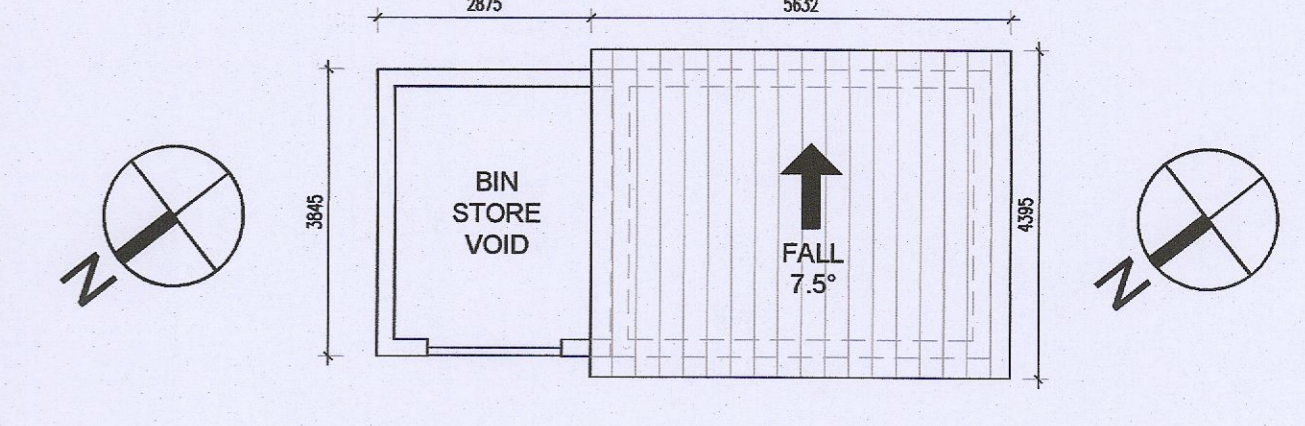


6 EXISTING NORTH ELEVATION  
SCALE: 1:100

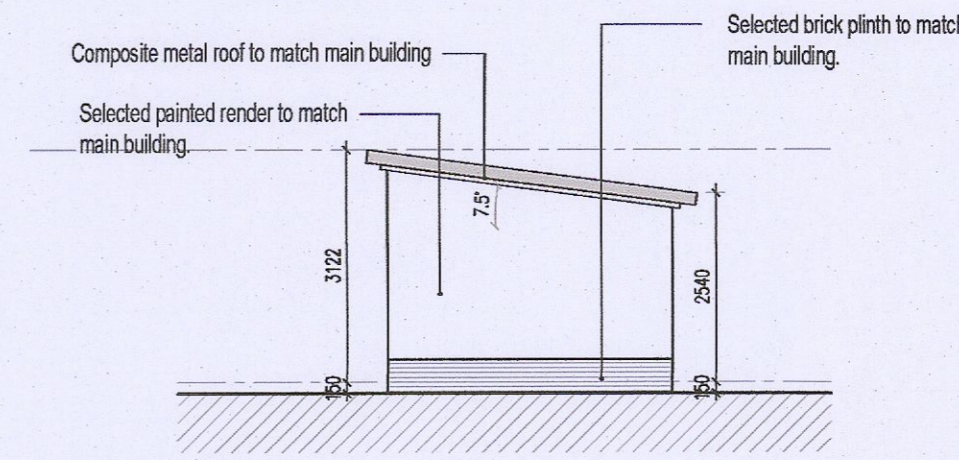
**PROPOSED BIN / EXTERNAL STORE**



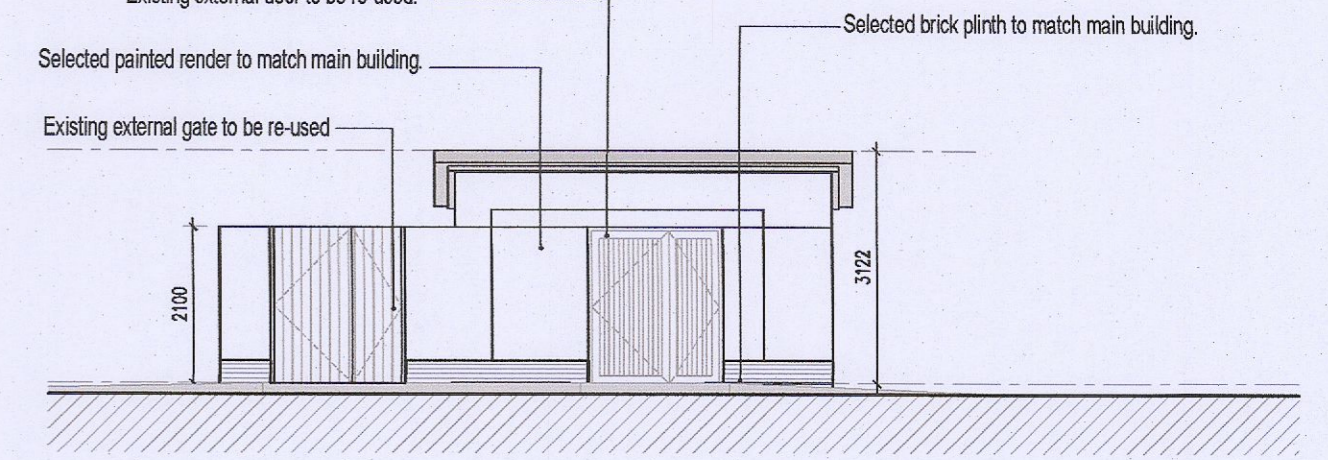
7 PROPOSED FLOOR PLAN  
SCALE: 1:100



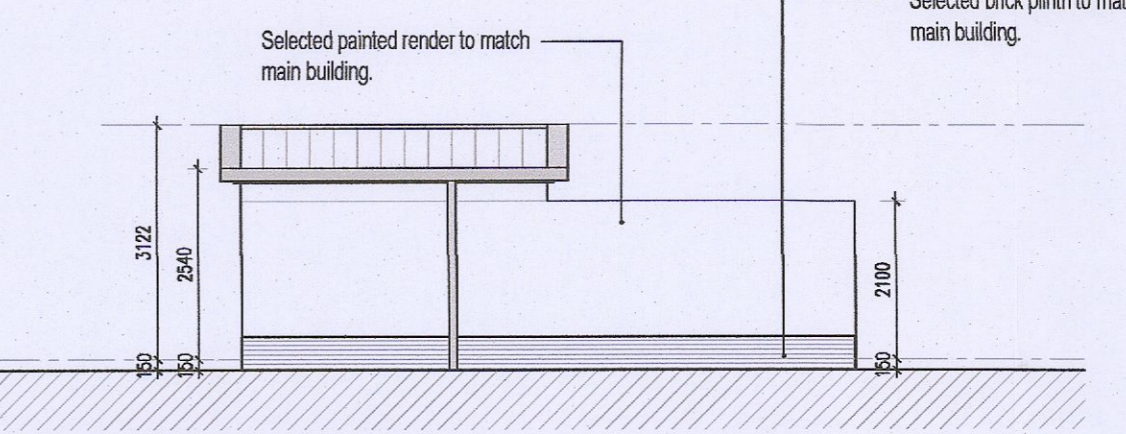
8 PROPOSED ROOF PLAN  
SCALE: 1:100



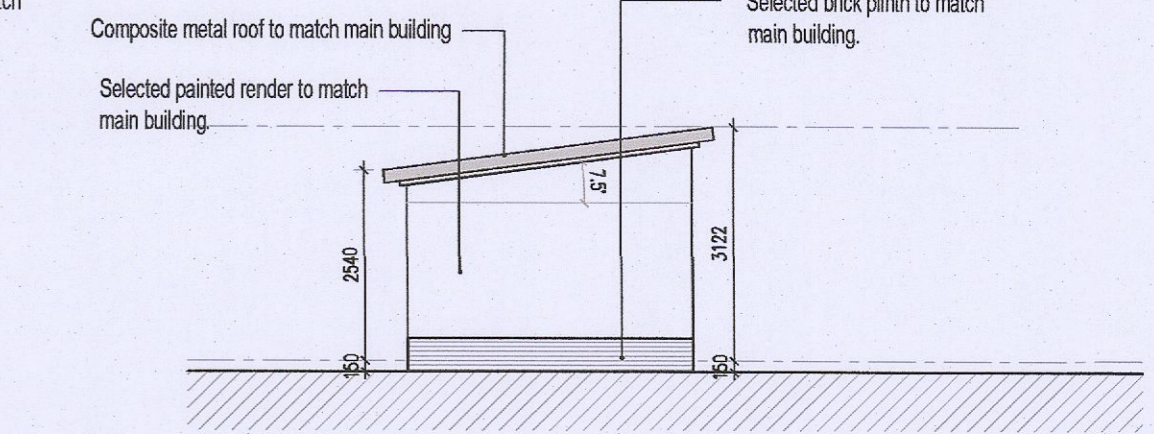
9 PROPOSED SOUTH ELEVATION  
SCALE: 1:100



10 PROPOSED WEST ELEVATION  
SCALE: 1:100

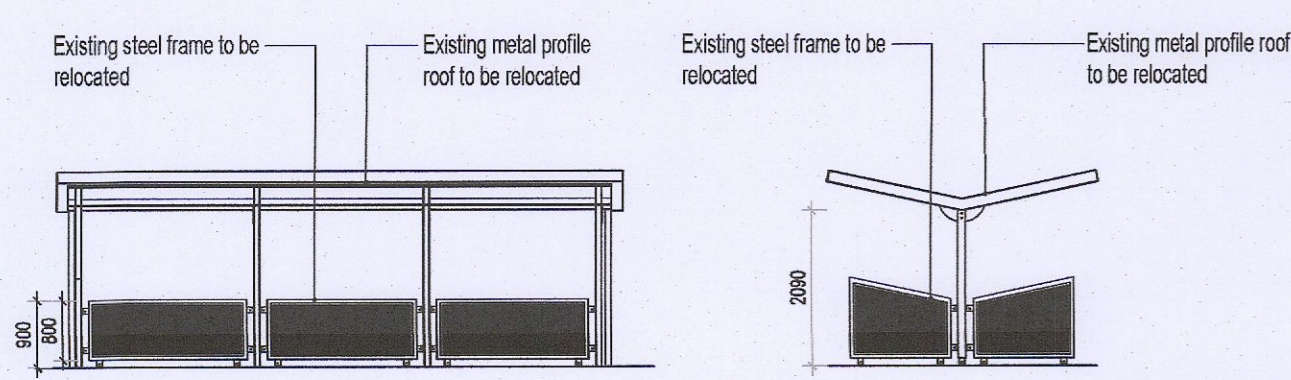


11 PROPOSED EAST ELEVATION  
SCALE: 1:100



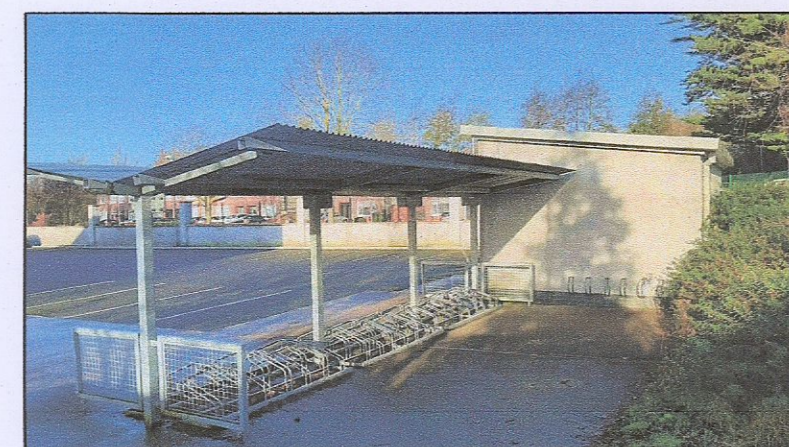
12 PROPOSED NORTH ELEVATION  
SCALE: 1:100

**RELOCATED BICYCLE SHELTER**

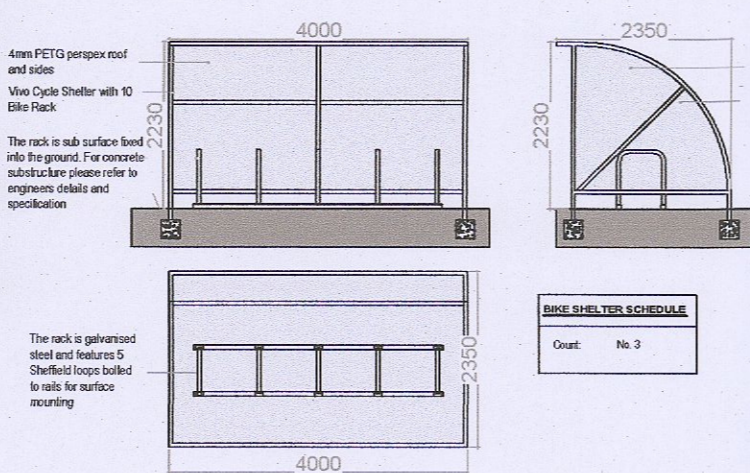


13 EXISTING FRONT ELEVATION  
SCALE: 1:100

14 EXISTING SIDE ELEVATION  
SCALE: 1:100



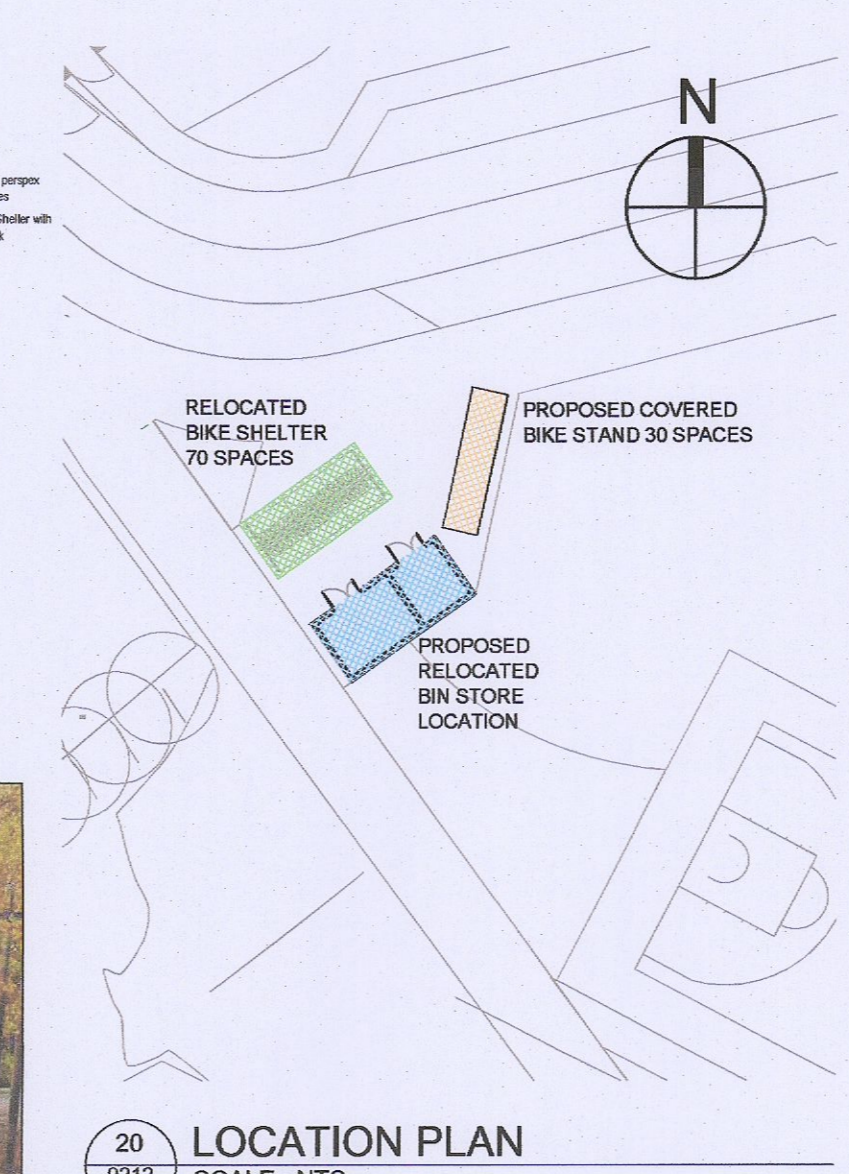
17 EXISTING BIKE SHELTER  
SCALE: NTS



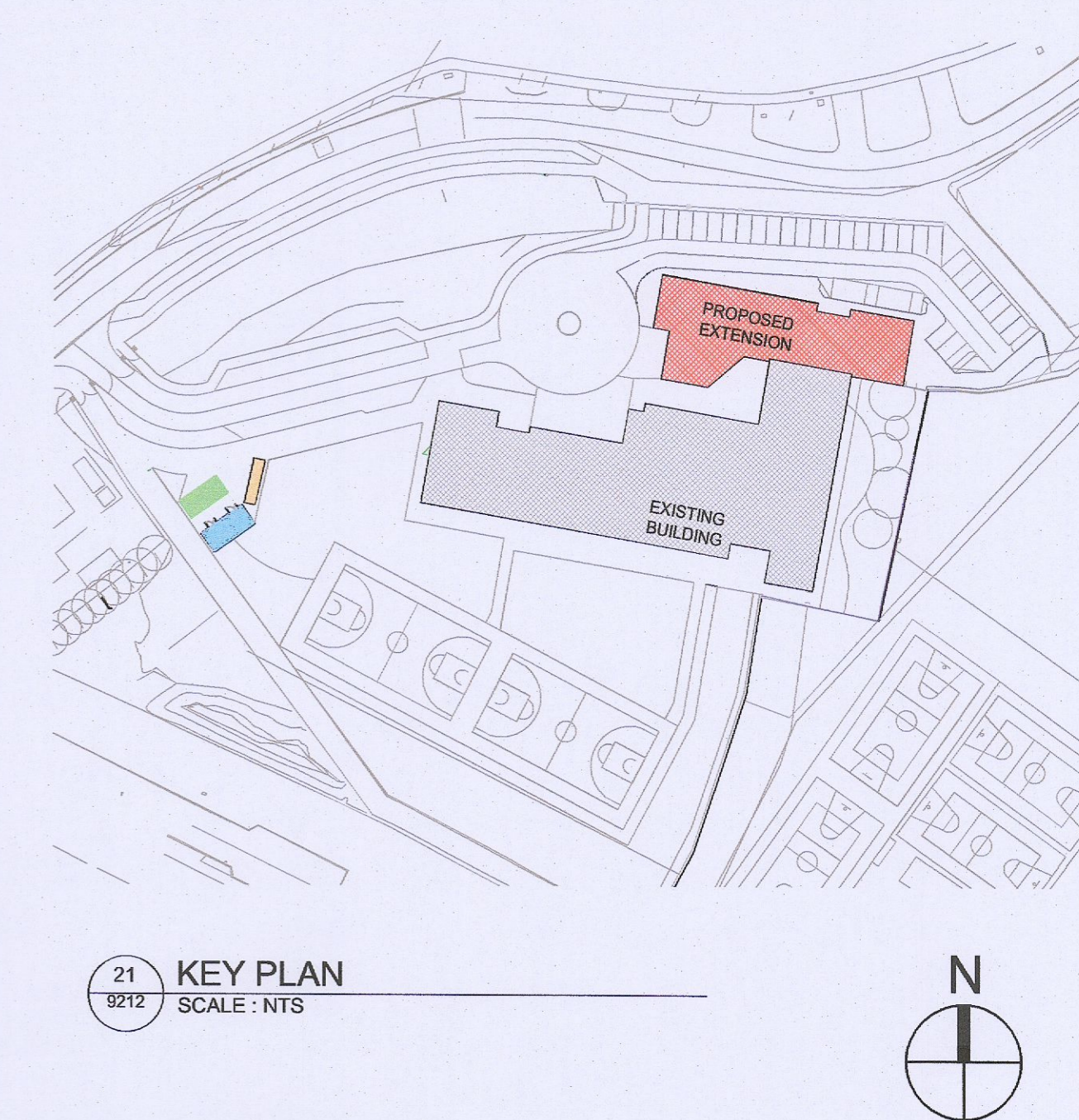
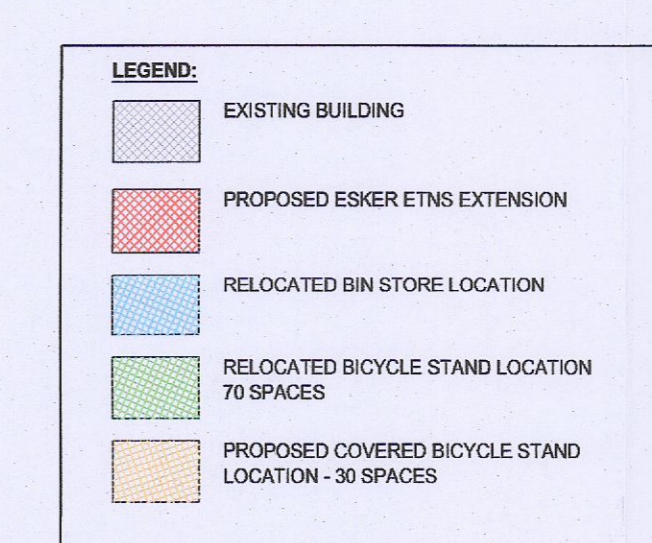
18 PROPOSED BIKE STAND PLAN & ELEVATIONS  
SCALE: 1:100



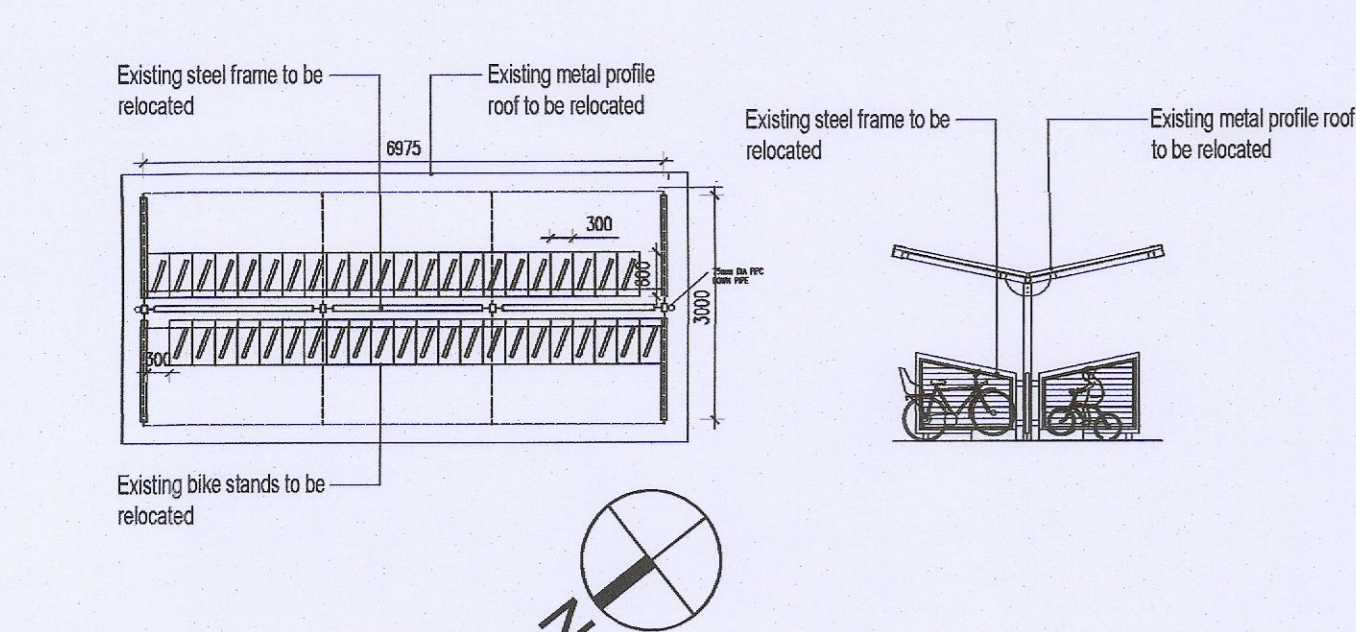
19 PROPOSED BIKE STAND VISUAL (3 No.)  
SCALE: NTS



20 LOCATION PLAN  
SCALE: NTS



21 KEY PLAN  
SCALE: NTS



15 EXISTING PLAN  
SCALE: 1:100

16 EXISTING SECTION  
SCALE: 1:100

REVISION	DATE	REVISED BY	DESCRIPTION
P02	06.07.2023	OA	PLANNING CLARIFICATION
P01	15/12/22	OA	PLANNING APPLICATION

**oppermann** ARCHITECTS & INTERIOR DESIGNERS  
Unit D1, The Millhouse, The Steelworks, Foley Street, Dublin 1.  
Tel: (01) 8996900 Fax: (01) 8996999 email: architecture@oppermann.ie

CLIENT: Department of Education and Science  
PROJECT: 20-782 - Esker ETNS, Lucan - School Extension  
DRAWING: Existing and Proposed External Store and Bicycle Stand Drawing  
DRAWING NO: 20782-OPP-00-ZZ-DR-A-9212-PL-P02

DRAWN BY: DMCD  
CHECKED BY: OA  
SCALE: 1:100@A1  
PLOT DATE: 06.07.2023

Copyright © 2023 Oppermann Associates All Rights Reserved. Figured dimensions only to be taken from this drawing. All dimensions to be checked on site. Architects to be informed immediately of any discrepancies before work proceeds.