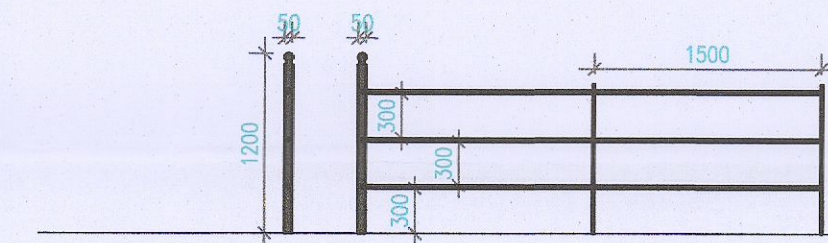


# Landscape Boundary Plan Scale 1:250



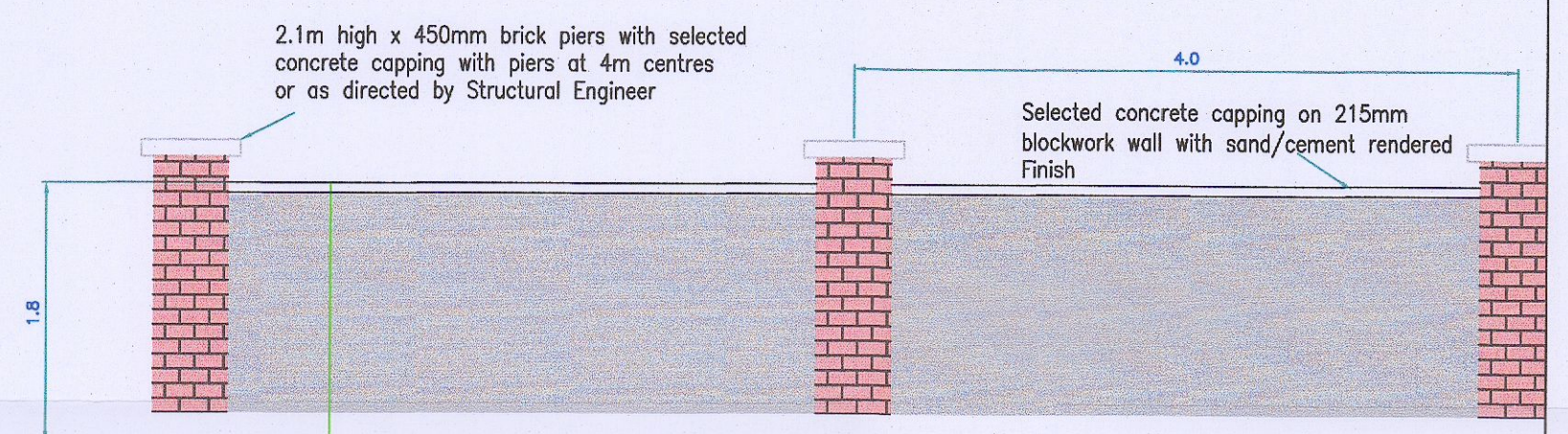
## Typical Boundary Details Scale 1:50

**Boundary Type 1:**



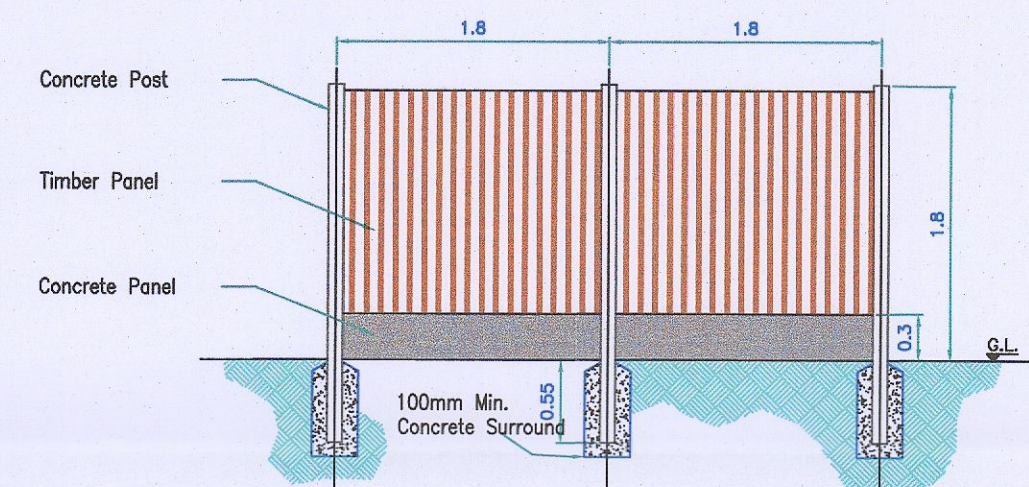
1.2m Parkland Railing  
Boundary Type 1

**Boundary Type 2:**



1.8 - 2m high blockwork wall capped and plastered to public areas  
Boundary Type 2

**Boundary Type 3:**



1.8m high Concrete Post and Timber Panel Fence  
Boundary Type 3

**Boundary Type 4:**

Existing wall to boundary, to be retained

|  |   |
|--|---|
|  | Existing Boundary Wall  |
|  | 1.2m Railing<br>- or similar approved                               |
|  | 1.8m - 2m Wall<br>- or similar approved                             |
|  | 1.8m Timber Panel Fence<br>With Concrete Post - or similar approved |

| REV | DATE     | BY | DESCRIPTION    |
|-----|----------|----|----------------|
| A   | 04.07.23 | CW | Updated layout |
|     |          |    |                |
|     |          |    |                |
|     |          |    |                |
|     |          |    |                |

|  |                      |
|--|----------------------|
| Project Title:<br>Proposed Residential Development Rathcoole | Dwg. No.:<br>02      |
| Client:<br>Claran O' Reilly                                  | Scale:<br>1:250 @ A1 |
| Drawing Title:<br>Landscape Boundary Plan                    | Date:<br>14.04.2023  |
| Job No.:<br>1762 - See previous 1211 (2016)                  | Drawing By:<br>CW    |
|  | Checked By:<br>RMD   |

**Ronan MacDiarmada + Associates Ltd.**  
Landscape Architects and Consultants.

5 Tootenhill, Rathcoole, Co. Dublin  
tel: +353 1 412 4476 mob: 086 26 25 438  
fax: +353 1 401 3748 e-mail: ronan@rmda.ie

**RMDA**  
LANDSCAPE ARCHITECTS - CONSULTANTS

This drawing is copyright ©