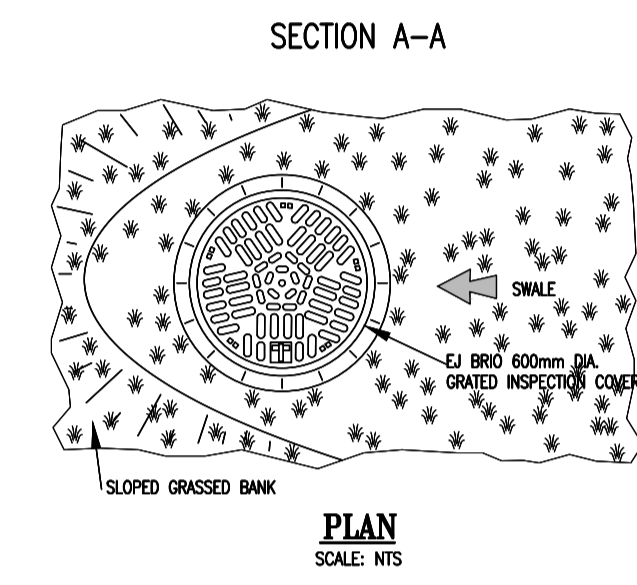
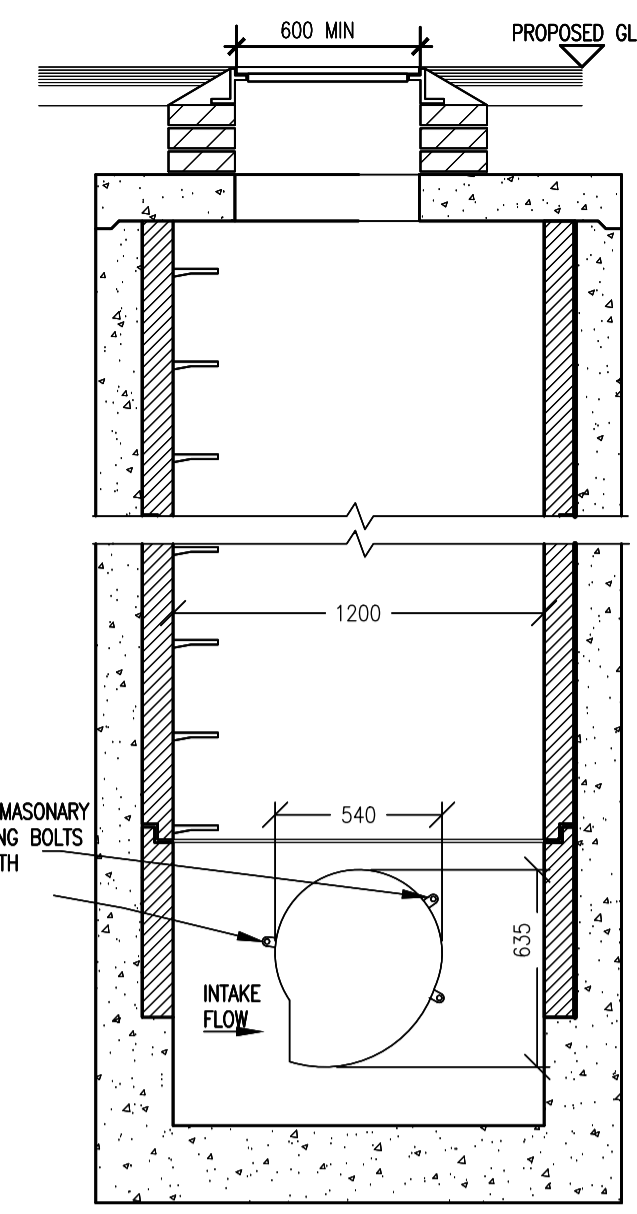
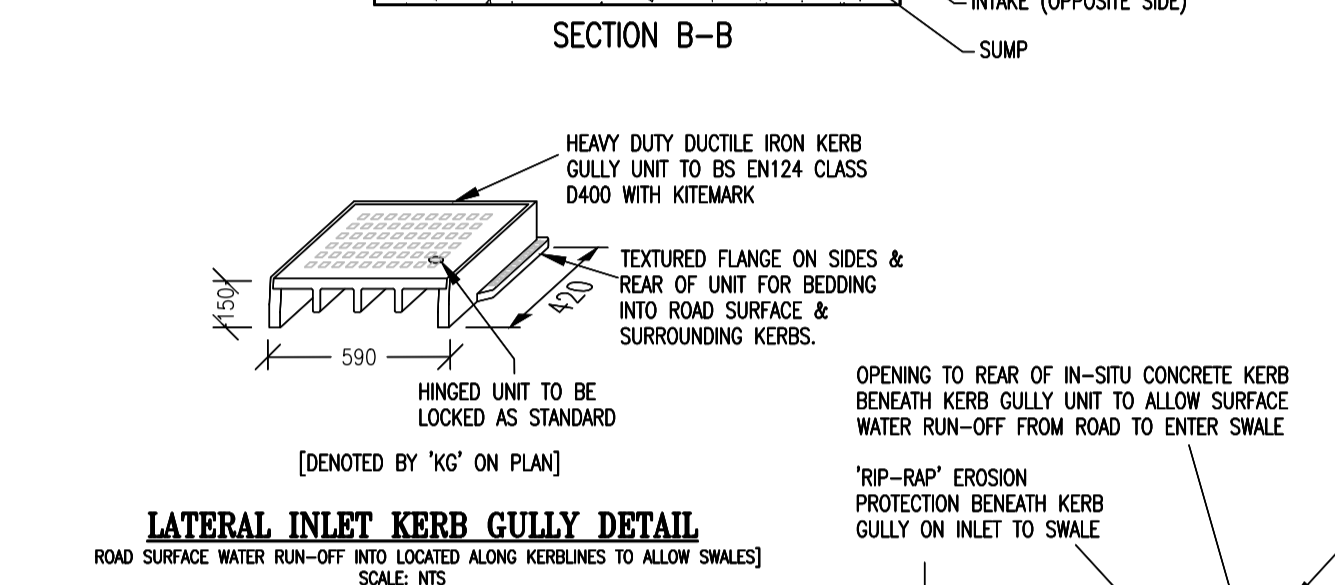
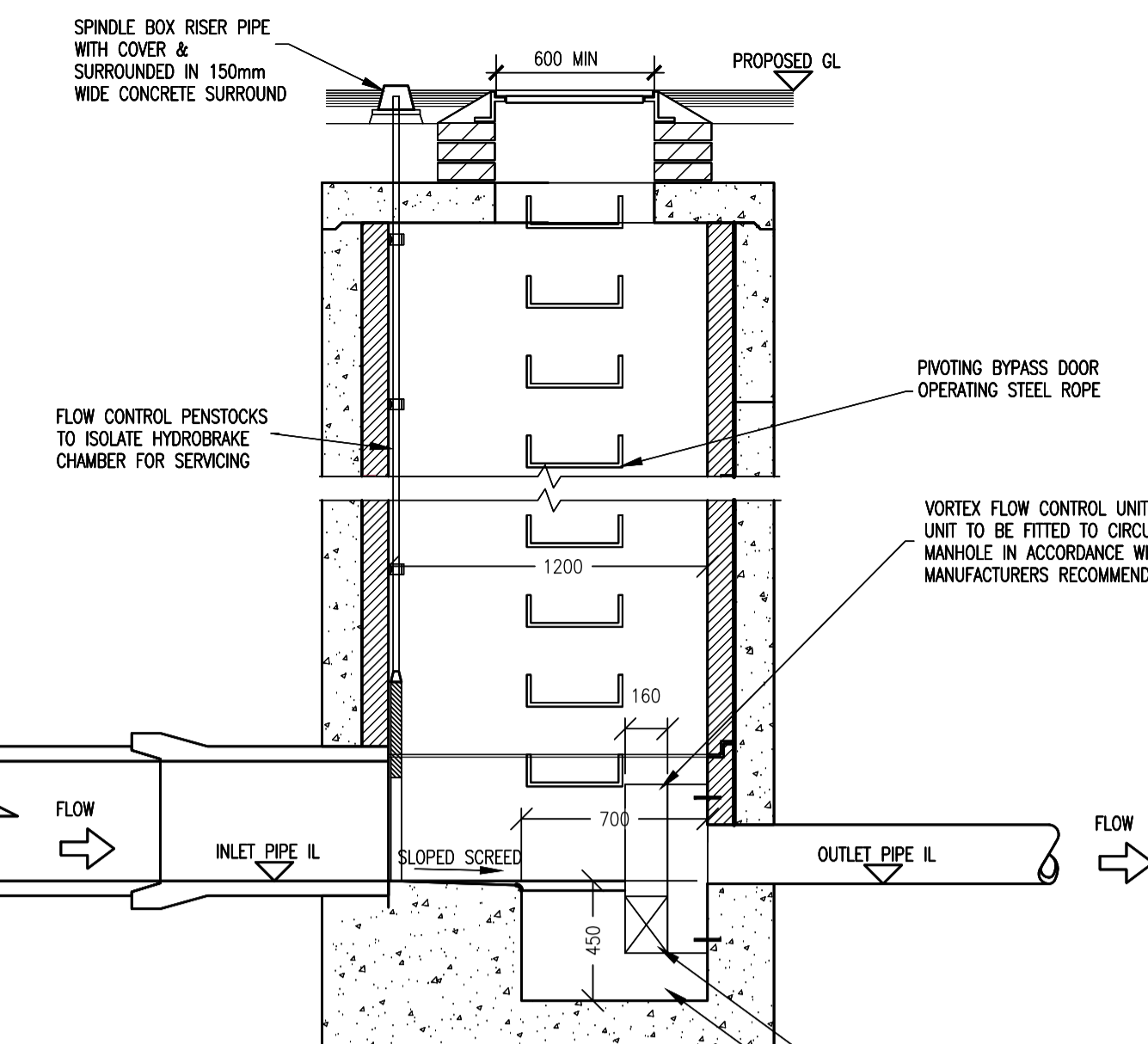


PIPE DIA	ROCKER PIPE LENGTH
150-450	0.5-0.75
451-750	0.75-1.0
750	SEE GUIDANCE

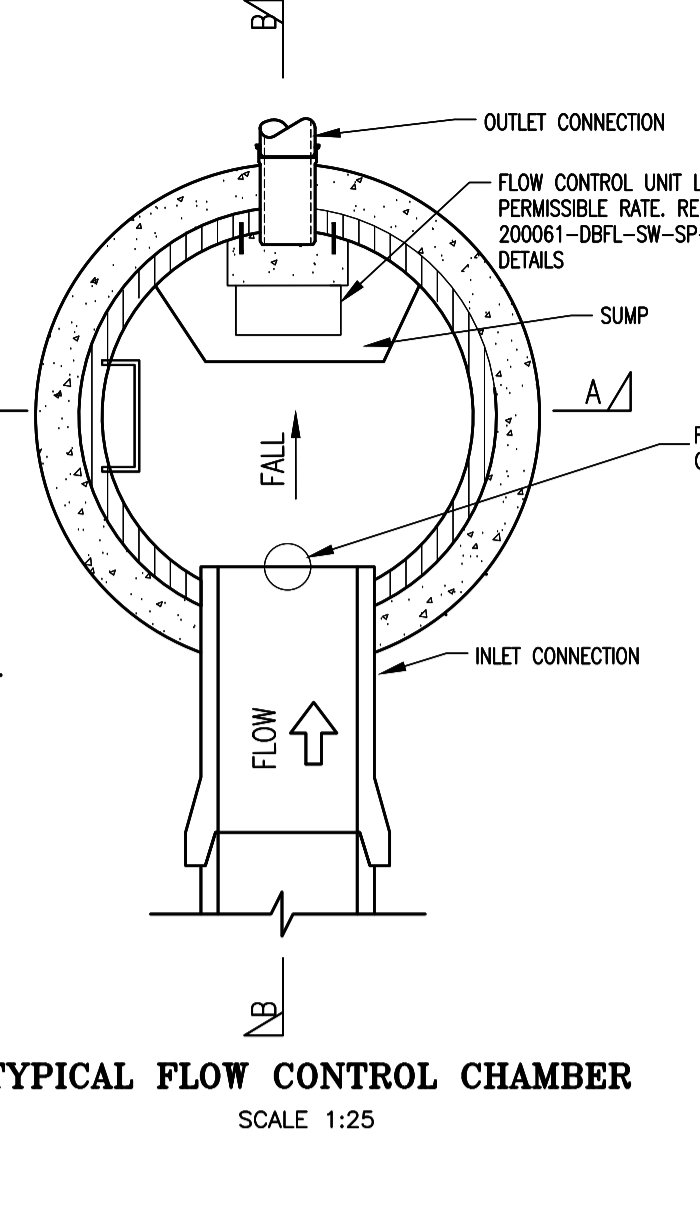
TYPICAL CATCHPIT/SILT TRAP MANHOLE DETAIL (GREATER THAN 1m DEPTH)
SCALE 1:25



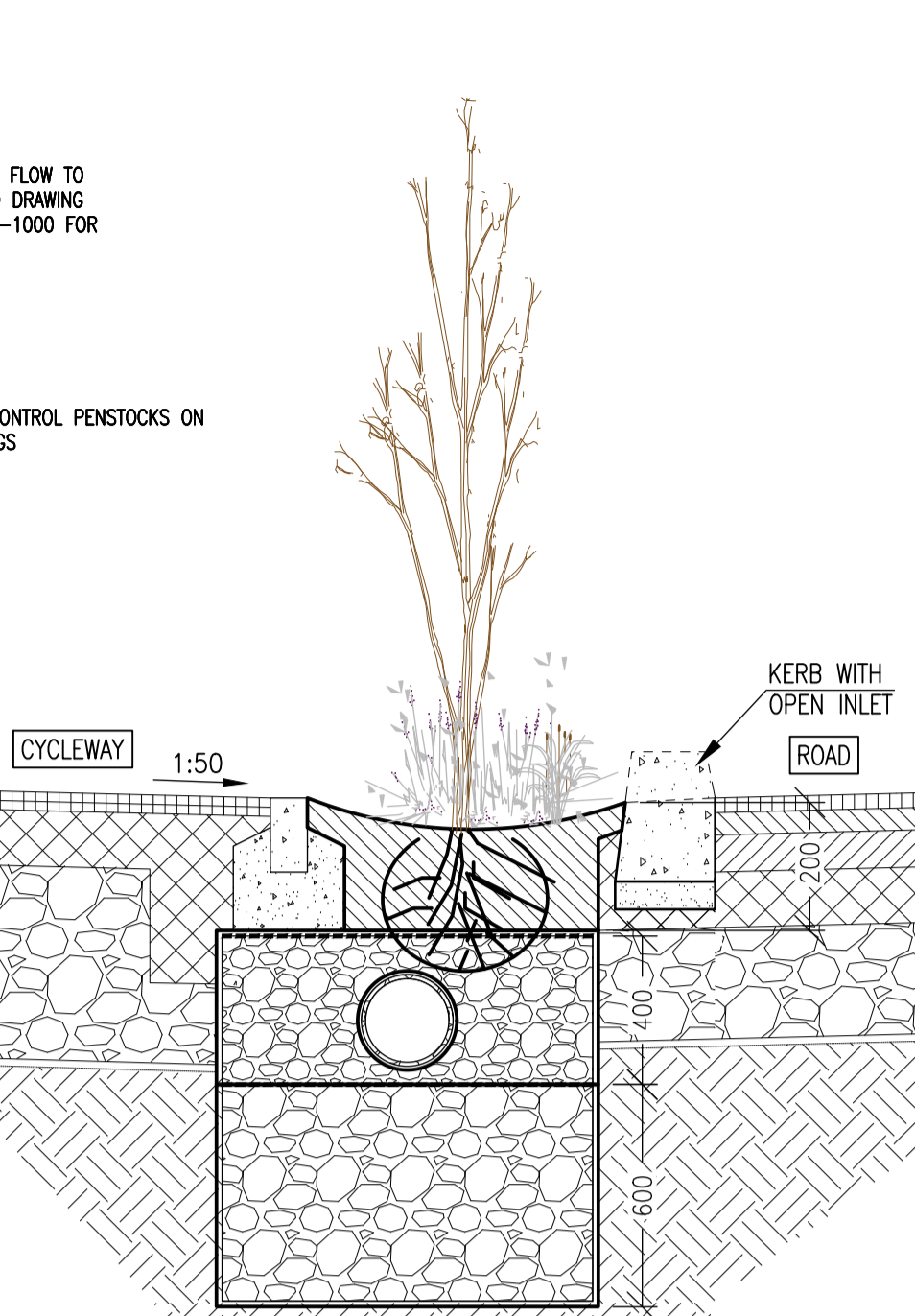
SECTION A-A
PLAN
SCALE: N.T.S.



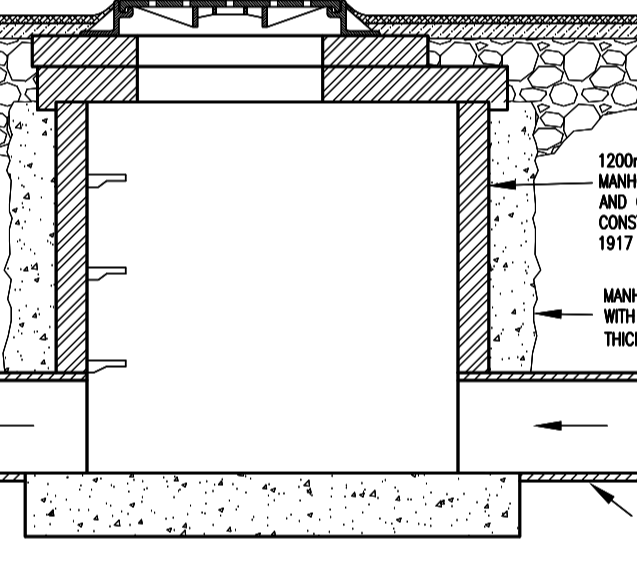
LATERAL INLET KERB GULLY DETAIL
[FOR ROAD DRAINAGE]
SCALE: N.T.S.



TYPICAL FLOW CONTROL CHAMBER
SCALE 1:25



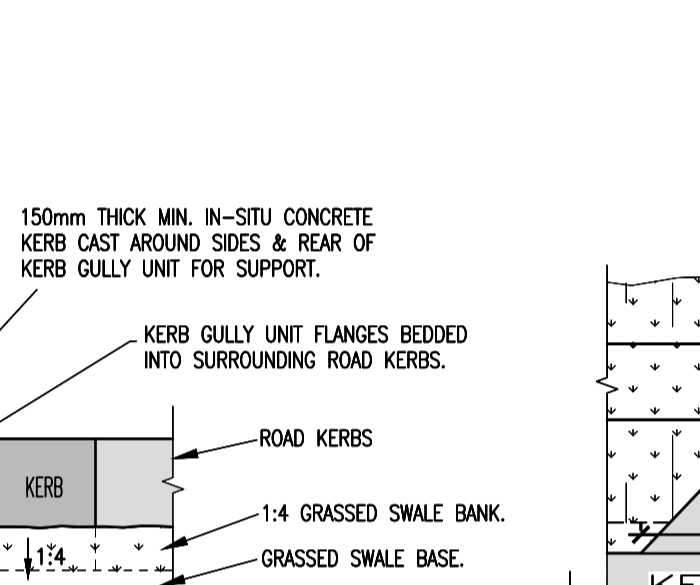
PLANTED SWALE DETAIL - TYPE 2
SCALE 1:50



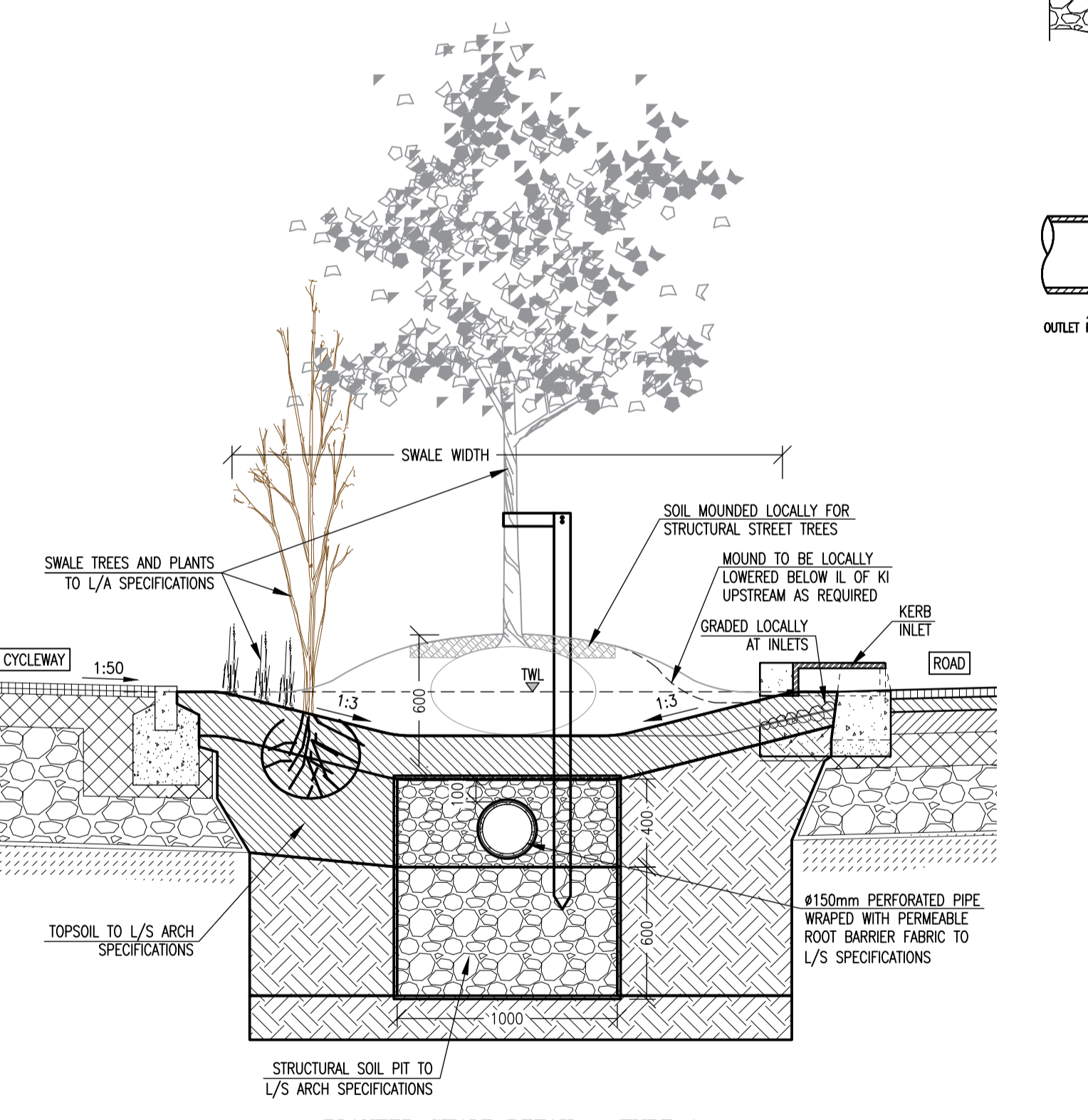
CROSS-SECTION GRATED MANHOLE INLET CHAMBER
SCALE: N.T.S.



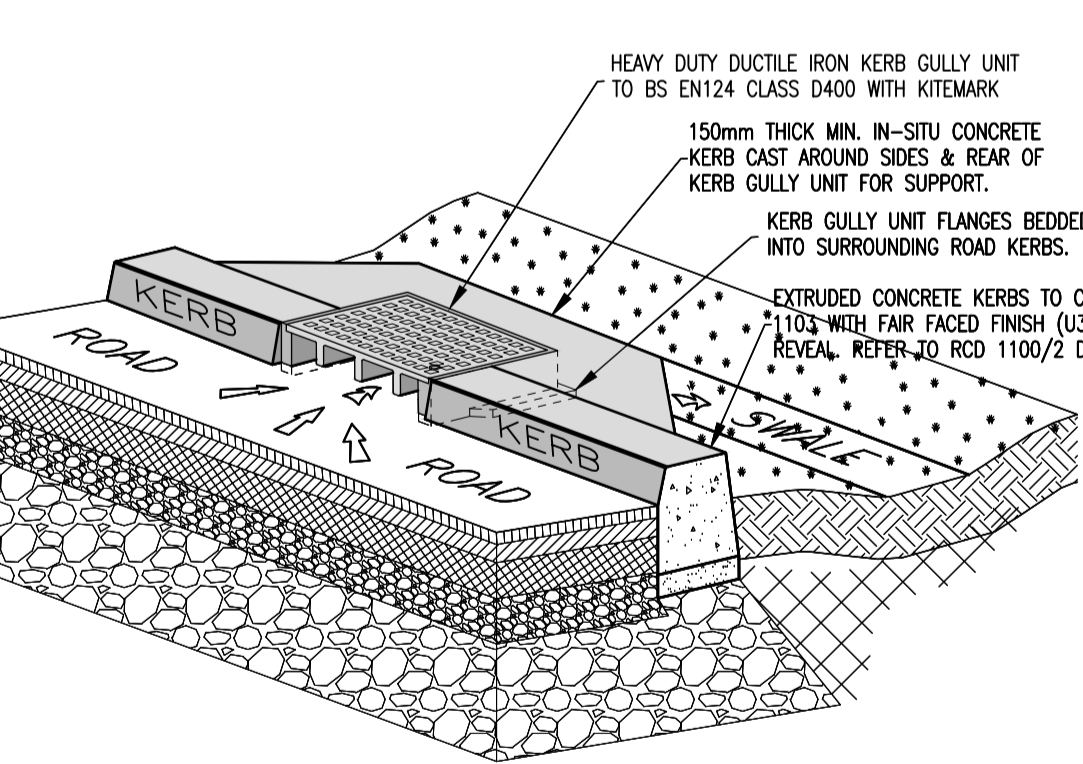
LATERAL INLET KERB GULLY - REAR ELEVATION
[FOR ROAD DRAINAGE]
SCALE: N.T.S.



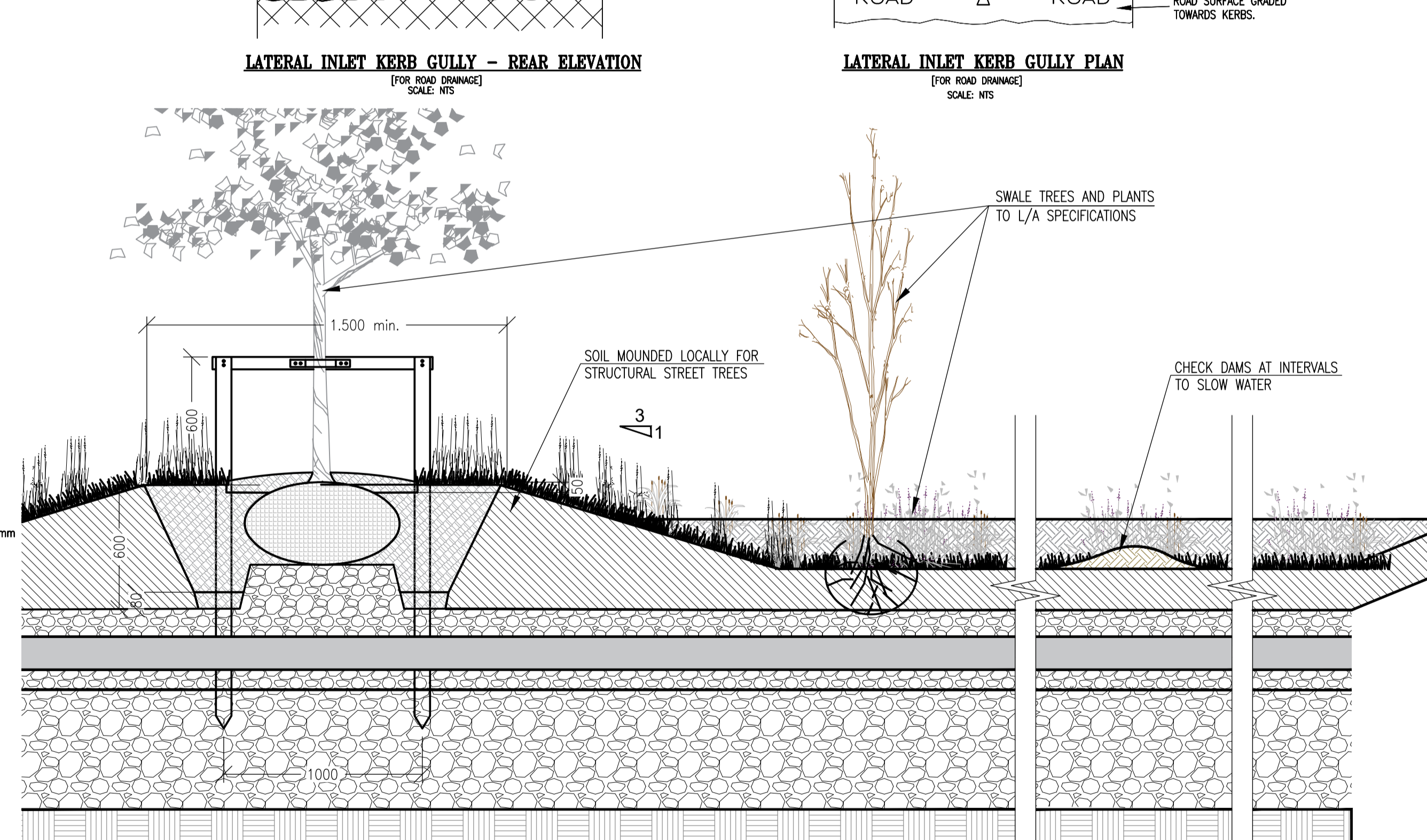
LATERAL INLET KERB GULLY PLAN
[FOR ROAD DRAINAGE]
SCALE: N.T.S.



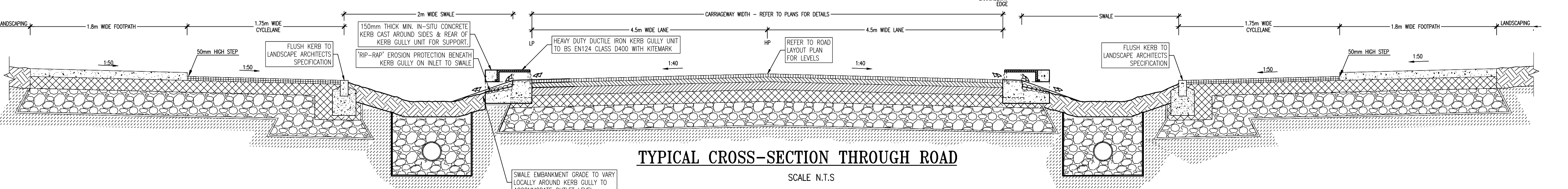
PLANTED SWALE DETAIL - TYPE 1
SCALE 1:50



LATERAL INLET KERB GULLY SCHEMATIC
[FOR ROAD DRAINAGE]
SCALE: N.T.S.



LONGITUDINAL SECTION THROUGH PLANTED SWALE - TYPE 1
SCALE 1:50



TYPICAL CROSS-SECTION THROUGH ROAD
SCALE N.T.S.

- NOTES:-
- FIGURED DIMENSIONS ONLY TO BE TAKEN FROM THIS DRAWING. DIMENSIONS TO BE CHECKED ON SITE.
 - THIS DRAWING TO BE READ IN CONJUNCTION WITH ALL OTHER ARCHITECTURAL & ENGINEERING DRAWINGS & ALL OTHER RELEVANT DRAWINGS & SPECIFICATIONS
 - ALL LEVELS RELATE TO O.S. DATUM AT MAIN HEAD UNLESS NOTED OTHERWISE
 - CONCRETE GRADES: ALL STRUCTURAL CONCRETE = C30/37 CONCRETE BLINDING = C20/25

Rev.	Date	Drawn By	Checked By	Revision
A	11/05/2023	NS	SG	SWALES DETAILS UPDATED

Status FOR COMPLIANCE

Architect TOT ARCHITECTS

Project WAREHOUSING/ LOGISTICS, OFFICE & CAFE/RESTAURANT DEVELOPMENT AT CALMOUNT ROAD, BALLYMOUNT, DUBLIN 12

Drg.Title DRAINAGE DETAILS - SHEET 2

THIS DOCUMENT IS THE PROPERTY OF DOHERTY FINEGAN KELLY CONSULTING ENGINEERS. THE DESIGN INFORMATION CONTAINED HEREIN IS STRICTLY CONFIDENTIAL. THIS DOCUMENT IS NOT TO BE USED, REPRODUCED, DISCLOSED OR CIRCULATED IN WHOLE OR IN PART WITHOUT THE PRIOR WRITTEN PERMISSION IN EACH INSTANCE OF DOHERTY FINEGAN KELLY CONSULTING ENGINEERS' © PROPERTY OF DOHERTY FINEGAN KELLY CONSULTING ENGINEERS'

DFK
DOHERTY FINEGAN KELLY
DOHEP.TA FINEGAN KEGTA
CONSULTING CIVIL & STRUCTURAL ENGINEERS
Botanic Court, 30 Botanic Road,
Glasnevin, Dublin 9.
Tel:(01) 8301852 Fax:(01) 8602265
E-Mail mailroom@dfk.ie

Drawn By	NS	Scale	AS SHOWN
Checked By	SG/CK	Date	31/03/2023
Drg.No.	23002-11	Rev.	A