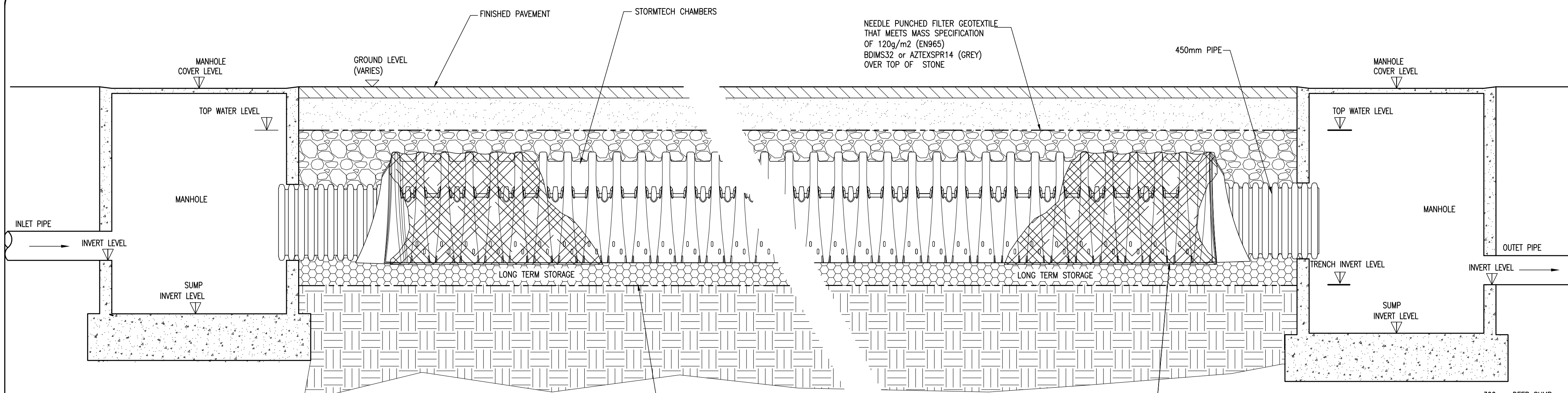
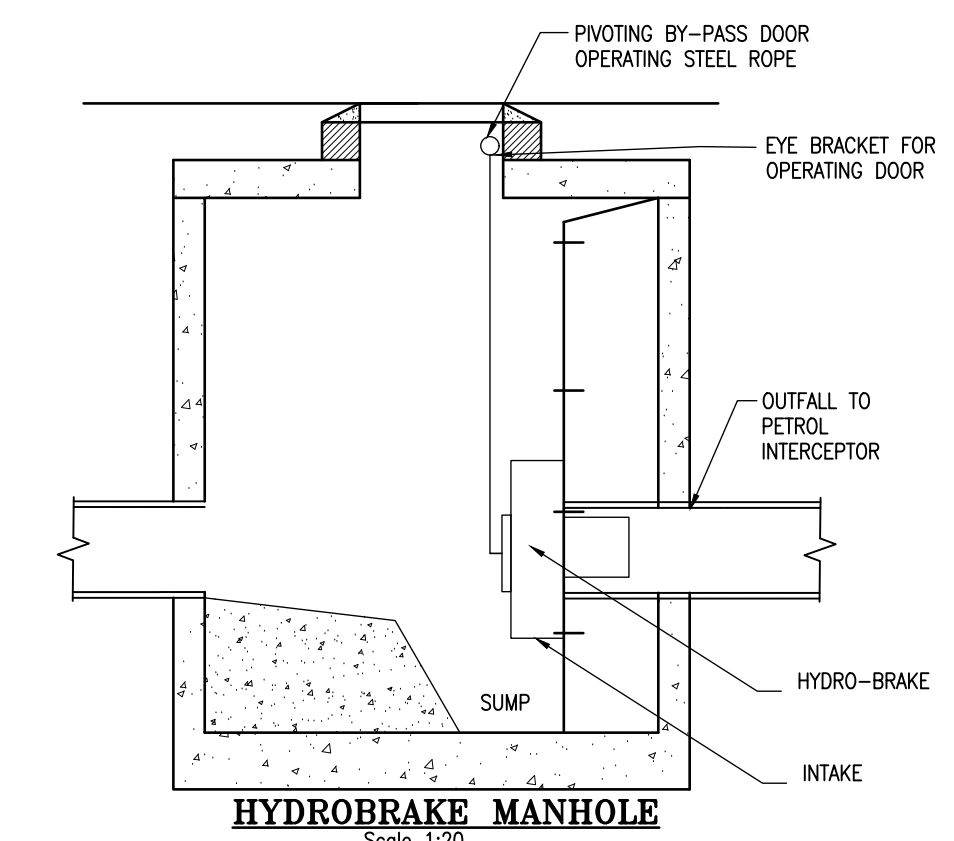


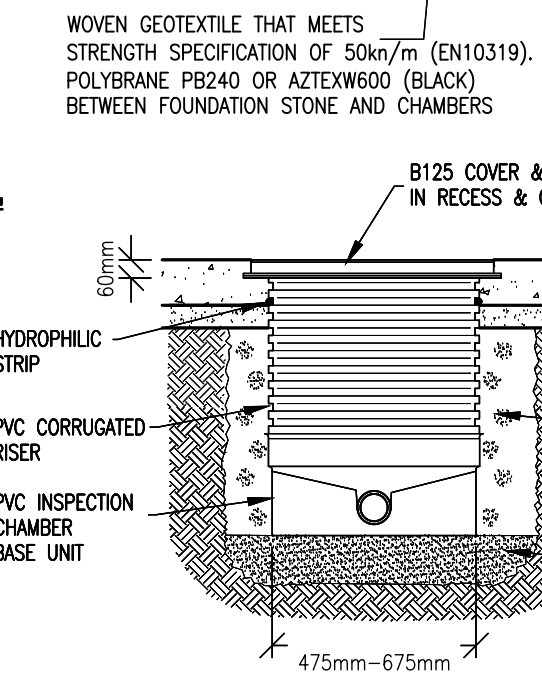
- NOTES:-
- FIGURED DIMENSIONS ONLY TO BE TAKEN FROM THIS DRAWING. DIMENSIONS TO BE CHECKED ON SITE.
 - THIS DRAWING TO BE READ IN CONJUNCTION WITH ALL OTHER ARCHITECTURAL & ENGINEERING DRAWINGS & ALL OTHER RELEVANT DRAWINGS & SPECIFICATIONS
 - ALL LEVELS RELATE TO O.S. DATUM AT MALIN HEAD UNLESS NOTED OTHERWISE
 - CONCRETE GRADES:
ALL STRUCTURAL CONCRETE = C30/37
CONCRETE BLINDING = C20/25



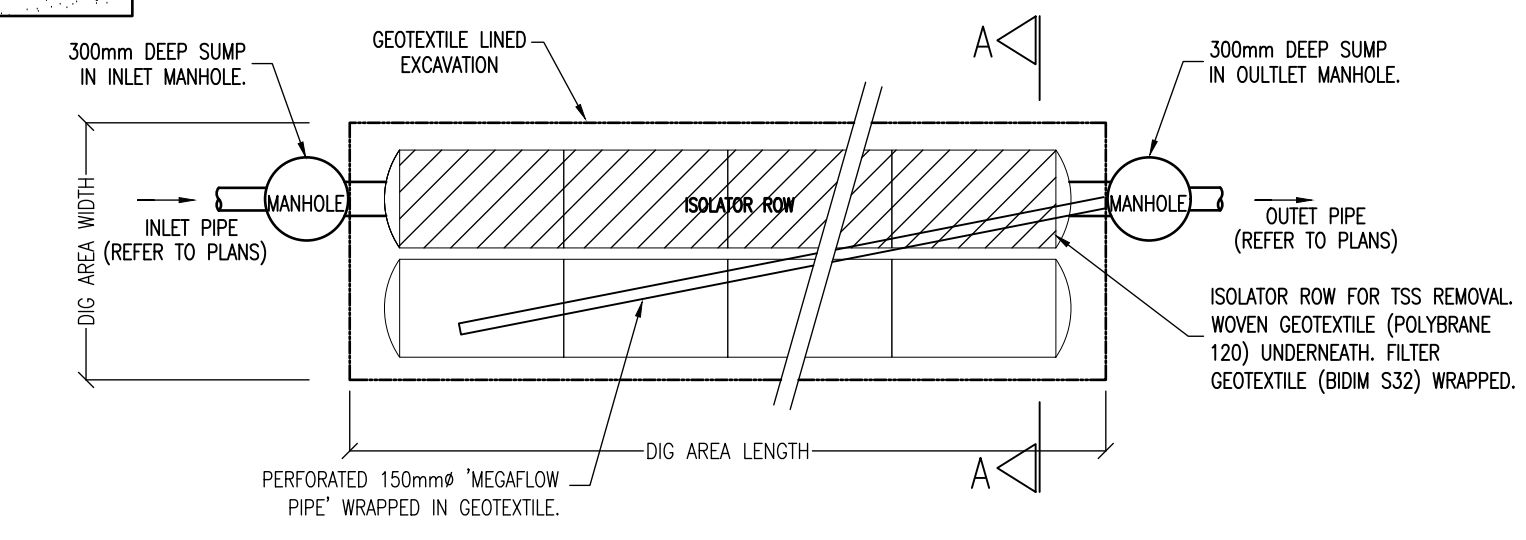
STORMTECH SC-740 CHAMBER SYSTEM ELEVATION DETAIL
SCALE 1:20



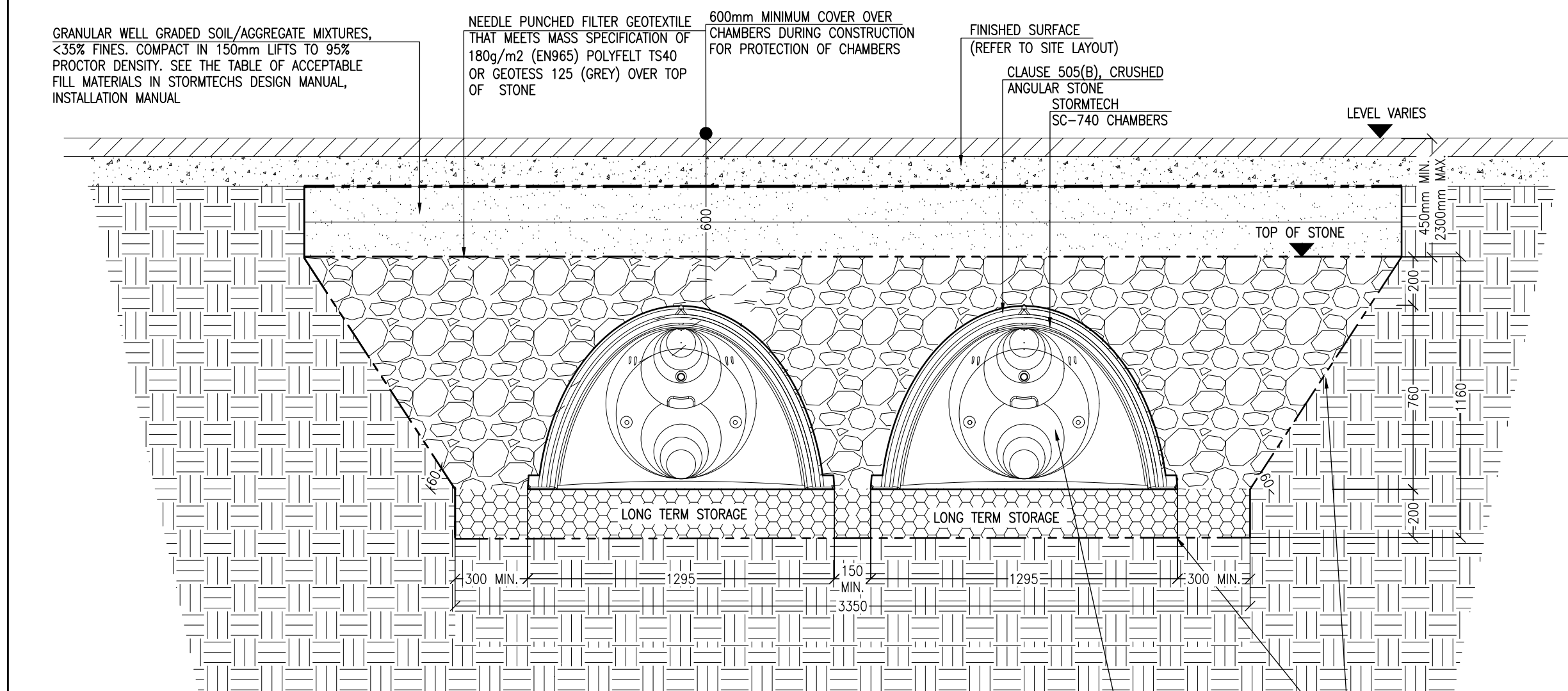
HYDROBRAKE MANHOLE
Scale 1:20



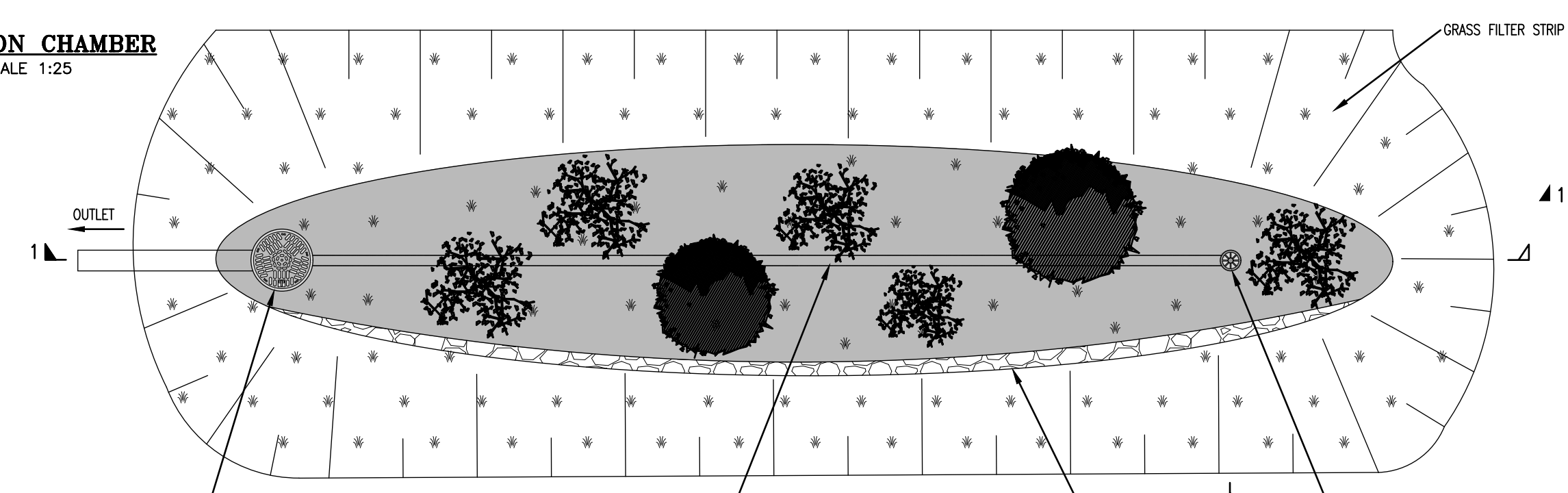
INSPECTION CHAMBER
SCALE 1:25



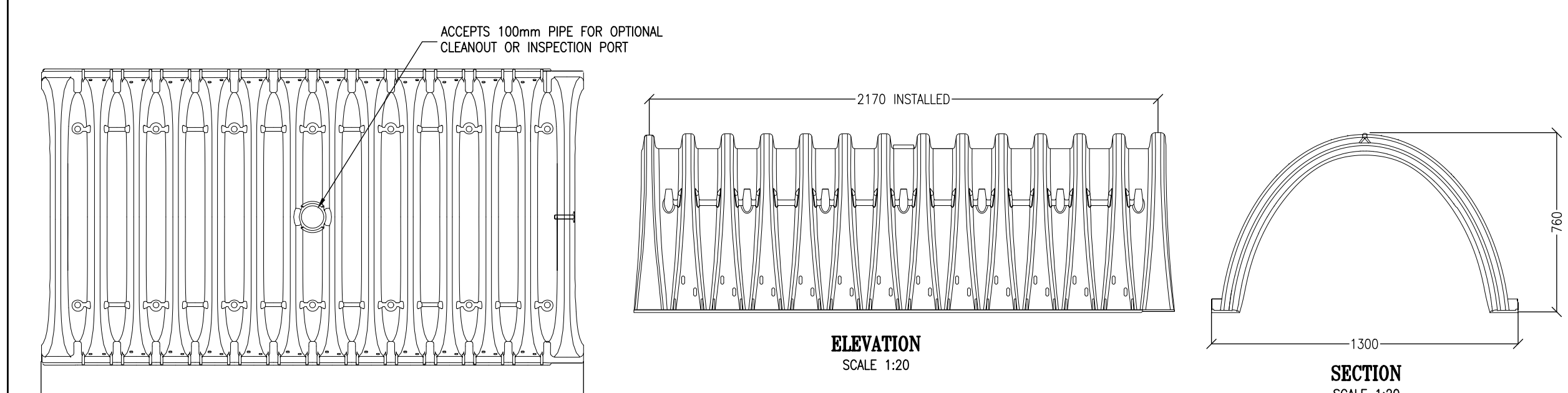
STORMTECH SC-740 CHAMBER SYSTEM
SCALE 1:100



STORMTECH SC-740 CHAMBER SYSTEM SECTION A-A
SCALE 1:20

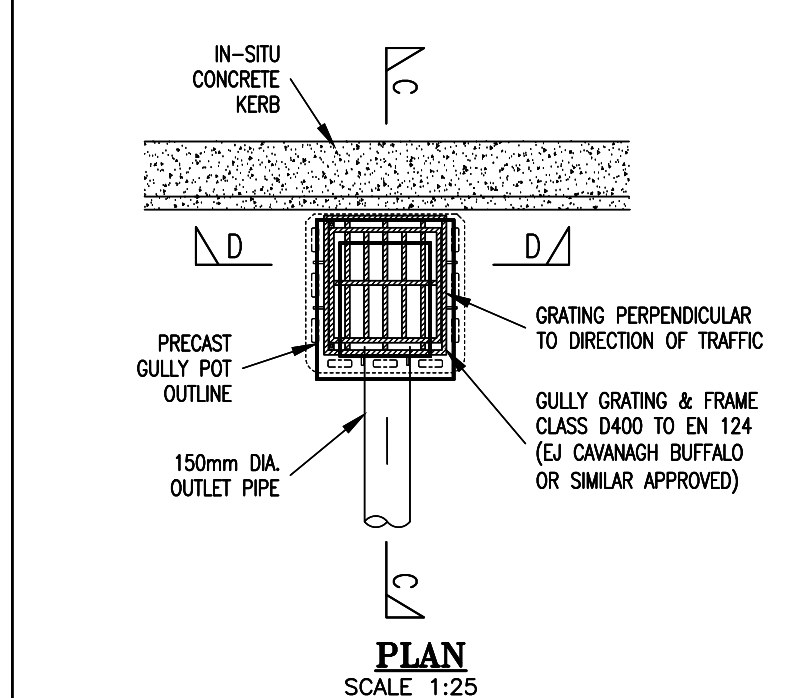


PLAN

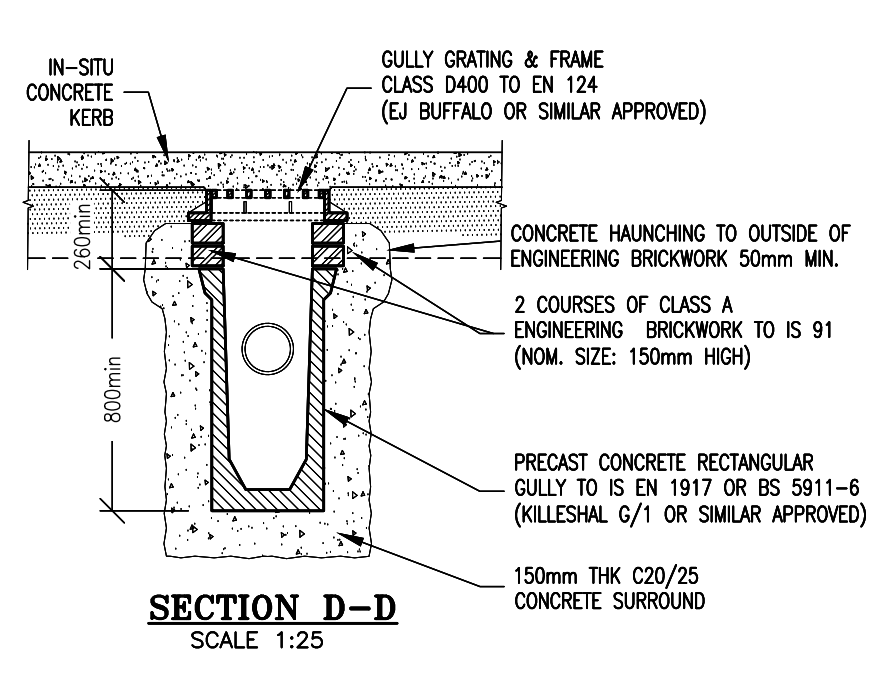


STORMTECH SC-740 CHAMBER SYSTEM
SCALE 1:20

NOMINAL CHAMBER SPECIFICATIONS
SIZE (W x H x INSTALLED LENGTH) - 1300 x 760 x 2170
CHAMBER STORAGE - 1.3 CUBIC METERS
MINIMUM INSTALLED STORAGE - 2.12 CUBIC METERS
WEIGHT - 34 KG

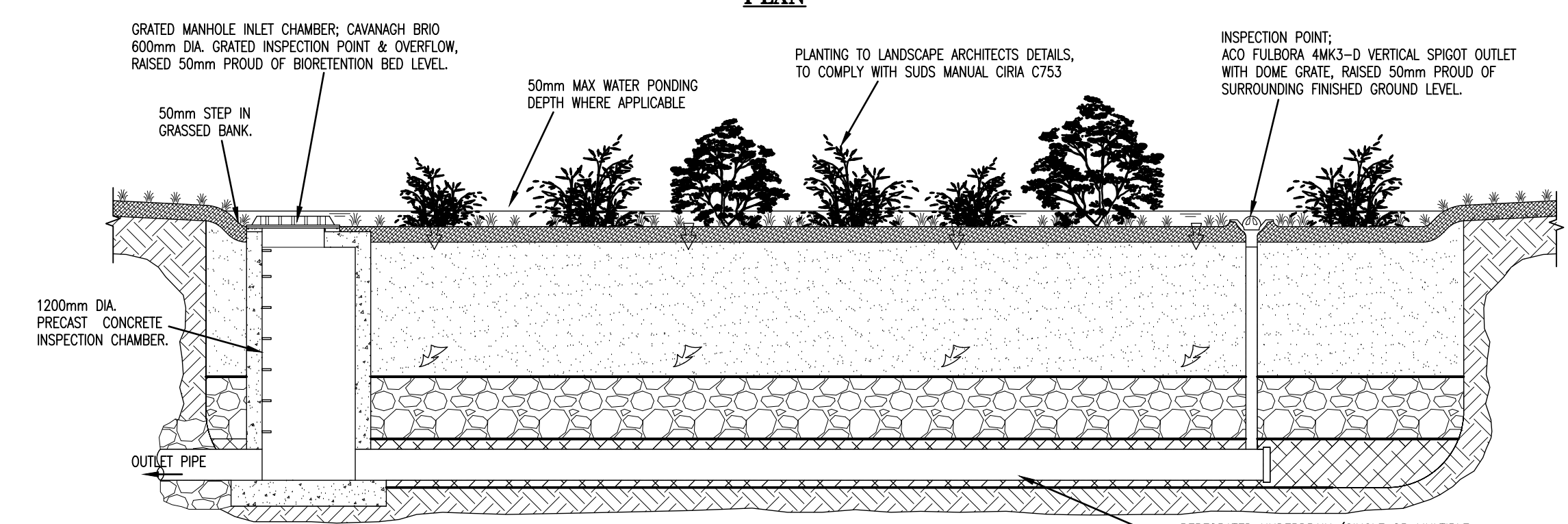


SECTION C-C
SCALE 1:25

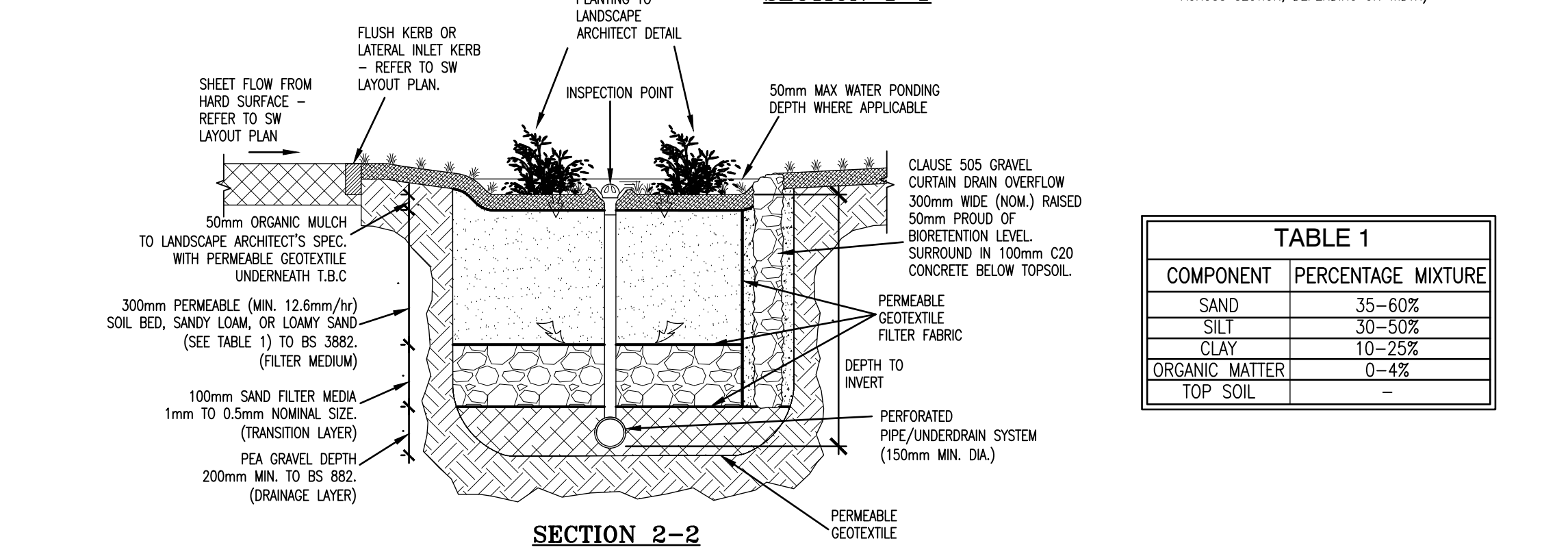


SECTION D-D
SCALE 1:25

RECTANGULAR PRECAST ROAD GULLY DETAIL



SECTION 1-1



BIORETENTION AREA / RAINGARDEN - SCHEMATIC LAYOUT
SCALE: N.T.S.

| TABLE 1 | |
|----------------|--------------------|
| COMPONENT | PERCENTAGE MIXTURE |
| SAND | 35-60% |
| SILT | 30-50% |
| CLAY | 10-25% |
| ORGANIC MATTER | 0-4% |
| TOP SOIL | - |

| Rev. | Date | By | Checked By | Revision |
|------|------------|----|------------|--------------------------------|
| A | 15/05/2023 | NS | SG | Section A-A added to Stormtech |

Status: FOR COMPLIANCE

Architect: TOT ARCHITECTS

Project: WAREHOUSING/ LOGISTICS, OFFICE & CAFE/RESTAURANT DEVELOPMENT AT CALMOUNT ROAD, DUBLIN 12

Drg.Title: DRAINAGE DETAILS - SHEET 1

THIS DOCUMENT IS THE PROPERTY OF DOHERTY FINEGAN KELLY CONSULTING ENGINEERS. THE DESIGN INFORMATION CONTAINED HEREIN IS STRICTLY CONFIDENTIAL. THIS DOCUMENT IS NOT TO BE USED, REPRODUCED, DISCLOSED OR CIRCULATED IN WHOLE OR IN PART WITHOUT THE PRIOR WRITTEN PERMISSION IN EACH INSTANCE OF DOHERTY FINEGAN KELLY CONSULTING ENGINEERS.
© PROPERTY OF DOHERTY FINEGAN KELLY CONSULTING ENGINEERS

DFK
DOHERTY FINEGAN KELLY
DOHERTY FINEGAN KELLY
CONSULTING CIVIL & STRUCTURAL ENGINEERS
Botanic Court, 30 Botanic Road,
Glasnevin, Dublin 9.
Tel:(01) 8301852 Fax:(01) 8602265
E-Mail mailroom@dfk.ie

| | | | |
|------------|----------|-------|------------|
| Drawn By | NS | Scale | AS SHOWN |
| Checked By | SG/CK | Date | 31/03/2023 |
| Drg.No. | 23002-10 | Rev. | A |