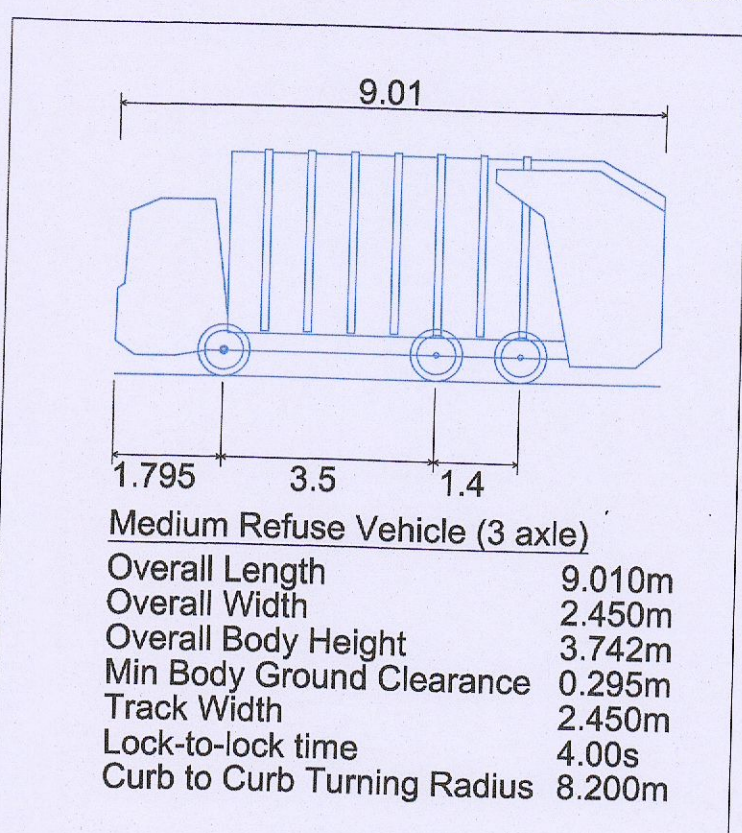
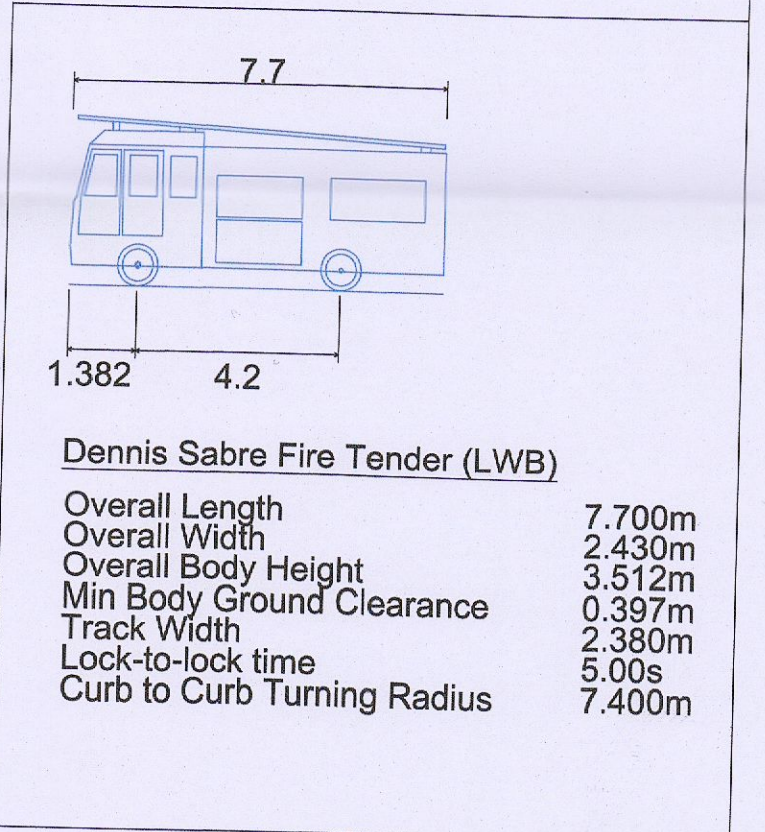


SWEPT PATH ANALYSIS-REFUSE VEHICLE 7  
 SCALE 1:500



SWEPT PATH ANALYSIS-REFUSE VEHICLE 7  
 SCALE 1:500



SWEPT PATH ANALYSIS-FIRE TENDER  
 SCALE 1:500

**PLANNING DRAWING.**  
 NOT FOR CONSTRUCTION.  
 ALL LEVELS GIVEN ARE  
 RELATIVE TO ORDNANCE DATUM.  
 THIS DRAWING HAS BEEN ISSUED FOR INFORMATION  
 PURPOSES ONLY AND MUST NOT BE USED  
 FOR CONSTRUCTION UNDER ANY CIRCUMSTANCES

**NOTES**  
 1. For setting out refer to Architect's drawings.  
 2. This drawing to be read in conjunction with all other Architectural and Engineering drawings and all other relevant drawings and Specifications.  
 3. DO NOT SCALE THIS DRAWING. Use figured dimensions only.  
 4. No part of this document may be reproduced or transmitted in any form or stored in any retrieval system of any nature without the written permission as copyright holder except as agreed for use on the project for which the document was originally issued.  
 5. Ordnance Survey Ireland Licence Number EN 0074023

Rev. No.	Date	REVISION NOTE	Dim. By	Chkd. By
P1	19.05.2022	ISSUED FOR PLANNING	SC	SS
P2	10.06.2022	REVISED AND REISSUED FOR PLANNING	SC	SS
P3	23.11.2022	REVISED AND REISSUED FOR RFI	SC	SS
P4	02.12.2022	ROAD LAYOUT REVISED	SC	SS
P5	23.02.2023	REVISED AND REISSUED FOR RFI	SC	JF
P6	26.03.2023	REVISED AND REISSUED FOR CAI RESPONSE	SC	JF

Architect	JFOC Architects
Project	Proposed Development at Newcastle, Co. Dublin
Title	Swept Path Analysis
Dwg. No.	NCA-CSC-ZZ-SI-DR-C-0015
Date	May 2022
Dim. by	JMC
Chkd. by	SS
Apprd. by	OS
Scale	1:500 @ A1
Revision	P6

**CS Consulting Group**  
 DUBLIN | LONDON | LIMERICK

Head Office  
 19-22 Dame Street, Dublin 2.  
 T: +353 (0)1 5480863  
 e: info@csconsulting.ie  
 w: www.csconsulting.ie

Quality  
 Environment  
 Energy  
 Health & Safety

I.S. EN ISO 9001:2008  
 I.S. EN ISO 14001:2004  
 I.S. EN ISO 50001:2011  
 OHSAS 18001:2007

D098