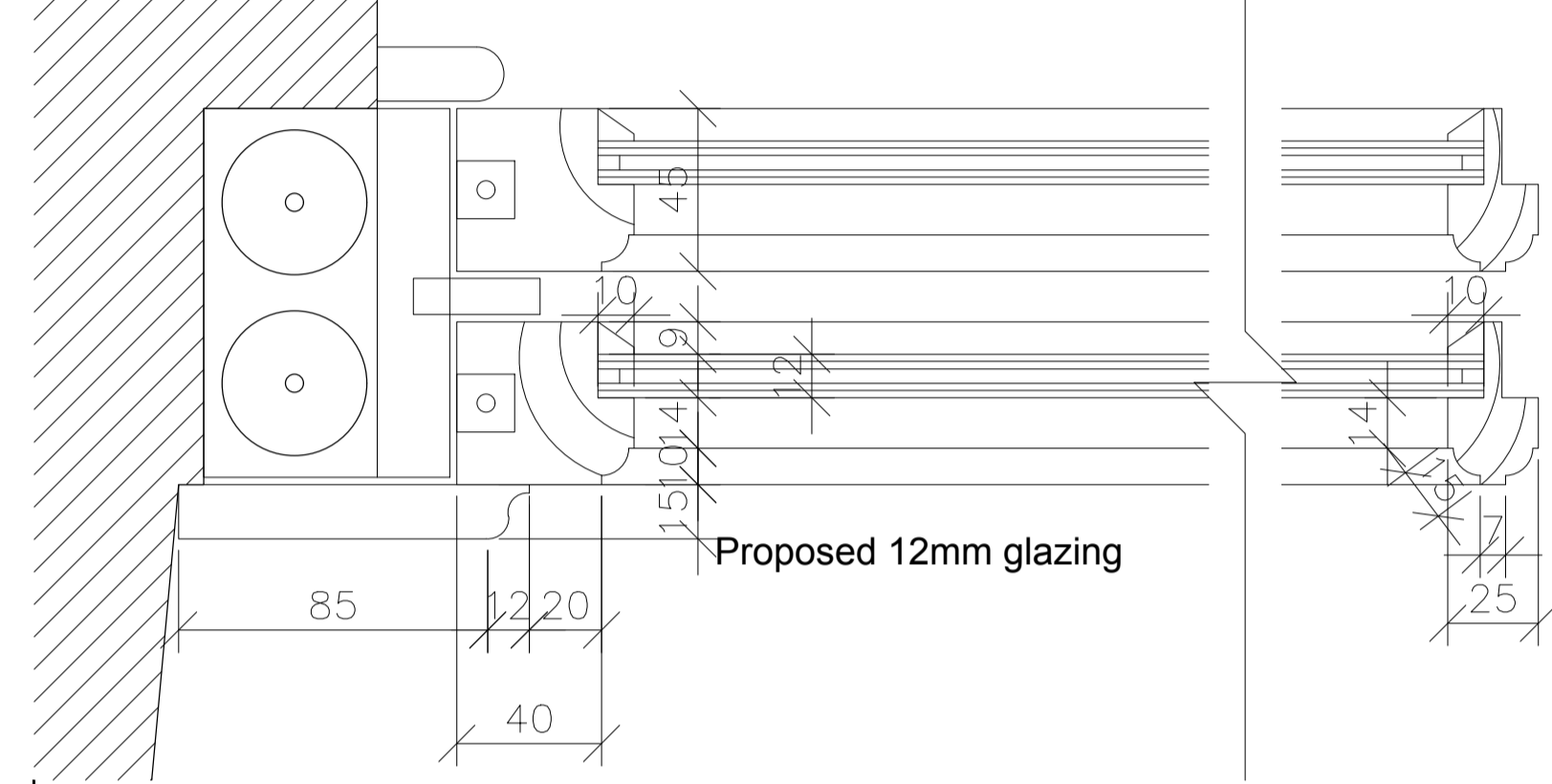


BLOCK B: EXISTING WINDOW TYPE K1 & K2

■ scale 1:2



BLOCK B: PROPOSED WINDOW TYPE K1 & K2

■ scale 1:2

Drawing Status
FURTHER INFORMATION
 (Planning Reference SD22A/0153)
 Date 18/04/2023
 Issued By FKP

BLOCK B: WINDOW TYPE K1 (WD201/202/203/204/205/206/207/208)

■ scale 1:10

BLOCK B: WINDOW TYPE K2 (WD212/213/214/215/216/217/218)

■ scale 1:10

DATE	INITIAL	NOTE
G		
H		
I		
J		
K		
L		

DATE	INITIAL	NOTE
A		
B		
C		
D		
E		
F		

THIS DRAWING IS COPYRIGHT. FIGURED DIMS. TO BE USED IN ALL CASES.

CAD FILE REF.
29-25-SV-500/DRAWING/FI

SCALE
1:10/2 @ A1

DRAWN BY
GK

CHECKED FOC

DATE
Sept 2022

JOB
1925
Gaelcholáiste an Phiarsaigh
Rathfarnham

CLIENT
Department of Education

TITLE
Window Details - Block B
Type K1 & K2

DRAWING NUMBER
1925-SV-508

REVISION



1 Mount Street Crescent, Dublin 2, D02 XF57, Ireland. Tel +353 1 676 4128 Fax +353 1 668510 Email info@fka.ie www.fka.ie