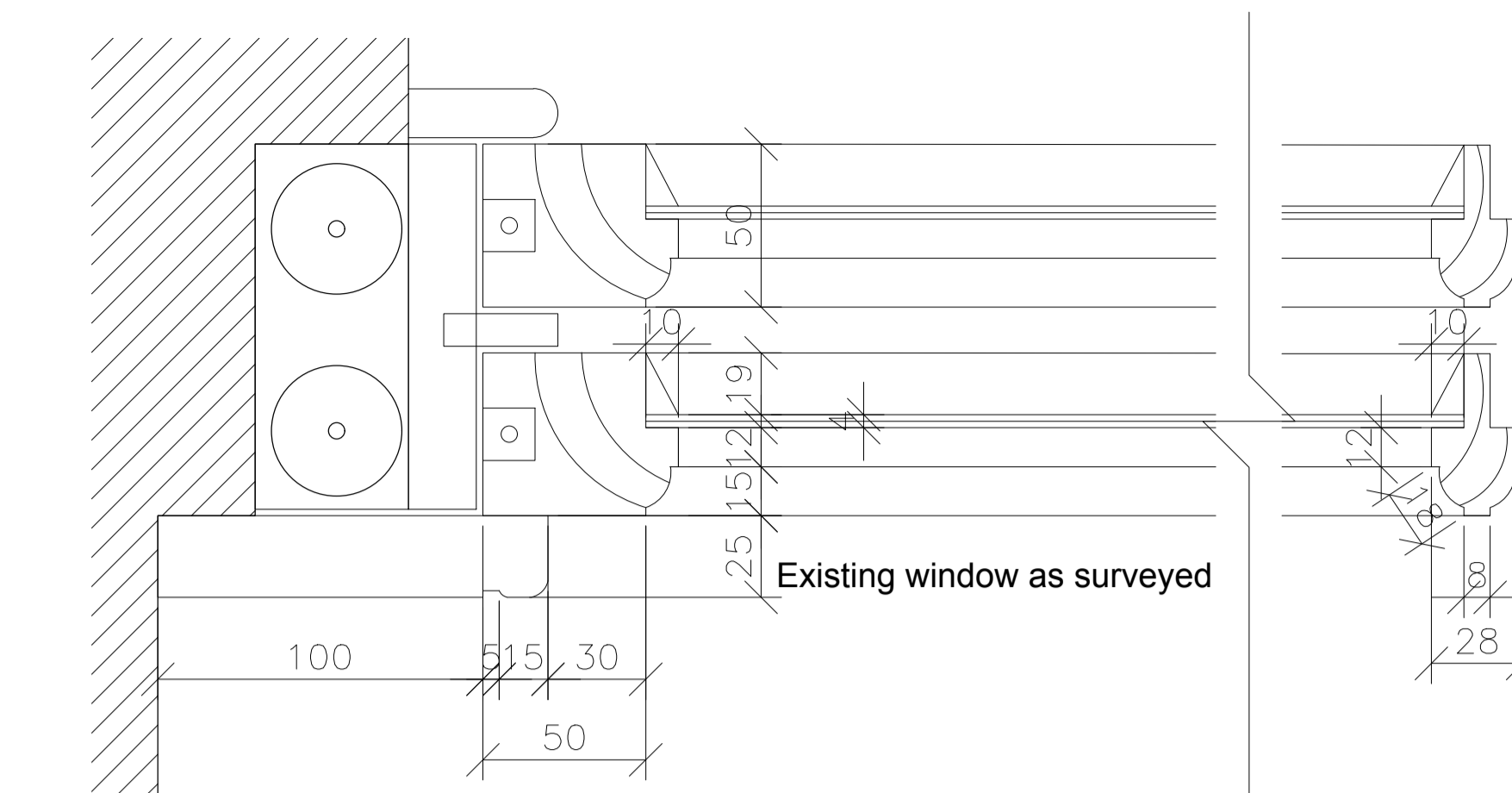


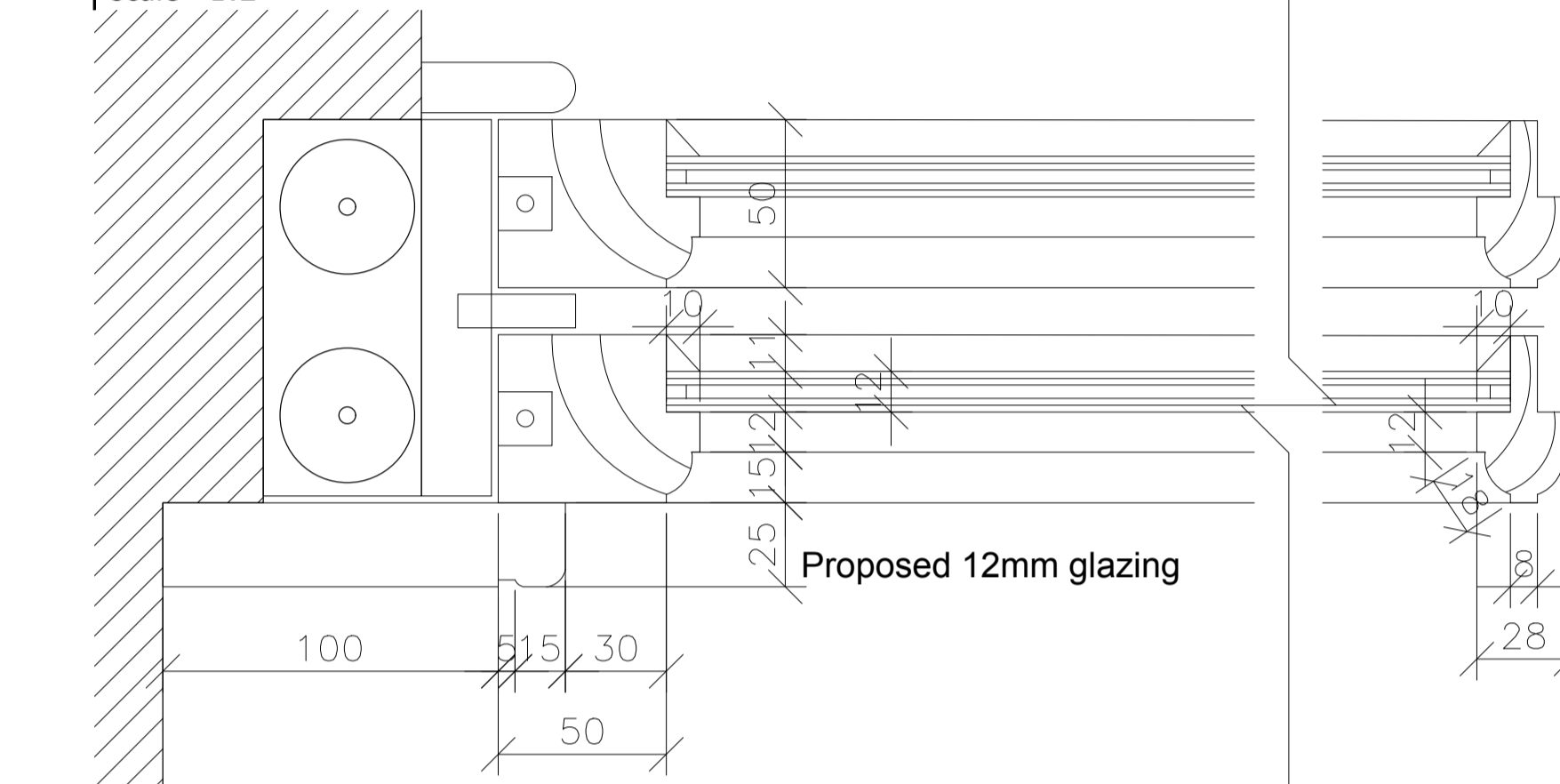
Drawing Status
FURTHER INFORMATION
 (Planning Reference SD22A/0153)
 Date 18/04/2023
 Issued By FKP

BLOCK B: WINDOW TYPE C (WD016/017/018/021/022/023)
 ■ scale 1:10

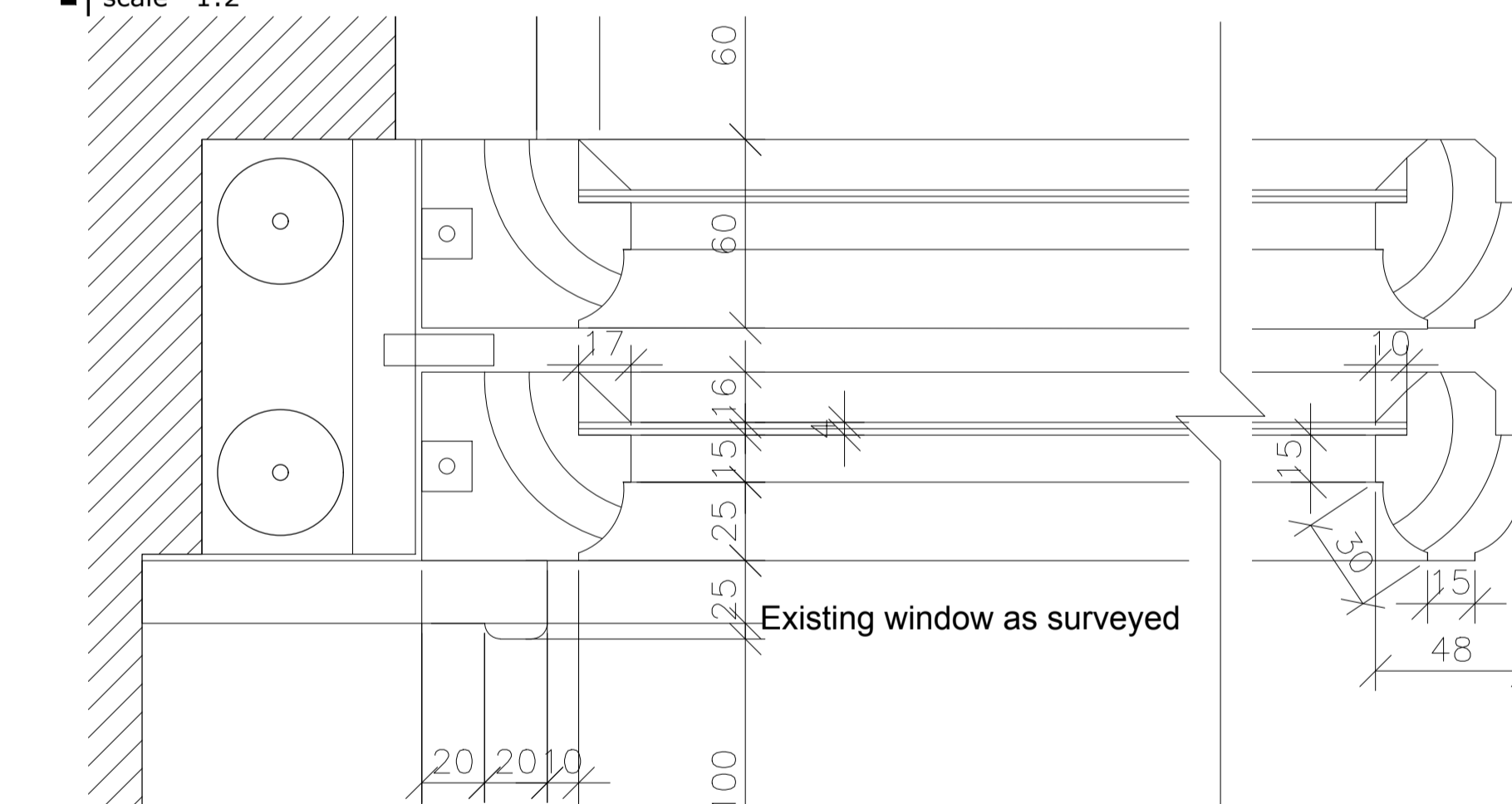
BLOCK B: WINDOW TYPE D (WD019)
 ■ scale 1:10



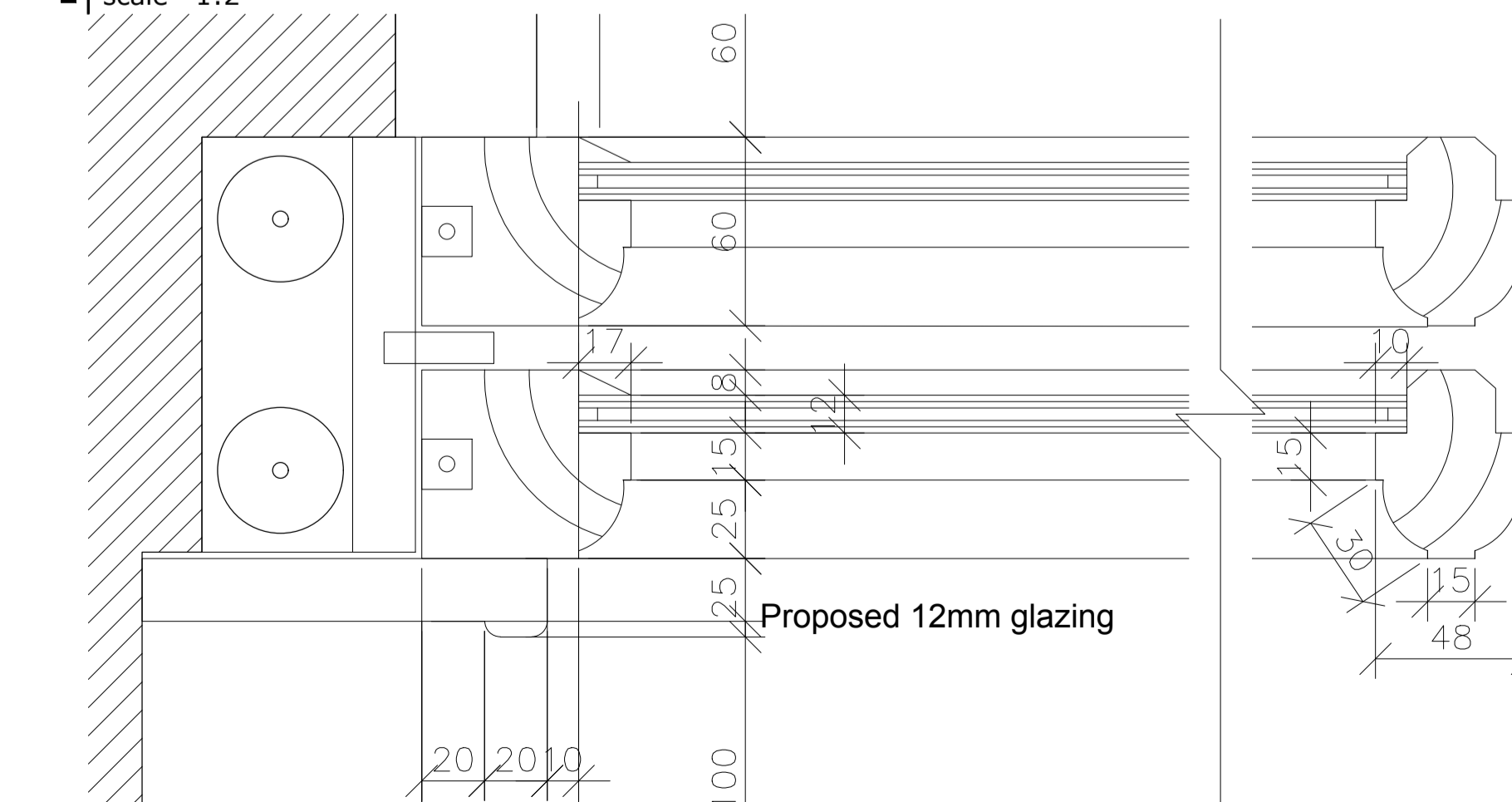
BLOCK B: EXISTING WINDOW TYPE C
 ■ scale 1:2



BLOCK B: PROPOSED WINDOW TYPE C
 ■ scale 1:2



BLOCK B: EXISTING WINDOW TYPE D
 ■ scale 1:2



BLOCK B: PROPOSED WINDOW TYPE D
 ■ scale 1:2

DATE	INITIAL	NOTE
G		
H		
I		
J		
K		
L		

DATE	INITIAL	NOTE
A		
B		
C		
D		
E		
F		

THIS DRAWING IS COPYRIGHT. FIGURED DIMS. TO BE USED IN ALL CASES.

CAD FILE REF.	29-25-SV-500/DRAWING/FI
SCALE	1:10/2 @ A1
DRAWN BY	GK
CHECKED	FOC
DATE	Sept 2022
JOB	1925 Gaelcholáiste an Phiarsaigh Rathfarnham
CLIENT	Department of Education
TITLE	Window Details - Block B Type C & D
DRAWING NUMBER	1925-SV-504
REVISION	



1 Mount Street Crescent, Dublin 2, D02 XF57, Ireland. Tel +353 1 676 4128 Fax +353 1 668510 Email info@fkp.ie www.fkp.ie