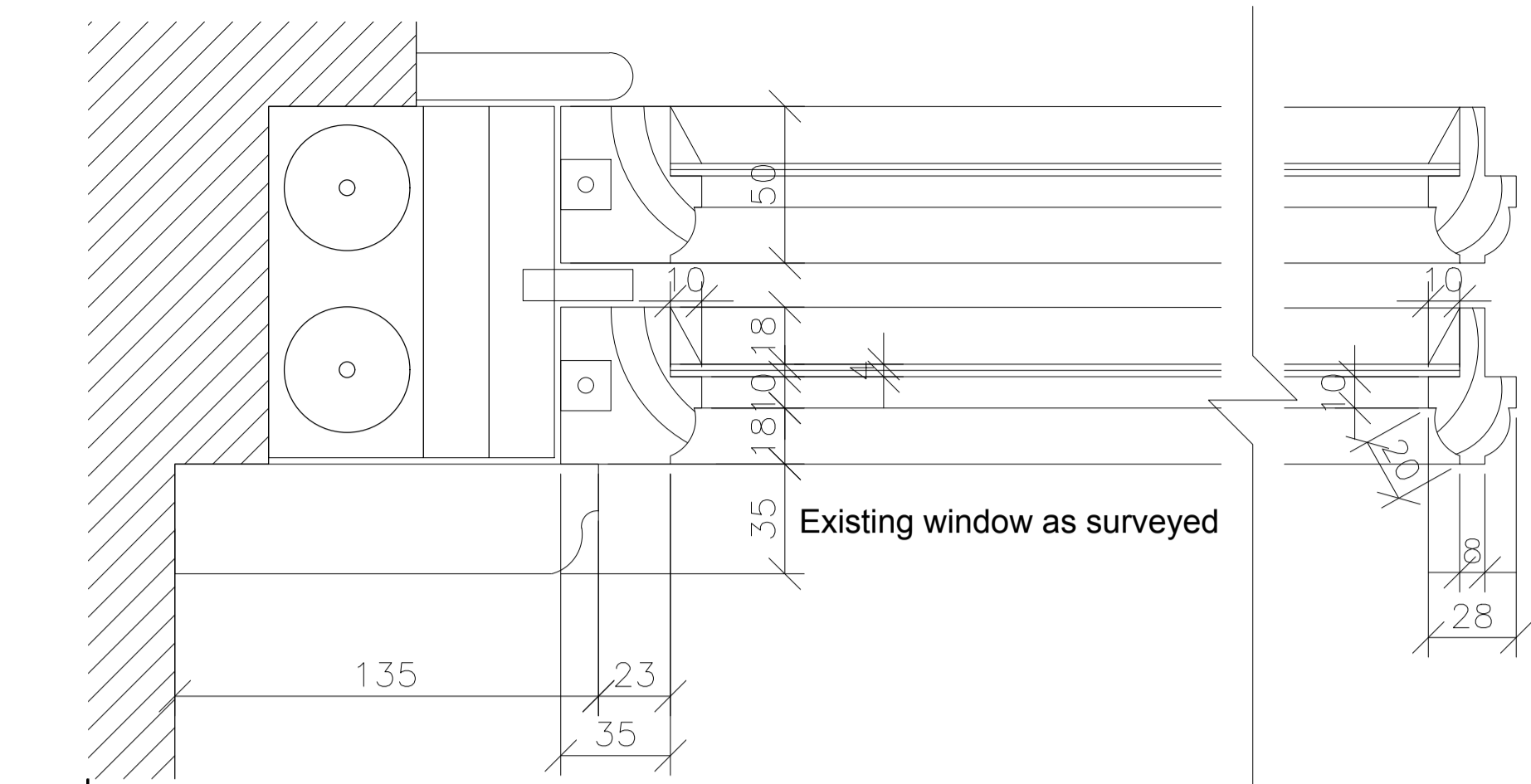


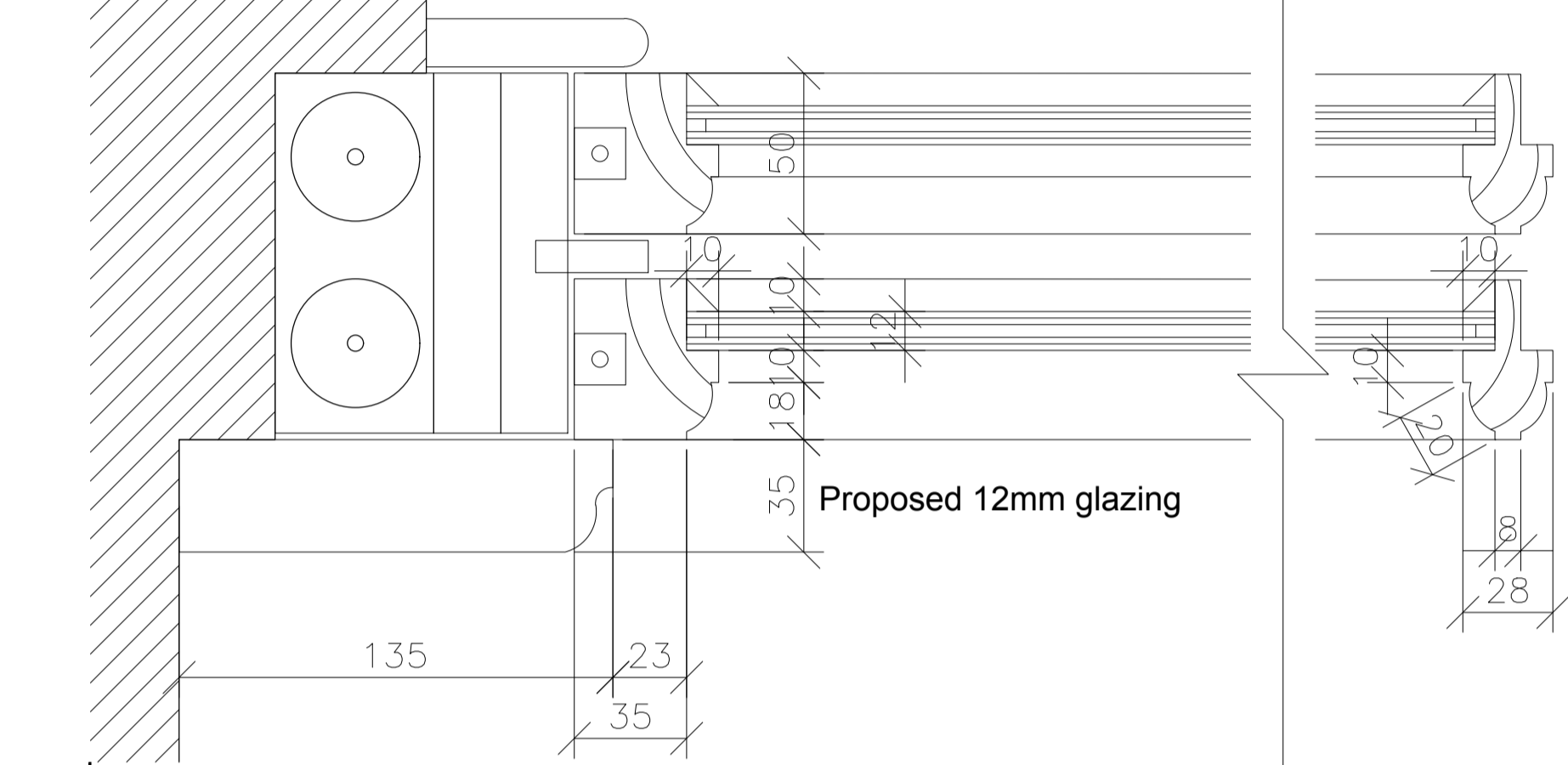
■ BLOCK B: WINDOW TYPE A (WD011/012/013/015)
■ scale 1:10

■ BLOCK B: WINDOW TYPE B (WD014)
■ scale 1:10

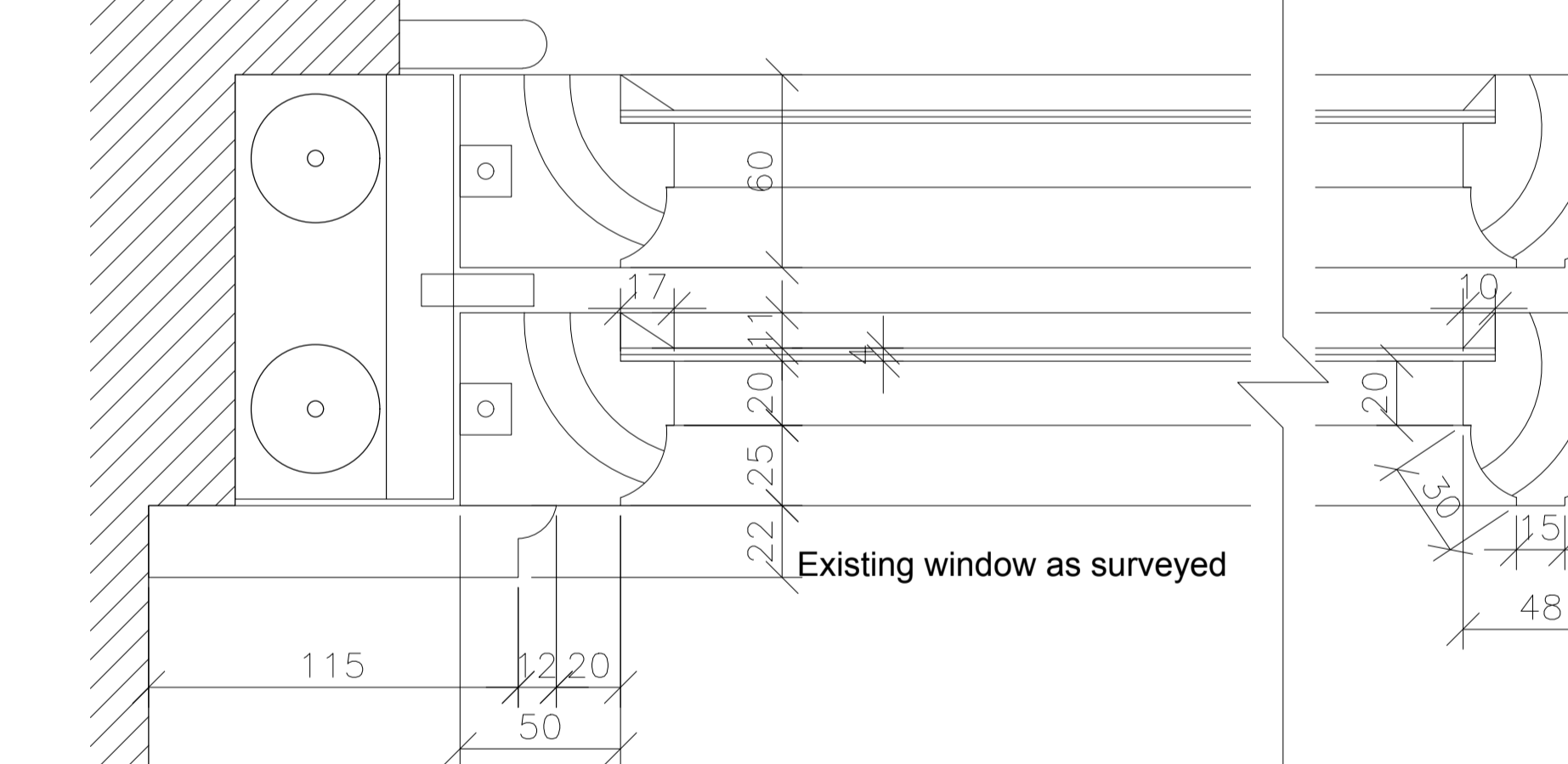
Drawing Status
FURTHER INFORMATION
 (Planning Reference SD22A/0153)
 Date 18/04/2023
 Issued By FKP



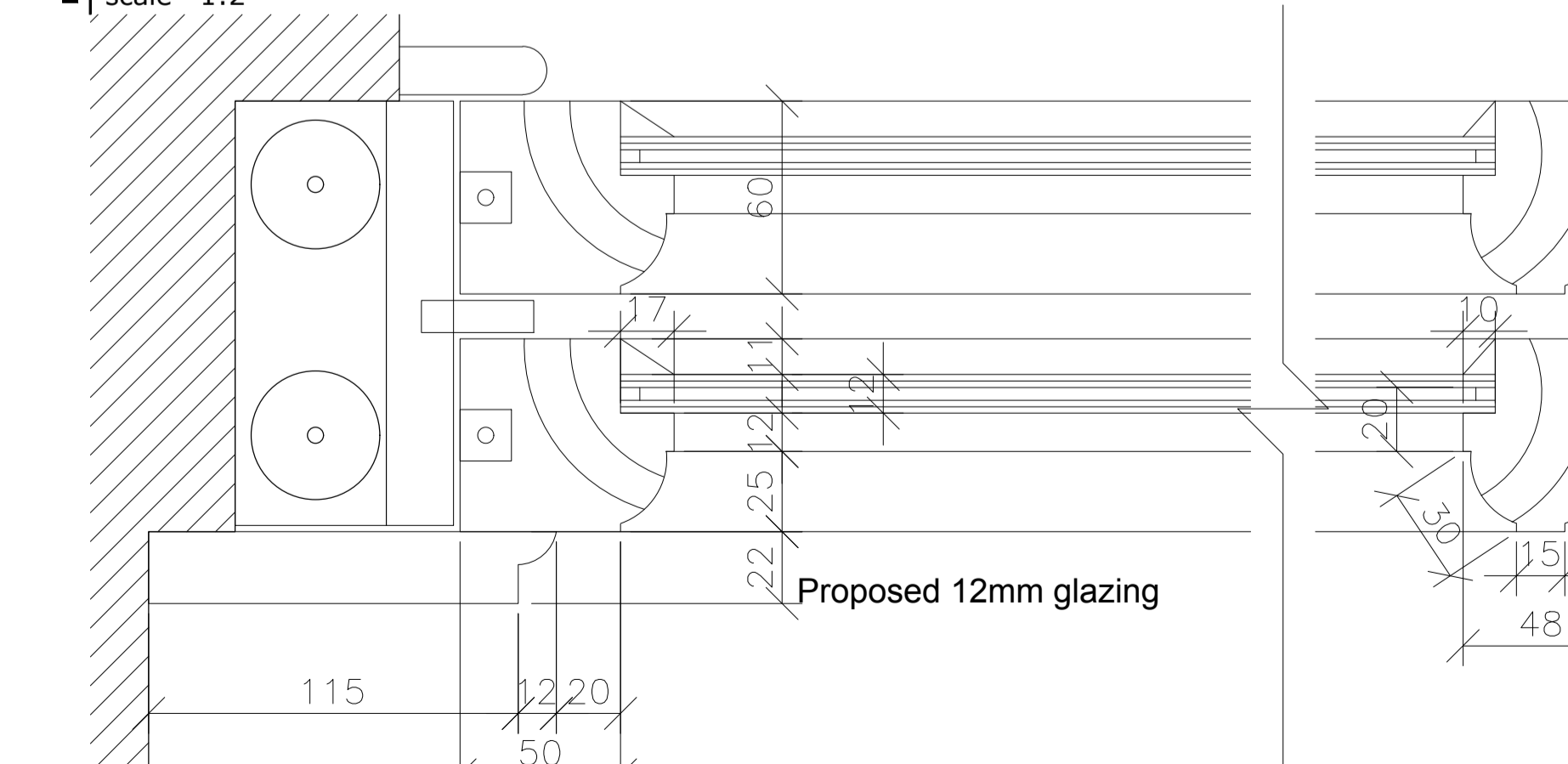
■ BLOCK B: EXISTING WINDOW TYPE A
■ scale 1:2



■ BLOCK B: PROPOSED WINDOW TYPE A
■ scale 1:2



■ BLOCK B: EXISTING WINDOW TYPE B
■ scale 1:2



■ BLOCK B: PROPOSED WINDOW TYPE B
■ scale 1:2

| DATE | INITIAL | NOTE |
|------|---------|------|
| G | | |
| H | | |
| I | | |
| J | | |
| K | | |
| L | | |

| DATE | INITIAL | NOTE |
|------|---------|------|
| A | | |
| B | | |
| C | | |
| D | | |
| E | | |
| F | | |

THIS DRAWING IS COPYRIGHT. FIGURED DIMS. TO BE USED IN ALL CASES.

CAD FILE REF.
29-25-SV-500/DRAWING/FI

SCALE
1:10/2 @ A1

DRAWN BY
GKN

CHECKED FOC

DATE
Sept 2022

JOB
1925
Gaelcholáiste an Phiarsaigh
Rathfarnham

CLIENT
Department of Education

TITLE
Window Details - Block B
Type A & B

DRAWING NUMBER
1925-SV-503

REVISION

