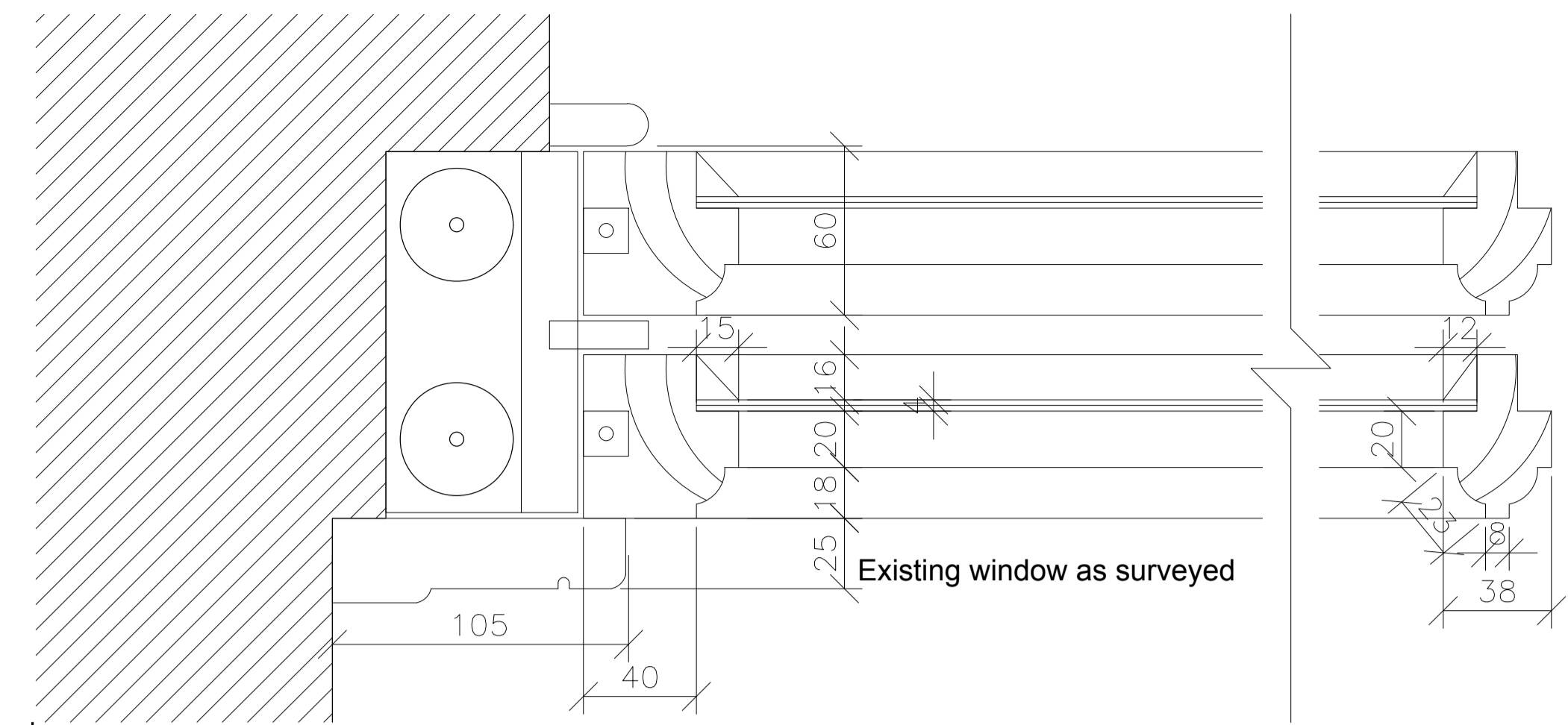


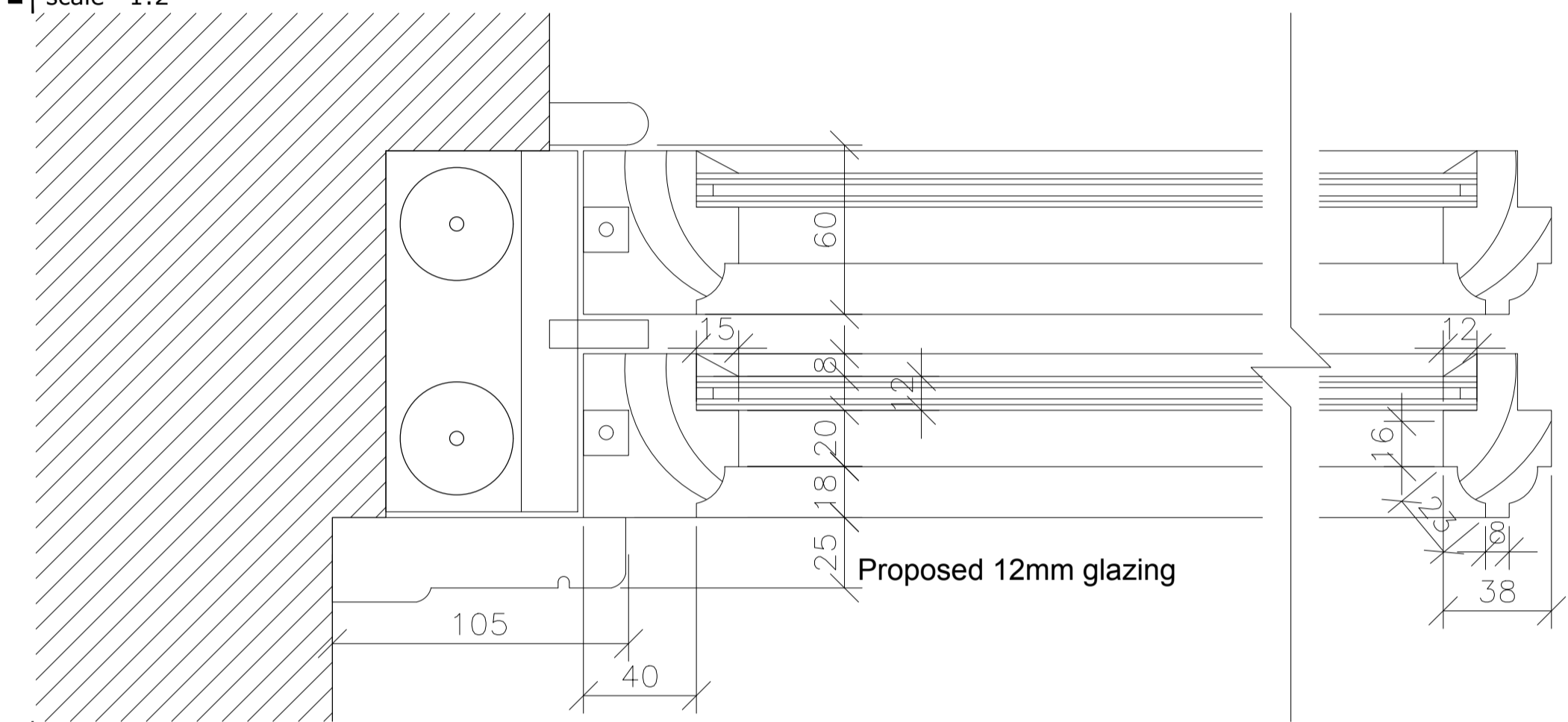
Drawing Status  
**FURTHER INFORMATION**  
 (Planning Reference SD22A/0153)  
 Date 18/04/2023  
 Issued By FKP

BLOCK A: WINDOW TYPE A (LHS) (WD116 & 315/316/317 & 002/003/004/005/006/009/010/011/012/013/014/015/016/017/018)  
 ■ scale 1:10

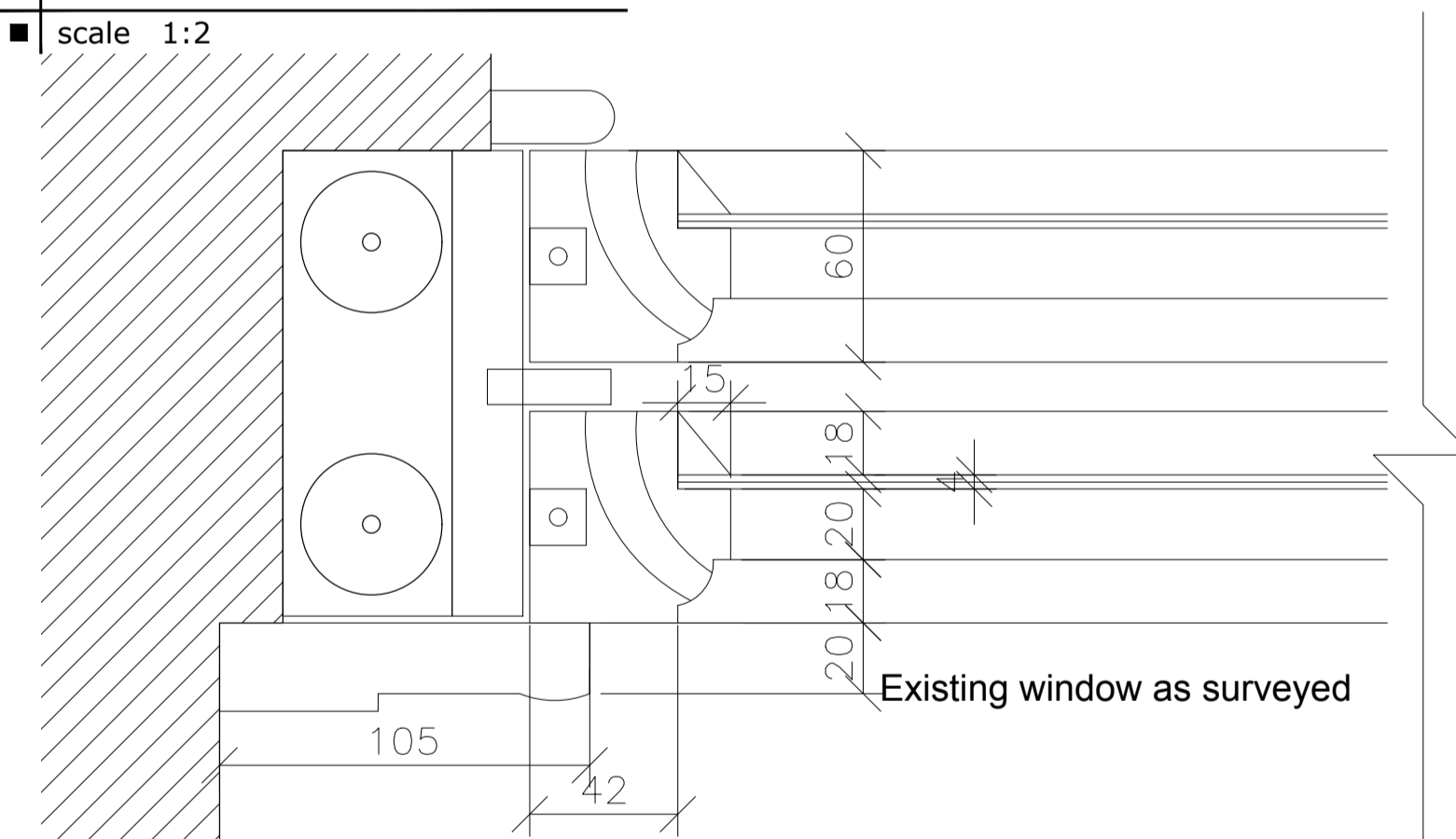
BLOCK A: WINDOW TYPE B (RHS) (WD101 & 222/223/224/225 & 201/221 & 019/020 & 007/008 & 121 & 122 /123 & WD124/125 & 001)  
 ■ scale 1:10



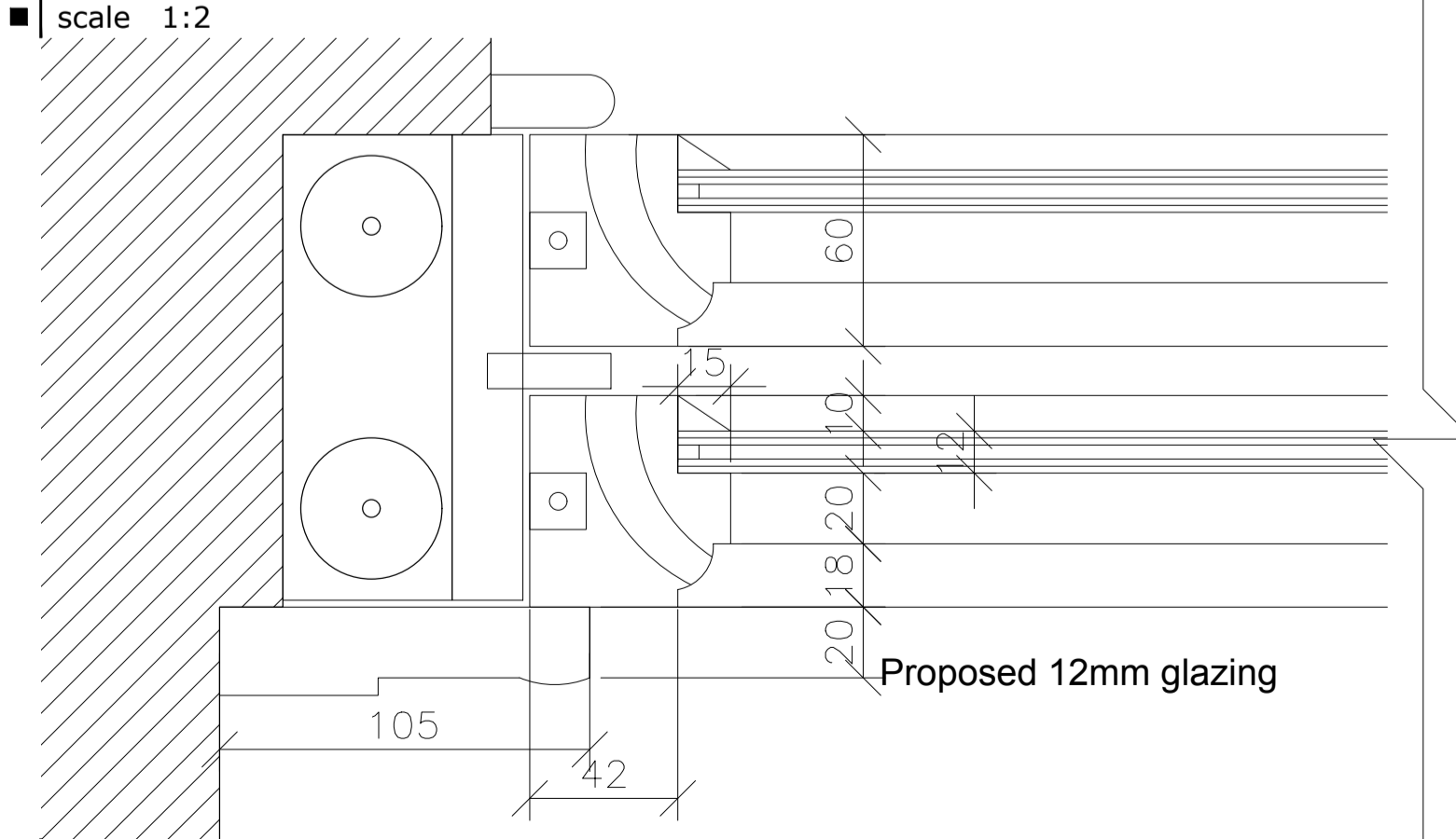
BLOCK A: EXISTING WINDOW TYPE A  
 ■ scale 1:2



BLOCK A: PROPOSED WINDOW TYPE A  
 ■ scale 1:2



BLOCK A: EXISTING WINDOW TYPE B  
 ■ scale 1:2



BLOCK A: PROPOSED WINDOW TYPE B  
 ■ scale 1:2

DATE	INITIAL	NOTE
G	H	I
J	K	L

DATE	INITIAL	NOTE
A	B	C
D	E	F

THIS DRAWING IS COPYRIGHT. FIGURED DIMS. TO BE USED IN ALL CASES.

CAD FILE REF. 29-25-SV-500/DRAWING/FI

SCALE 1:10/2 @ A1

DRAWN BY GWK

CHECKED FOC

DATE Sept 2022

JOB 1925 Gaelcholáiste an Phiarsaigh Rathfarnham

CLIENT Department of Education

TITLE Window Details - Block A Type A & B

DRAWING NUMBER 1925-SV-501

REVISION

