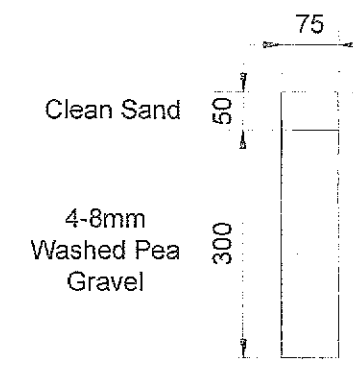
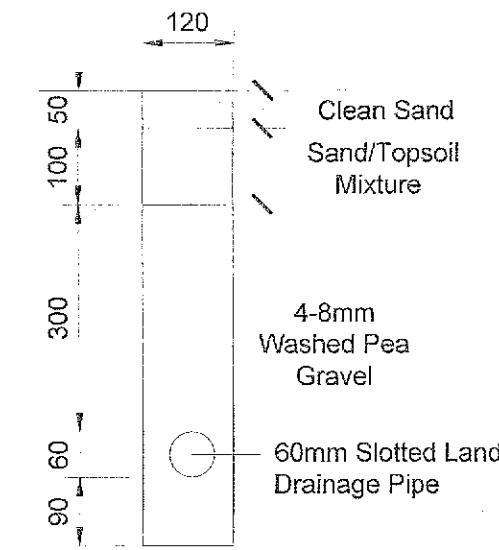


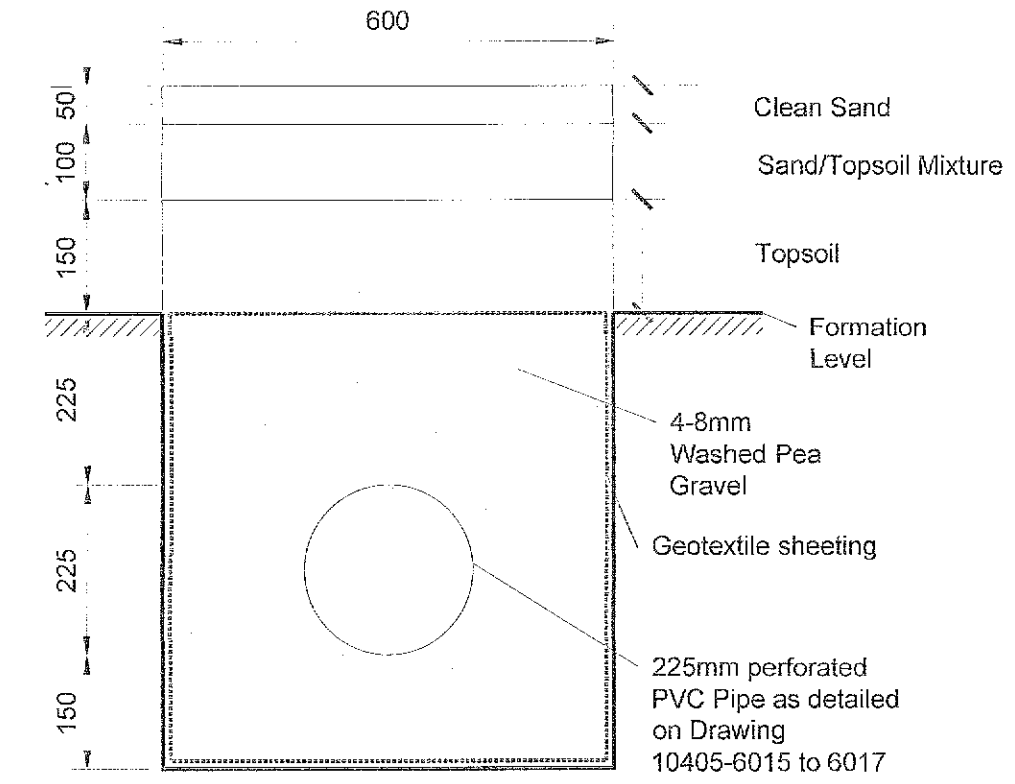
Typical Make-Up of Natural Grass 'Sand Topped' Pitch
Scale @A1 1:10



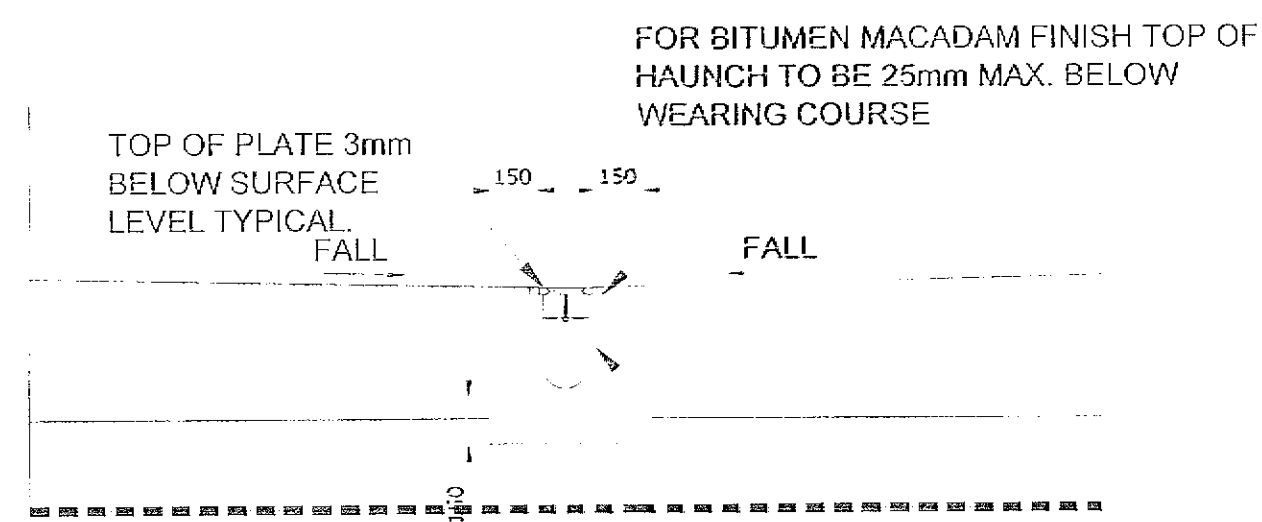
Typical Grass Pitch Slit Drain @ max 0.50m c/c
Scale @A1 1:10



Typical Grass Pitch French Drain max @ 10.0m c/c
Scale @A1 1:10

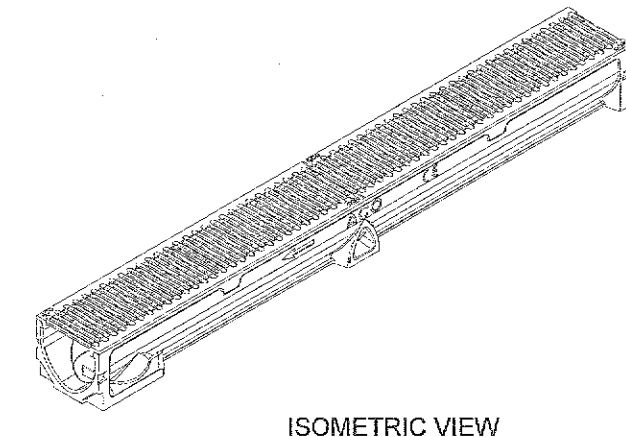


Typical Collector Drain in Grass Pitch
Scale @A1 1:10

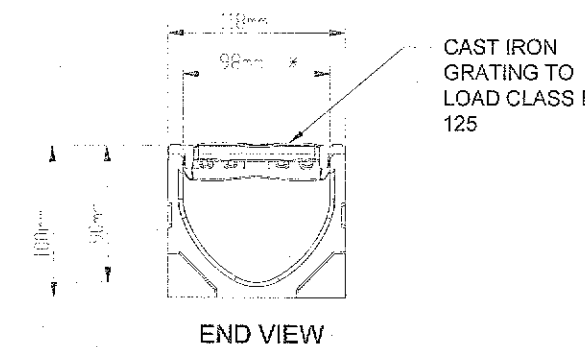


TYPICAL SECTION THROUGH CHANNEL/TRENCH DRAIN IN BALL COURT
SCALE 1:25

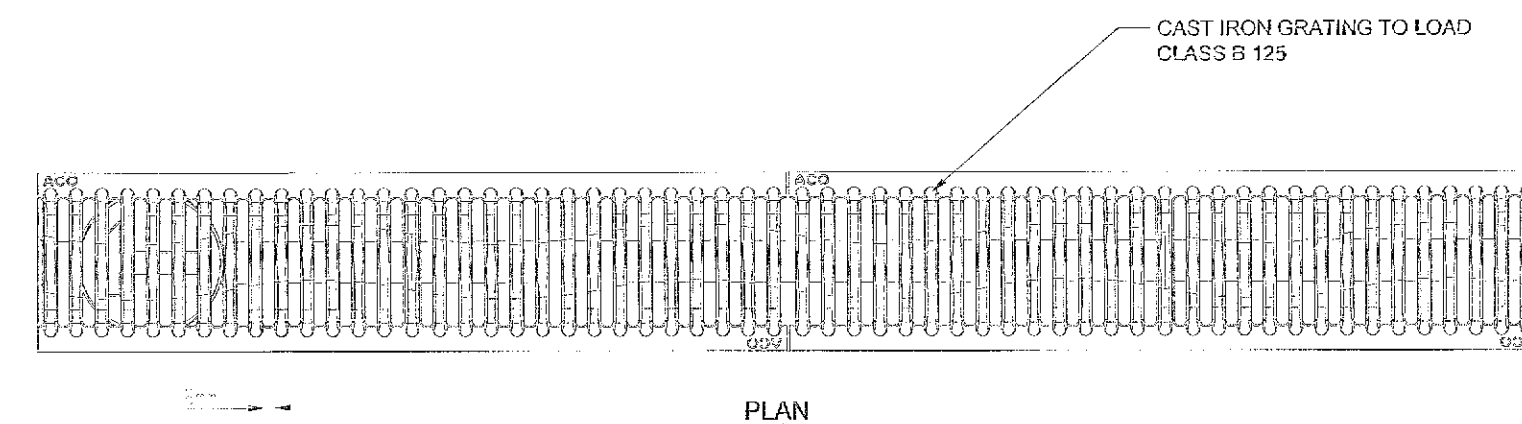
TRENCH DRAIN. SEE DWG 8064-6001 FOR EXTENT & DWG 8064-6042 FOR DETAILS.



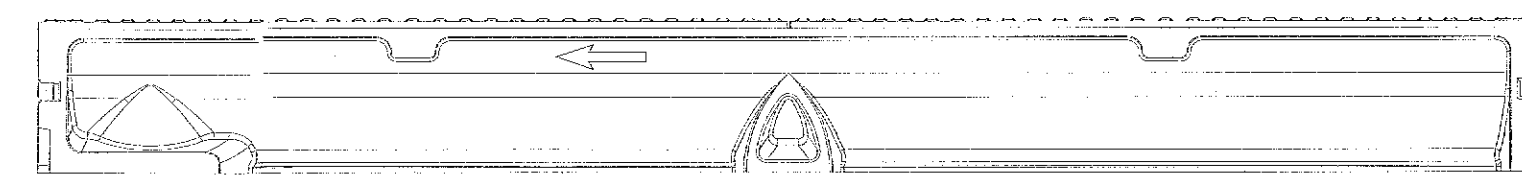
ISOMETRIC VIEW



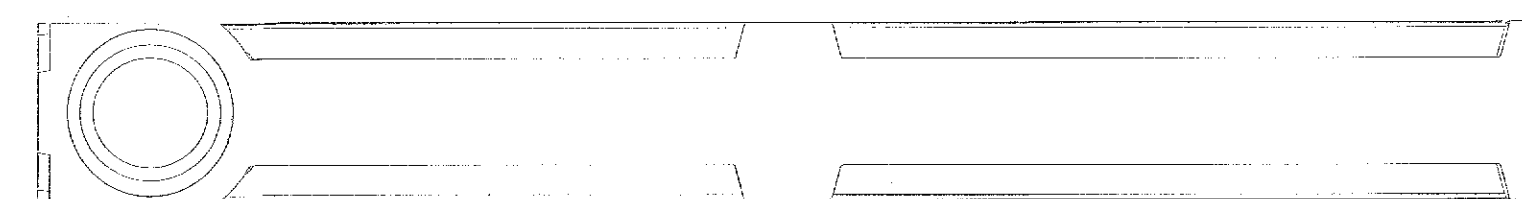
END VIEW



PLAN



ELEVATION



BOTTOM VIEW

CHANNEL DRAIN

NOTES:

- FIGURED DIMENSIONS ONLY TO BE TAKEN FROM THIS DRAWING.
- ALL DRAWINGS TO BE CHECKED BY THE CONTRACTOR ON SITE.
- ENGINEER/EMPLOYERS REPRESENTATIVE, AS APPROPRIATE, TO BE INFORMED BY THE CONTRACTOR OF ANY DISCREPANCIES BEFORE ANY WORK COMMENCES.
- THE CONTRACTOR SHALL UNDERTAKE A THOROUGH CHECK FOR THE ACTUAL LOCATION OF ALL SERVICES/UTILITIES, ABOVE AND BELOW GROUND, BEFORE ANY WORK COMMENCES.
- ALL LEVELS SHOWN RELATE TO ORDNANCE SURVEY DATUM AT MALIN HEAD.

Rev	Date	Description	By	Chkd
P01	22/03/2023	ISSUED FOR PLANNING	PF	KH

Client:

Project: **DoES ADAPT LOT 6.1 & 6.2 CLONDALKIN**

Title: **PROPOSED PITCH & BALLCOURT DRAINAGE DETAILS**

Scale @ A1: **AS SHOWN**
 Prepared by: **P. FANNING** Checked: **K. HIGGINS** Date: **JAN' 2023**
 Project Director: **BRIAN CARROLL**
 Drawing Status: **PLANNING**

TOBIN
 CONSULTING ENGINEERS
 TOBIN Consulting Engineers,
 Block 10-4, Blanchardstown Corporate Park,
 Dublin 15, Ireland.
 tel: +353-(0)1-8030406
 fax: +353-(0)1-8030409
 e-mail: dublin@tobin.ie
 www.tobin.ie

Drawing No.: **8064-2145 P01** Revision: