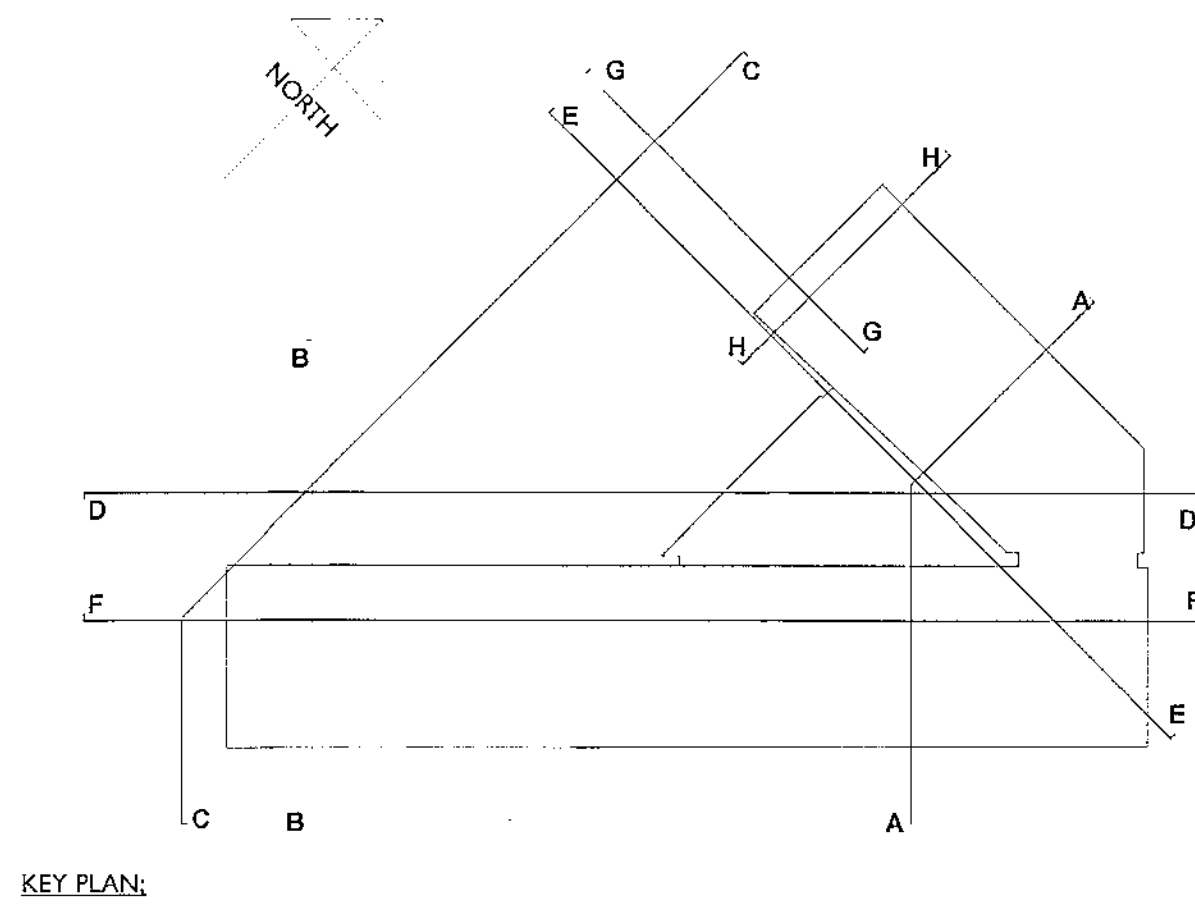
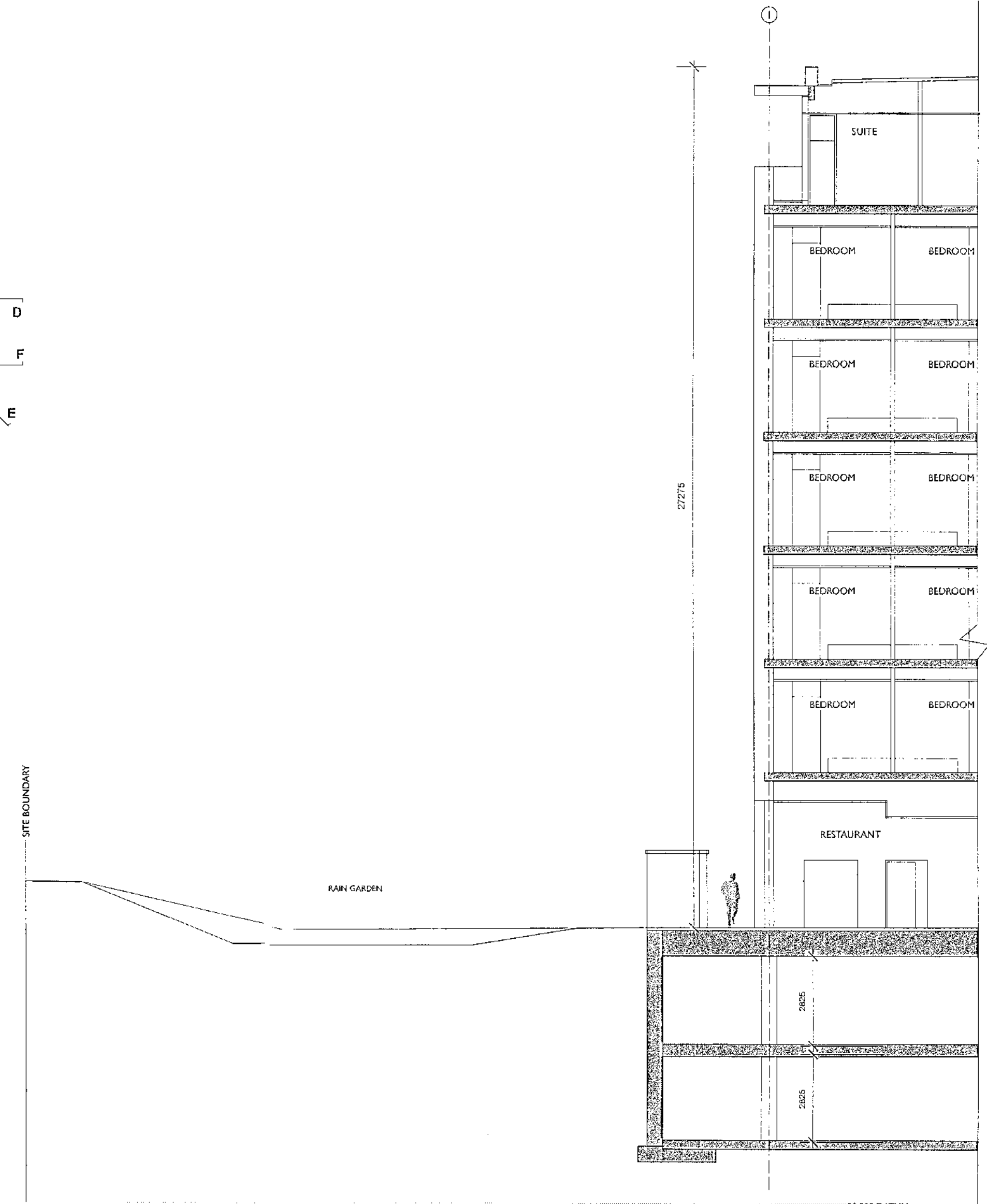


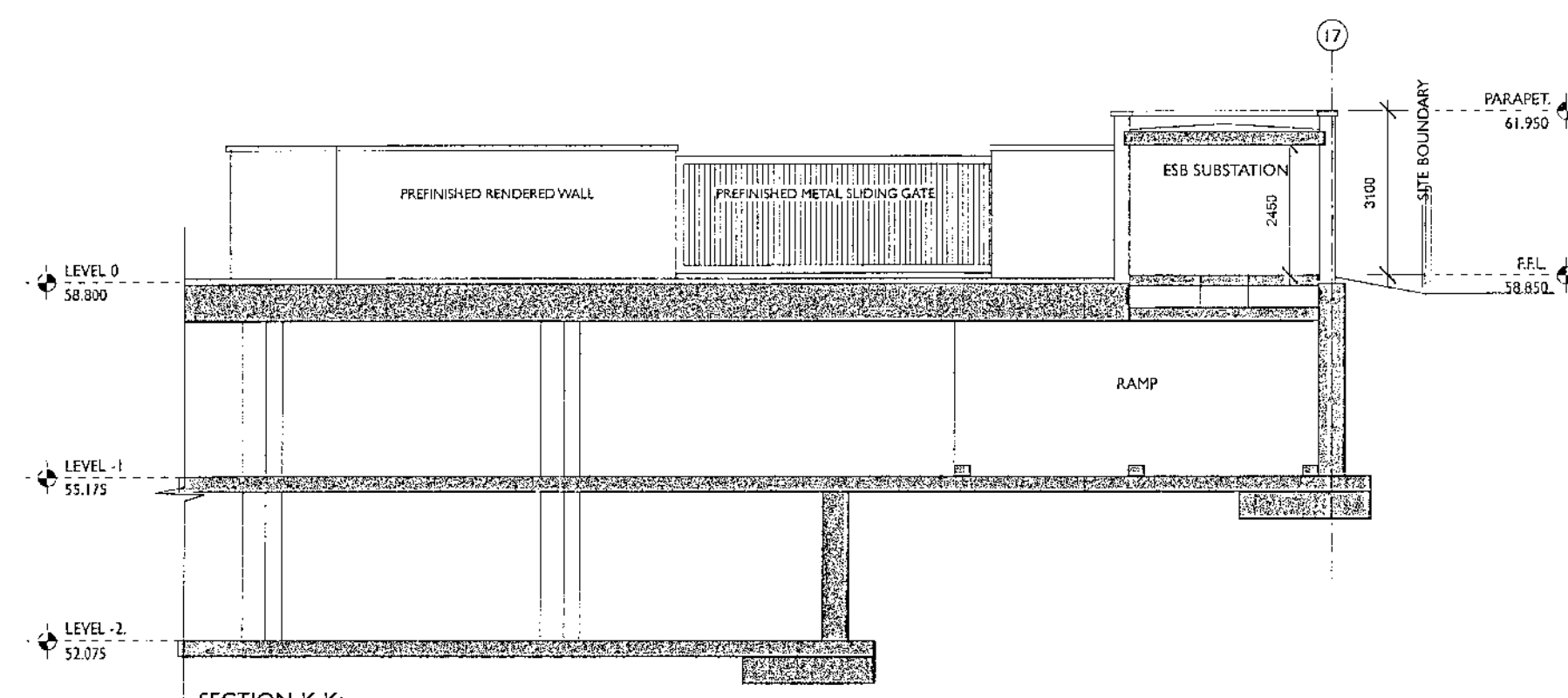
SECTION B-B



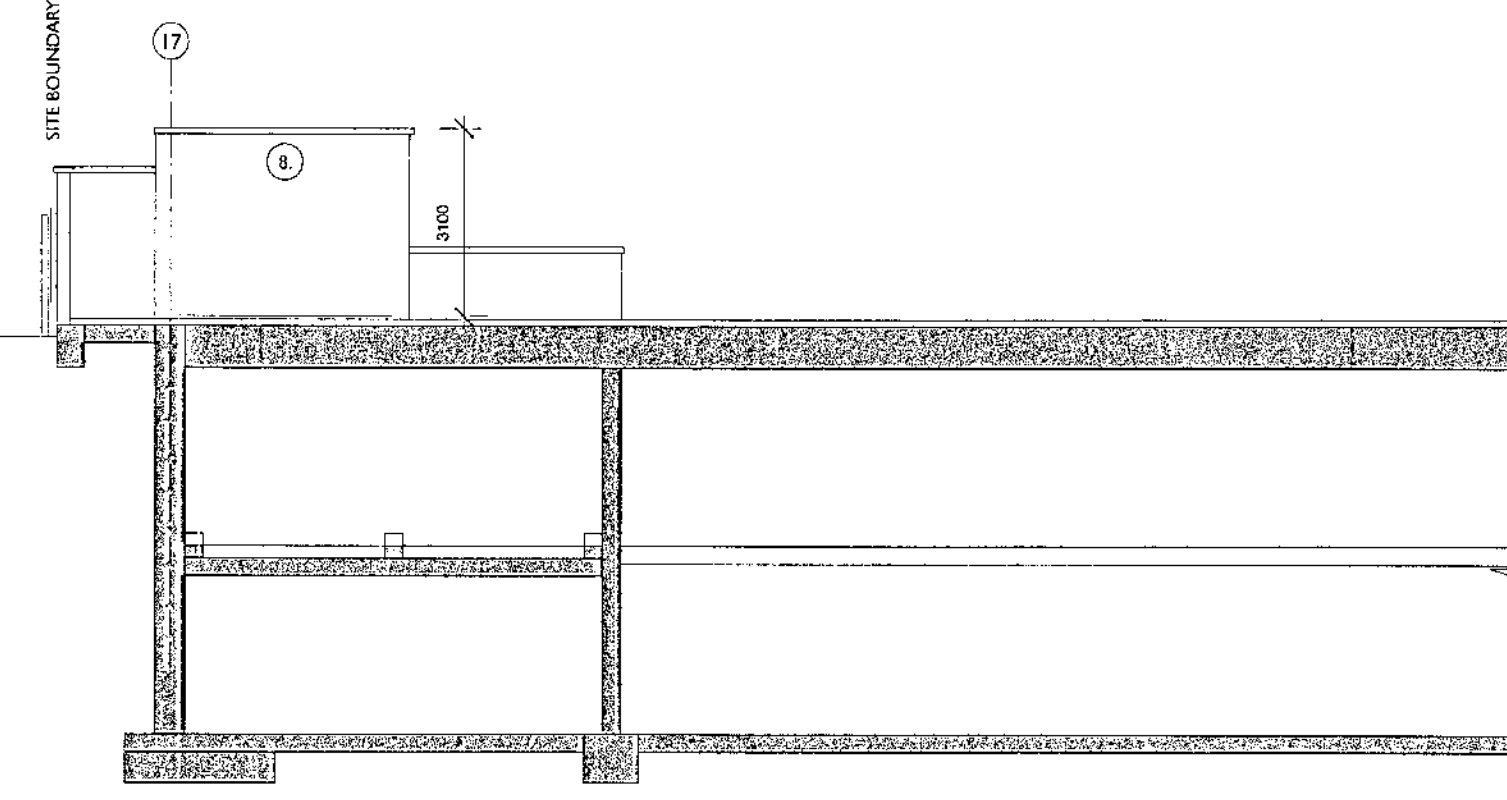
KEY PLAN



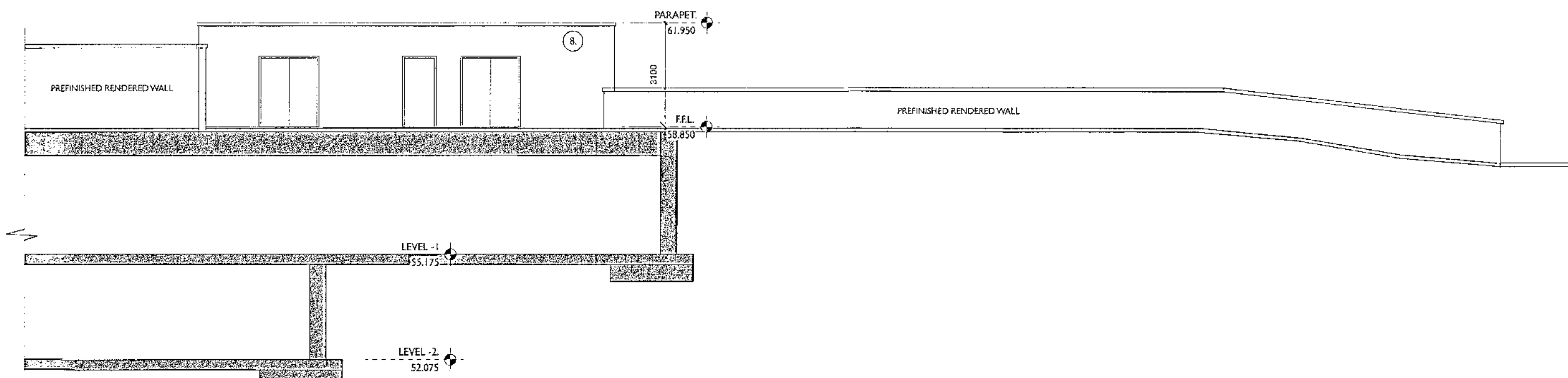
SECTION L-L



SECTION K-K



SUB-STATION SOUTH ELEVATION



SUB-STATION EAST ELEVATION

EXTERNAL FINISHES SPECIFICATIONS

- (B) PREFINISHED RENDER TO MASONRY WALL

AI PLANNING DRAWING; 15.03.2023

REV	DATE	DESCRIPTION
A	15.03.2023	REVISED TO AI SUBMISSION

PROJECT SITE D, LIFFEY VALLEY, DUBLIN 22.

TITLE PLANNING DRAWING; SECTION B-B & SECTION L-L, SUBSTATION ELEVATIONS AND SECTION J-J & K-K.

CLIENT WINMAR DEVELOPMENTS UNLIMITED COMPANY.

**EMD Architects**  
 107 Ludford Road, Ballinteer, Dublin 16, Ireland  
 p +353 1 2987918 f +353 1 2960811 e info@emdarchitects.com

SCALE	DATE	DWG No.
1:125 @ A1/1:250 @ A3	Sept. 2022	P - 24A