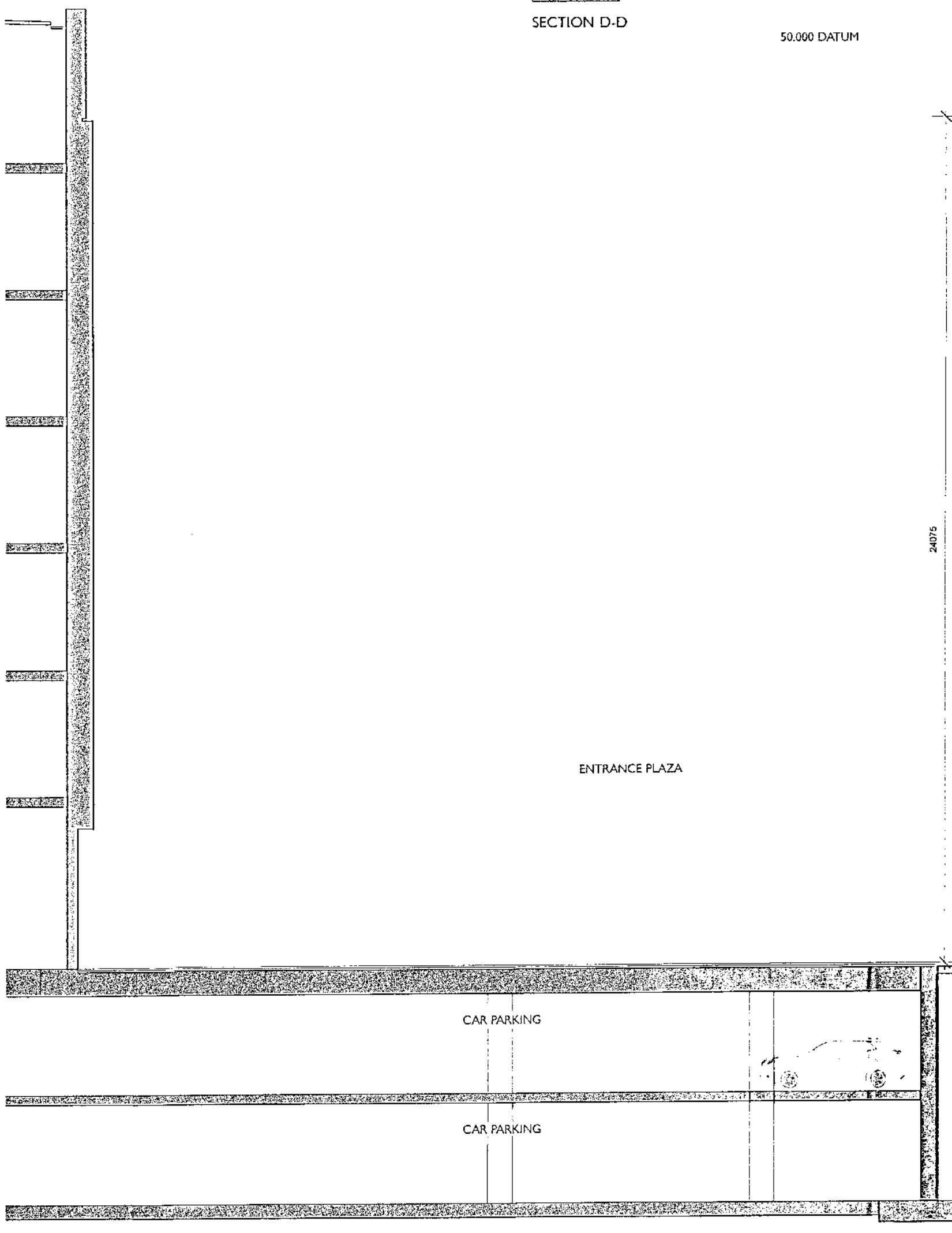
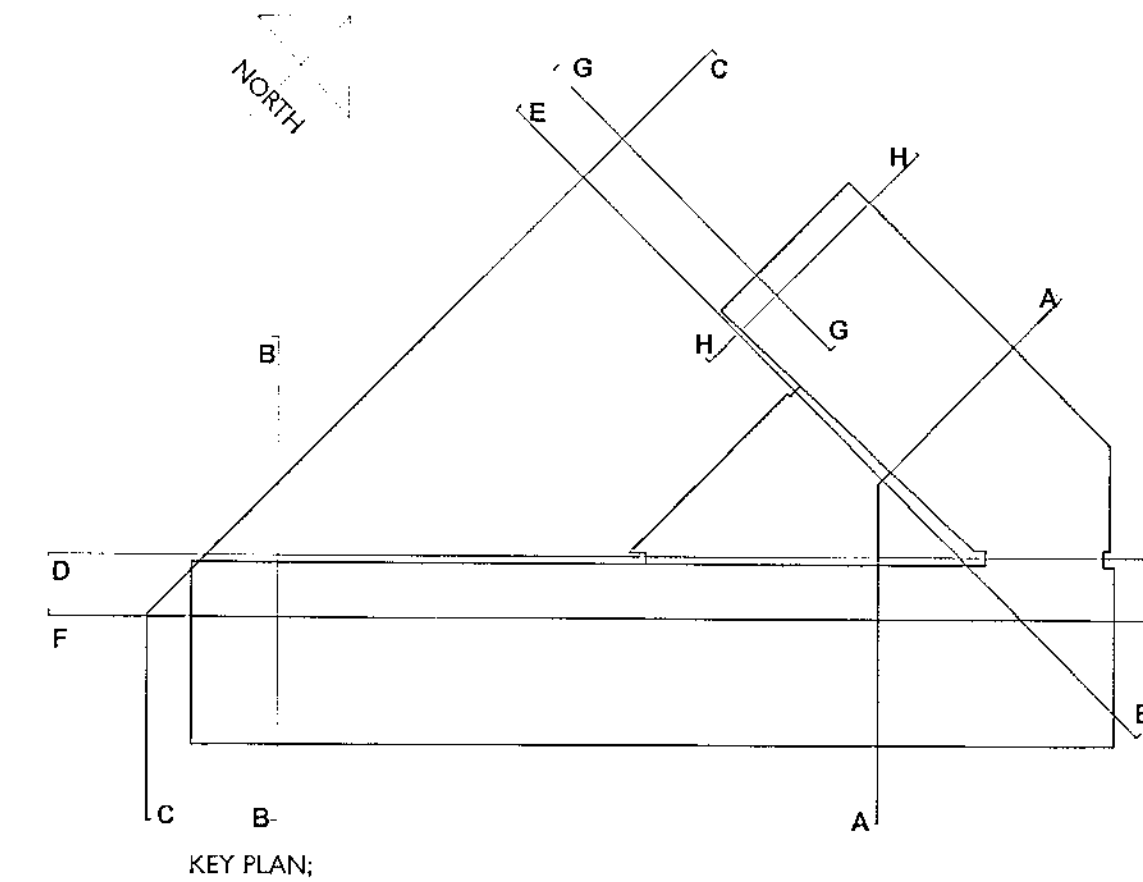


SECTION D-D
50.000 DATUM



SECTION H-H

- EXTERNAL FINISHES SPECIFICATION:**
- ① CLAY BRICK CLADDING TO SELECTED COLOUR
 - ② STONE / CERAMIC CLADDING TO SELECTED COLOUR
 - ③ ALUMINIUM CURTAIN WALLING / WINDOW SYSTEM TO SELECTED COLOUR
 - ④ METAL CLADDING TO SELECTED COLOUR
 - ⑤ ALUMINIUM CURTAIN WALLING TO ENTRANCE FOYER COMPLETE WITH STAINLESS STEEL CANOPY
 - ⑥ ROOPLIGHT TO ENTRANCE FOYER
 - ⑦ GLAZED BALUSTADING
 - ⑧ PAINTED FABRICA TO MASONRY WALL
 - ⑨ HOTEL NAME WALL MOUNTED SIGNAGE, TO CONSIST OF INDIVIDUAL LETTERS TO FORM HOTEL NAME, MADE IN PRE-FINISHED METAL BUILT UP LETTERS WITH BACK-LIT HALO EFFECT LIGHTING.



KEY PLAN;

PLANNING DRAWING: 15.03.2023

REV	DATE	DESCRIPTION
A	15.03.2023	REVISED TO ALL SUBMISSION

PROJECT: SITE D, LIFFEY VALLEY, DUBLIN 22.

TITLE: PLANNING DRAWING; SECTION D-D / NORTH-EAST ELEVATION & SECTION H-H

CLIENT: WINMAR DEVELOPMENT UNLIMITED COMPANY.

EMD Architects
107 Ludford Road, Ballinteer, Dublin 16, Ireland
p: +353 1 2927949 f: +353 1 2960811 e: info@emdarchitects.com

SCALE	DATE	DRG. No.
1:125 @ A1/1:250 @ A3	Sept. 2022	P - 21A