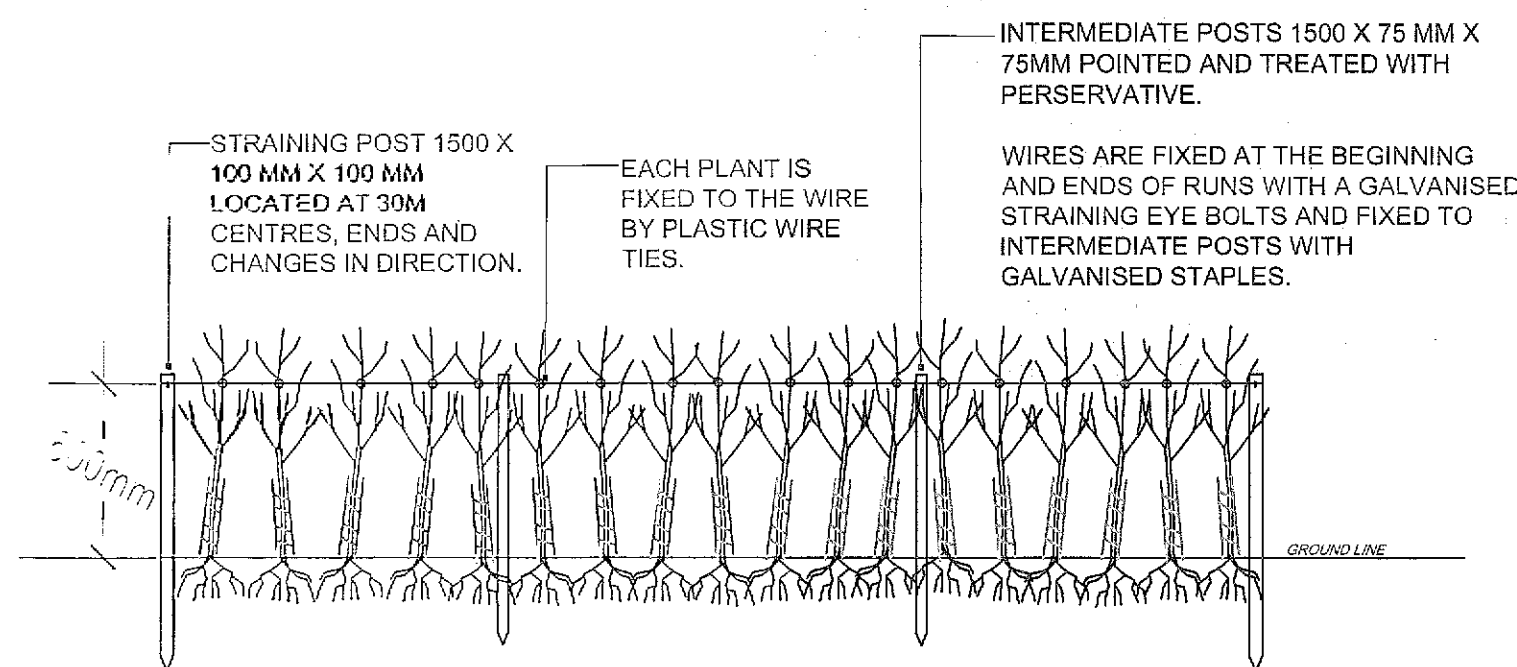


Tree Planting Detail in soft landscape

Scale 1:50



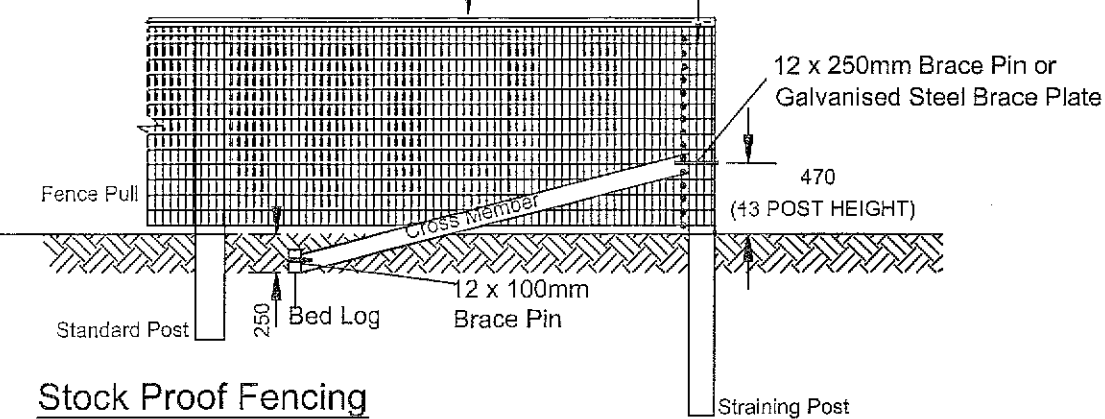
Hedgerow Planting Detail - with support fence.

Scale 1:25

All straining posts to be 2500mm (min) x 170mm (+/- 3mm) 'machined' posts with a regular cylindrical diameter.

All straining posts to be installed perpendicular to ground profile.

Wire fixed to each post with galvanised staple.



Stock Proof Fencing

Scale 1:50

Landscape Specification

Subsoil & Topsoil Operations:

THE EXISTING SUBSOIL LAYER IS TO BE CULTIVATED/DECOMPACTED TO A DEPTH OF 350MM. SUCH WORKS ARE ONLY TO BE CARRIED OUT DURING DRY WEATHER CONDITIONS.

WHERE THERE IS PRESENCE OF STIFF CLAYS AND OTHER COHESIVE SUBSOILS THEY WILL BE RIPPED BY MEANS OF A SINGLE TINE RIPPER TO A DEPTH OF 450MM. THIS OPERATION SHALL BE CARRIED OUT WHEN THE SOIL IS IN A DRY CONDITION IN ORDER TO ACHIEVE MAXIMUM HEAVE. SUBSOIL IS TO BE GRADED TO SMOOTH FLOWING CONTOURS TO ACHIEVE SPECIFIED FINISHED LEVELS OF TOPSOIL.

SUBSOIL AND TOPSOIL SHALL NOT BE HANDLED WHEN THE SOIL IS WATERLOGGED, WHEN THE MOISTURE CONTENT OF THE SOIL EXCEEDS ITS PLASTIC LIMIT AS DEFINED IN BS 1377: 1990 DURING PRECIPITATION OR UNTIL AT LEAST TWO HOURS HAVE PASSED AFTER LIGHT RAINFALL.

REMOVE ANY STONES LARGER THAN 50MM.

LANDSCAPE PLANTING AREAS IN THE WORKS SHALL BE TOPSOILED TO A MINIMUM DEPTH OF 400MM, AREAS OF GRASS SEEDING SHALL BE TOPSOILED TO A MINIMUM DEPTH OF 200MM AND 1.5 CUBIC METRES OF TOPSOIL SHALL BE MADE AVAILABLE FOR EACH TREE PIT.

IMPORTED TOPSOIL SHALL CONFORM TO BS 3882: 1994 AND SHALL BE PLACED TO ALL GENERAL PLANTING AREAS IDENTIFIED IN THE LANDSCAPE DESIGN. THE TOPSOIL GRADE SHALL BE 'GENERAL PURPOSE GRADE'.

TOPSOIL IS TO BE SPREAD IN LAYERS NOT EXCEEDING 150MM, EACH LAYER IS TO BE LIGHTLY FIRMED BEFORE THE NEXT LAYER IS SPREAD. CARE IS TO BE TAKEN NOT TO COMPACT TOPSOIL; PRESERVE A FRIABLE TEXTURE OF SEPARATE VISIBLE CRUMBS WHEREVER POSSIBLE.

WHERE FINISHED LEVELS SHALL NOT HAVE BEEN GIVEN IN THE LANDSCAPE DESIGN, THE LEVELS SHALL BE SUCH THAT THE FINISHED SURFACE SHALL HAVE A SMOOTH EVEN FALL BETWEEN THE FINISHED LEVELS AND THE BOUNDARIES OF THE AREAS. ANY AREA UNDULY COMPACTED DURING THE WORK OR GRADING SHALL BE LOOSENED BY FORKING. THE USE OF HEAVY ROLLERS TO ROLL OUT MOUNDS SHALL NOT BE PERMITTED.

PLANT NOTES:

ALL TREES, SHRUBS AND HEDGEROW PLANTS SHALL COMPLY WITH BS 3936, SPECIFICATION FOR NURSERY STOCK. ALL PRE-PLANTING SITE PREPARATION, PLANTING AND POST PLANTING MAINTENANCE WORKS SHALL BE CARRIED OUT IN ACCORDANCE WITH THE REQUIREMENTS OF BS 4428 (1989) CODE OF PRACTICE FOR GENERAL LANDSCAPE OPERATIONS (EXCLUDING HARD SURFACES).

ALL NEW TREE PLANTING SHALL BE POSITIONED IN ACCORDANCE WITH THE REQUIREMENTS OF TABLE 3 OF BS 5837: 2005 TREE IN RELATION TO CONSTRUCTION: RECOMMENDATIONS, WHICH SPECIFIES MINIMUM DISTANCES BETWEEN NEW PLANTING AND STRUCTURES.

PLANTING NOTES:

ALL PLANTING AREAS SHALL BE WEED FREE. ALL PLANTING WORKS SHALL BE CARRIED OUT DURING THE PERIOD BETWEEN NOVEMBER AND APRIL.

TREE PLANTING

SELECTED TREES SHALL BE OF THE SIZES INDICATED IN THE SCHEDULE OF THE LANDSCAPE PLAN AND ARE TO BE PLANTED AT THE LOCATIONS SHOWN. EXCAVATE TREE PITS AS SHOWN ON THE PLANTING DETAILS ABOVE.

TWO TREE STAKES SHALL BE DRIVEN VERTICALLY INTO FIRM GROUND FOR A MINIMUM DEPTH OF 500MM BELOW THE BASE OF THE TREE PIT, PRIOR TO PLANTING. IT SHALL BE PLACED TO ONE, BUT THE SAME SIDE OF EACH TREE. THE DIAMETER OF THE STAKE SHALL BE 150MM AND HEIGHT ABOVE FINISHED GROUND LEVELS SHALL BE 600MM.

PLANTING SHALL BE CARRIED OUT BY POSITIONING THE TREE IN THE CENTRE OF THE PIT CLOSELY AGAINST THE TREE STAKE AND SPREADING THE TREE ROOTS TO THEIR FULLEST EXTENT.

IMMEDIATELY FOLLOWING PLANTING, TREES WITH STAKES SHALL BE SECURED WITH CROSSBARS. TREE TIES SHALL BE FIXED SO THAT THE MOVEMENT OF THE TREE SHALL NOT CAUSE DAMAGE OR ABRASION TO THE BARK.

MULCH THE BASE OF THE TREE TO A DEPTH OF 75mm TO 500mm RADIUS AROUND EACH TREE.

HEDGEROW PLANTING

HEDGEROW STOCK SHALL BE OF THE SIZES INDICATED ON THE PLANTING SCHEDULE ON THE LANDSCAPE PLAN.

PLANTS SHALL NOT BE GENERALLY BE PLANTED CLOSER TO A KERB OR TO THE EDGE OF A PLANTING AREAS THAN A DISTANCE EQUAL TO HALF THE SPACING INDICATED. EXCAVATE PLANTING PITS TO A MINIMUM OF 300mm DEPTH OR TO A SUFFICIENT SIZE SO AS TO EASILY ACCOMMODATE THE ROOTBALL OF THE SHRUB. CENTRE THE SHRUB IN THE PIT AND BACKFILL WITH EXCAVATED MATERIAL, INCORPORATING 40g/sq.m OF SLOW RELEASE FERTILISER. SOIL SHALL BE LIGHTLY FIRMED TO ENSURE GOOD CONTACT BETWEEN PLANT ROOTS AND SOIL SUBSTRATE.

MULCH ALL ORNAMENTAL SHRUB AREAS WITH A DEPTH OF 75mm FINE GRADE BARK MULCH.

No.	Revision	Date	By	Project Title
				PROPOSED DEVELOPMENT, GLENSIDE HOUSE, GLASSMUCKY, BHERNABREENA, DUBLIN 24.
				02
LANDSCAPE DESIGN & CONSULTANCY BALLINAFAGH PROSPEROUS NAAS CO. KILDARE M: 086 851 9289 E: info@landmarkdesigns.ie				LANDSCAPE DETAILS
Design: GWEN TIERNEY Landscape Architects.	Scale: 1:250	Date: 05/04/2023	Job No: P726	Rev: 01/01 PETER LAWLOR
Drawn: GT				