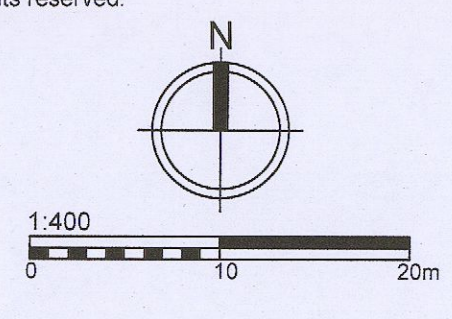


General Notes
 Do not scale off drawing - refer to the tree data schedule for accurate crown spread measurements.
 Depictions of tree canopies are based on measurements taken to four cardinal compass points.
 No liability of any kind is accepted for any omissions or inaccuracies in respect of this plan.
 The original of this drawing was produced in colour; a monochrome copy should not be relied upon.
 All rights reserved.



Key

- Trees
Showing Canopy extents, category colour and tag number (with category).
- Category A
Trees of high quality with an estimated remaining life expectancy of at least 40 years.
- Category B
Trees of moderate quality with an estimated remaining life expectancy of at least 20 years.
- Category C
Trees of low quality with an estimated remaining life expectancy of at least 10 years, or young trees with a stem diameter below 150 mm.
- Category U
Trees in such a condition that they can not realistically be retained as living trees in the context of the current land use for longer than 10 years.
- Hedges
Shown as dashed centreboundary line. Colour represents category (see above).
- BS 5837:2012 Root Protection Area
- Elder Thorn Scrub

Tree Constraints Plan

Client: Ramboll
 Site/Project: Profile Park NE

Scale/Sheet: 1:400 - A0
 Date: 29/10/2022

Drawing No: TS_TCP_31_B_22
 Rev: 1
 Drawn By: CS
 Check By: CO

Treespace
 Trees • Woodland • Urban Forestry
 Email: info@treespace.ie Tel: 087 6759427