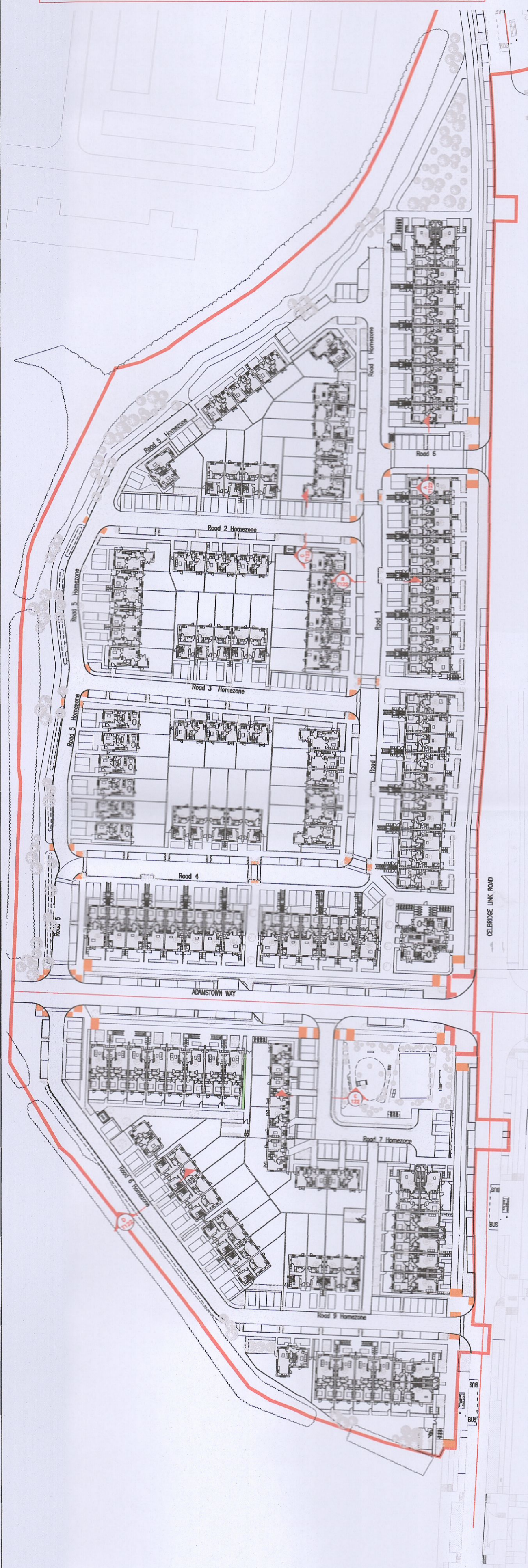


NOTE: REFER TO DRAWING 22-023-C120 FOR TYPICAL ROAD CONSTRUCTION DETAILS.

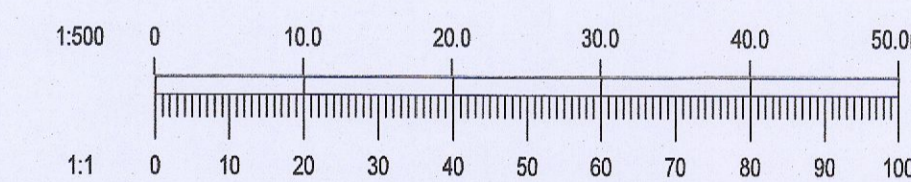
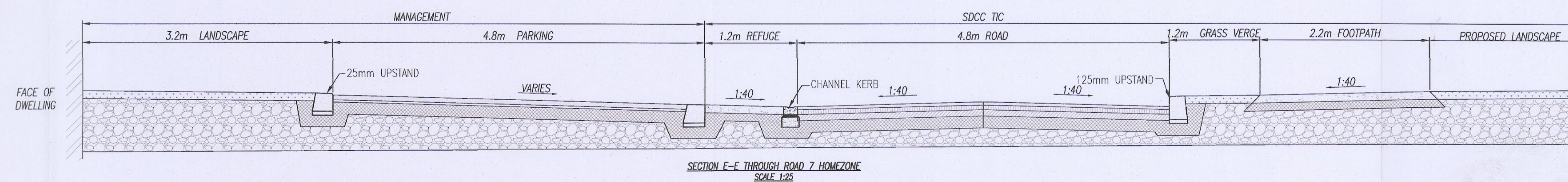
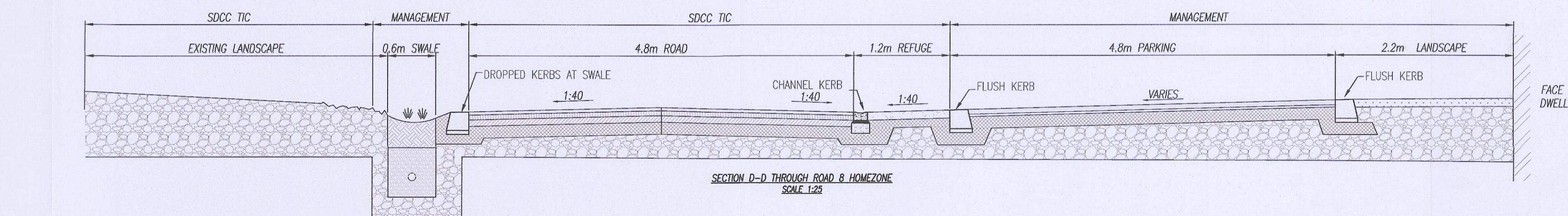
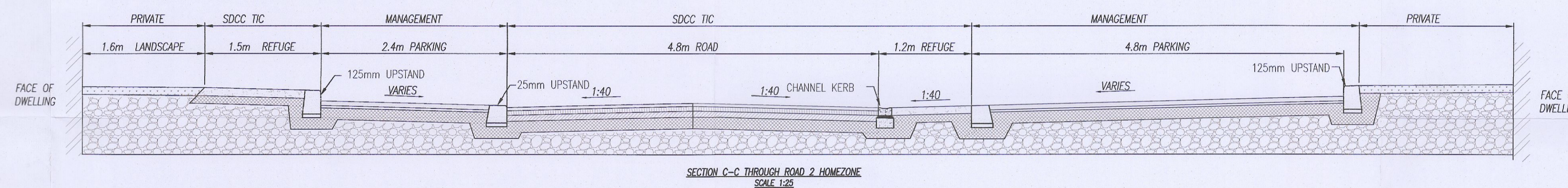
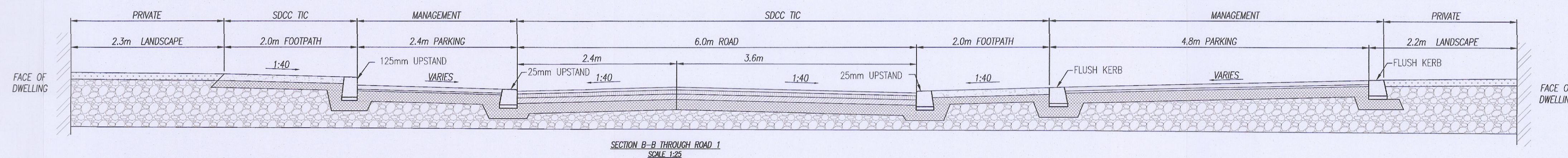
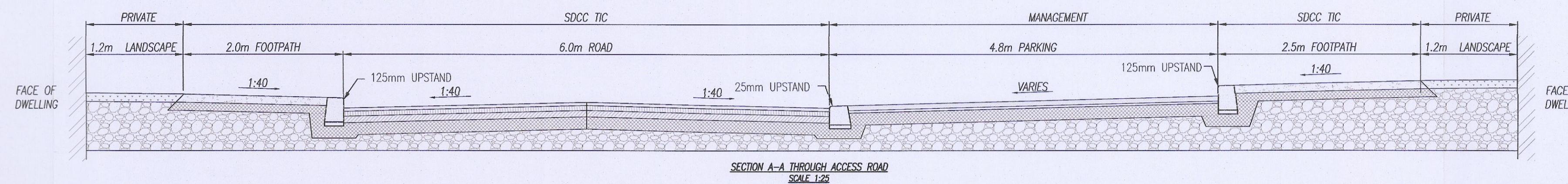
NOTES:

- DO NOT SCALE. USE FIGURED DIMENSIONS ONLY.
- THIS DRAWING IS TO BE READ IN CONJUNCTION WITH ALL OTHER RELEVANT ARCHITECTURAL AND ENGINEERING DRAWINGS.



PROPOSED GENERAL ARRANGEMENT

SCALE 1:500



A	16/03/23	ISSUED FOR RFI	MS	IW
-	24/11/22	ISSUE FOR TENDER	MS	IW
REV.	DATE	AMENDMENT	DRN	APPD

STATUS **FOR TENDER**

Waterman Moylan
Engineering Consultants
BLOCK 5, EASTPOINT BUSINESS PARK, ALFIE BYRNE ROAD,
DUBLIN D03 K7W7 IRELAND.
Tel: (01) 664 8900 Fax: (01) 661 3618
Email: info@waterman-moylan.ie www.waterman-moylan.ie

CLIENT QUINTAIN DEVELOPMENTS IRELAND LTD
ARCHITECT BKD ARCHITECTS

PROJECT
ADERRIG PHASE 3

TITLE
TYPICAL ROAD CROSS SECTIONS

DRAWN MS	DESIGNED JB	APPROVED IW	DATE NOV. 22
SCALE AS SHOWN@A1	JOB NO. 22-023	DRG. NO. T122	REVISION A

© 2016. This drawing is copyright. No part of this document may be reproduced or transmitted in any form or stored in any retrieval system of any nature without the written permission of the consulting engineer or copyright holder except as agreed for use on the project for which the document was originally issued.