

LEGEND

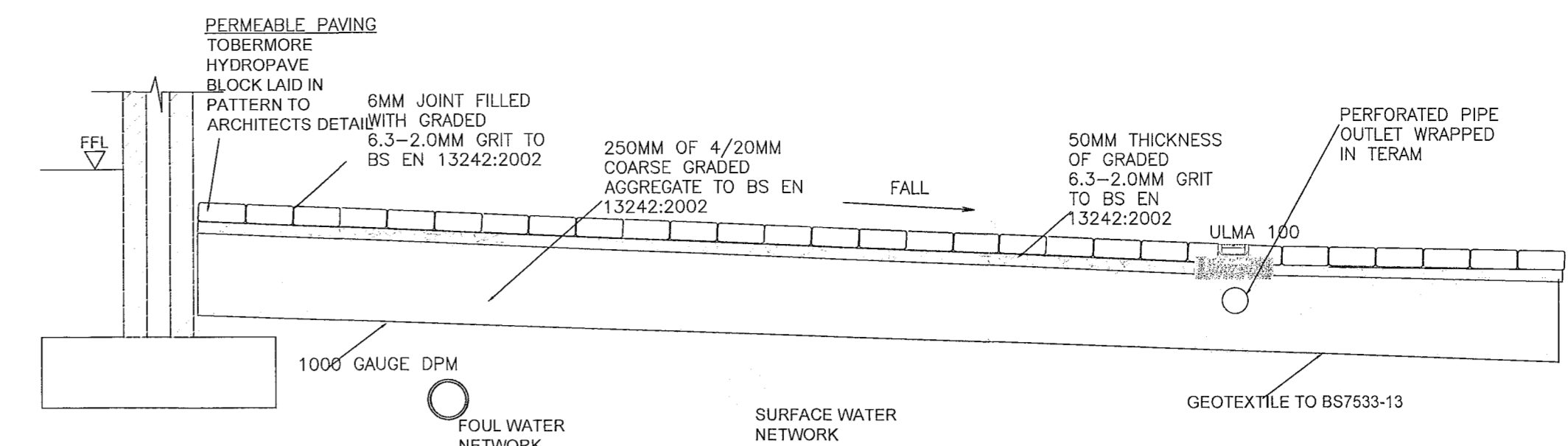
- NEW 100MM Ø uPVC SW SEWER @ 1/150 FALL
- NEW 100MM Ø UPVC FOUL SEWER @ 1/50 FALL
- INSPECTION CHAMBER PER STD-WW-13
- NEW WAVIN SHALLOW AJ INSPECTION CHAMBER

NOTES

- 1.0 DRAWINGS ARE NOT TO BE SCALED. USE ONLY STATED DIMENSIONS. ENGINEER TO BE NOTIFIED OF ANY DISCREPANCIES.
- 2.0 ALL LEVELS REFER TO OS DATUM MALIN HEAD.
- 3.0 THIS DRAWING SHALL BE READ IN CONJUNCTION WITH THE SPECIFICATION AND ALL OTHER CONTRACT DOCUMENTATION.
- 4.0 ALL WORK SHALL COMPLY WITH THE REQUIREMENTS OF THE DEPARTMENT OF ENVIRONMENT 'RECOMMENDATIONS FOR SITE DEVELOPMENT WORKS FOR HOUSING AREAS' AND THE SPECIFIC REQUIREMENTS OF THE LOCAL AUTHORITY.
- 5.0 CONCRETE BASES AND SURROUNDS SHALL BE GRADE C30 SURROUNDS SHALL BE A MINIMUM 150MM THICK AND CONTAIN ONE LAYER OF A142 MESH.
- 6.0 BLINDING CONCRETE SHALL BE GRADE C15. BLINDING SHALL BE A MINIMUM THICKNESS OF 100MM.
- 7.0 SAND CEMENT RENDER SHALL BE A MINIMUM 25MM THICK WITH STEEL TROWEL FINISH.
- 8.0 CHAMBERS COVERS & FRAMES SHALL COMPLY WITH THE REQUIREMENTS OF IS 261 AND SHALL BE MINIMUM CLASS D400. CHAMBER COVERS SHALL BE BADGES WITH THE APPROPRIATE LETTERING TO INDICATE THE TYPE OF VALVE.
- 9.0 MARKER POSTS AND INDICATOR PLATES SHALL COMPLY WITH THE REQUIREMENTS OF BS 3251.
- 10.0 SEMI ENGINEERING BRICK SHALL BE GRADE 4NMM2.
- 11.0 ALL CONNECTIONS TO THE LOCAL MAINS SHALL BE COMPLETED BY THE LOCAL AUTHORITY OR UNDER THE SUPERVISION OF THE LOCAL AUTHORITY.

DRAINAGE NOTES:

1. ALL DRAINAGE WORK TO BE CARRIED OUT IN ACCORDANCE WITH IS EN 752:2008 GREATER DUBLIN REGION CODE OF PRACTICE FOR DRAINAGE WORKS AND IW CODES OF PRACTICE & STANDARD DETAILS.
2. ALL MANHOLE LEVELS, GRADIENTS & LOCATIONS TBC ON SITE.
3. FOR ALL PIPEWORK PENETRATIONS AND WATERPROOFING DETAILS, REFER TO SPECIALIST CONSULTANT'S DRAWINGS, DETAILS & SPECIFICATIONS.
4. ALL DRAINAGE PIPES WITH COVER TO CROWN LESS THAN 500mm TO BE ENCASED IN CONCRETE AS PER DETAIL.
5. ALL DOWNPIPES POSITIONS AS PER ARCHITECT DETAILS TO TIE INTO NEW SURFACE WATER MANHOLES.



Package includes the following GreenBlue Urban products per typical 5 module system:

- GBUHP5M1A HydroPlanter Starter module - 1000mm x 1200mm x 80mm - 1 No.
- GBUHP5M1A HydroPlanter Continuation module - 1000mm x 1200mm x 80mm - 3 No.
- GBUHP5M1A HydroPlanter End module - 1430mm x 1200mm x 80mm - 1 No.

ArborSol Hydro to fill HydroPlanter - allow 3.1 cu. m per planter. Additional allowance needs to be made for settlement.

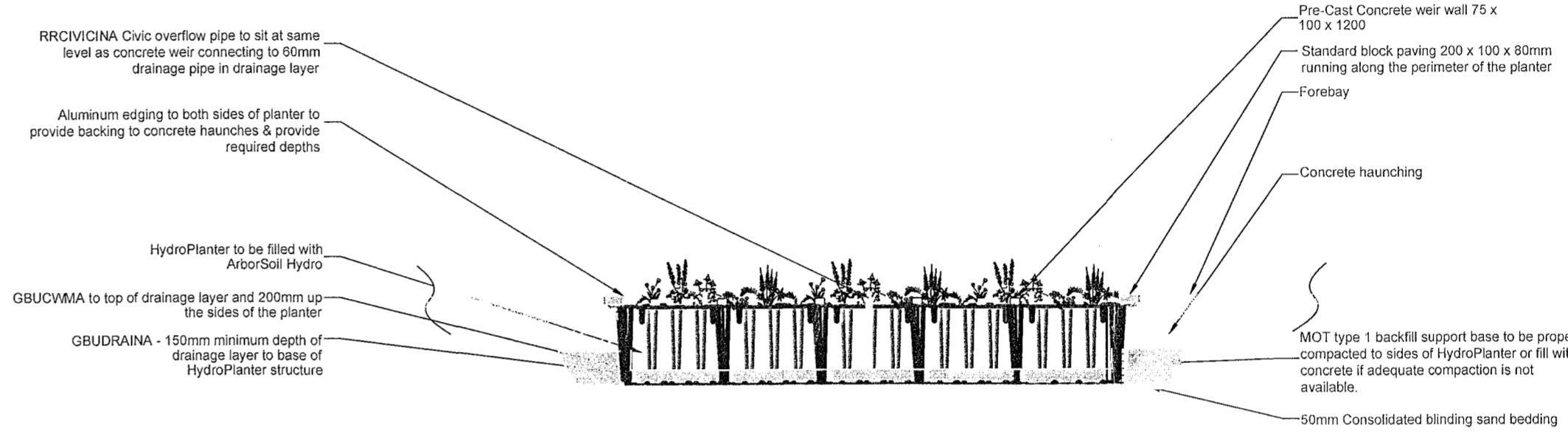
RootStart Mycorrhiza - apply to planter at time of planting in accordance with manufacturer's recommendations - allow 200g per planter.

RRCVICINA RoofRain Civic inlet

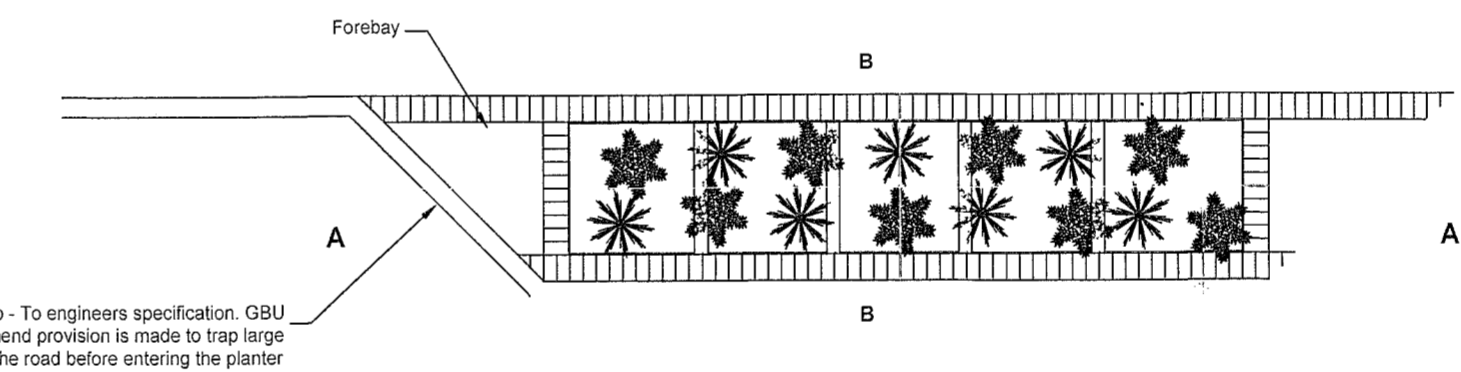
GLPIPE60A - 60mm perforated pipework

GBUDRAIN3A - Drainage layer as per installation instructions

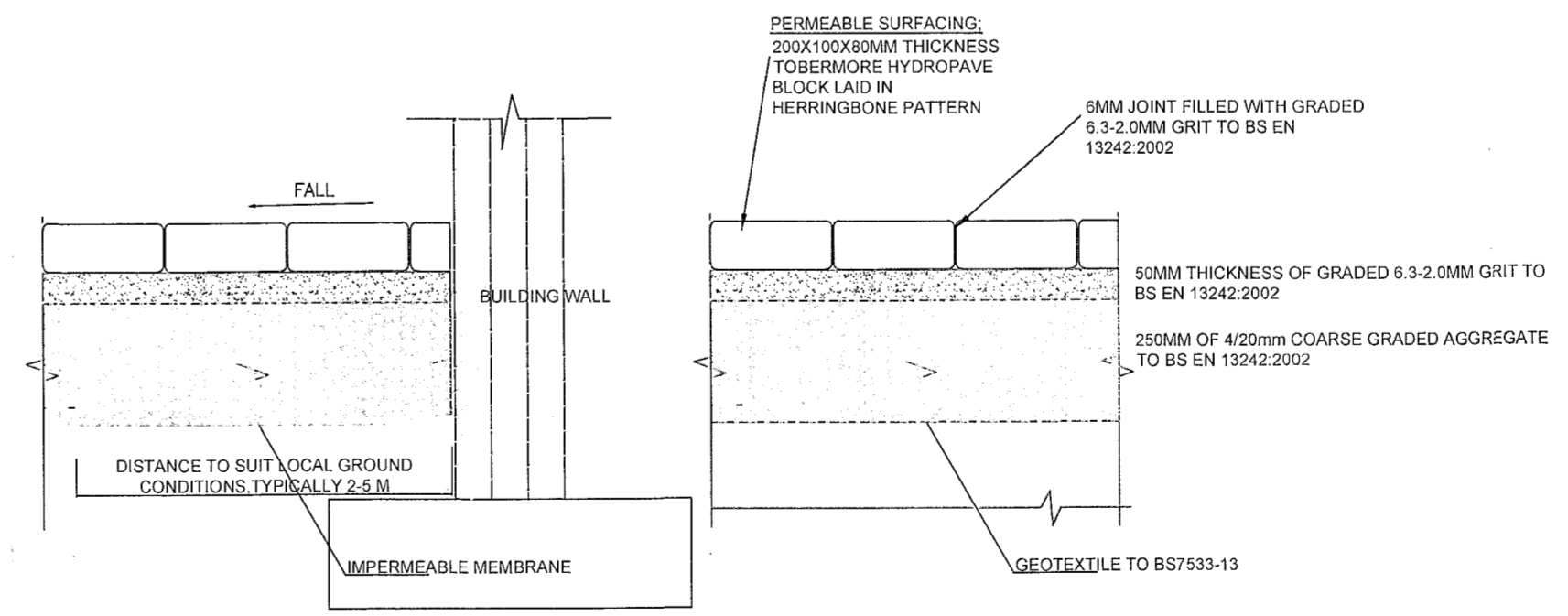
Note: GreenBlue Urban recommend trees are not installed in this planter system as the soil volumes are not sufficient enough to support long term tree growth. Shrubs and plants are recommended only.



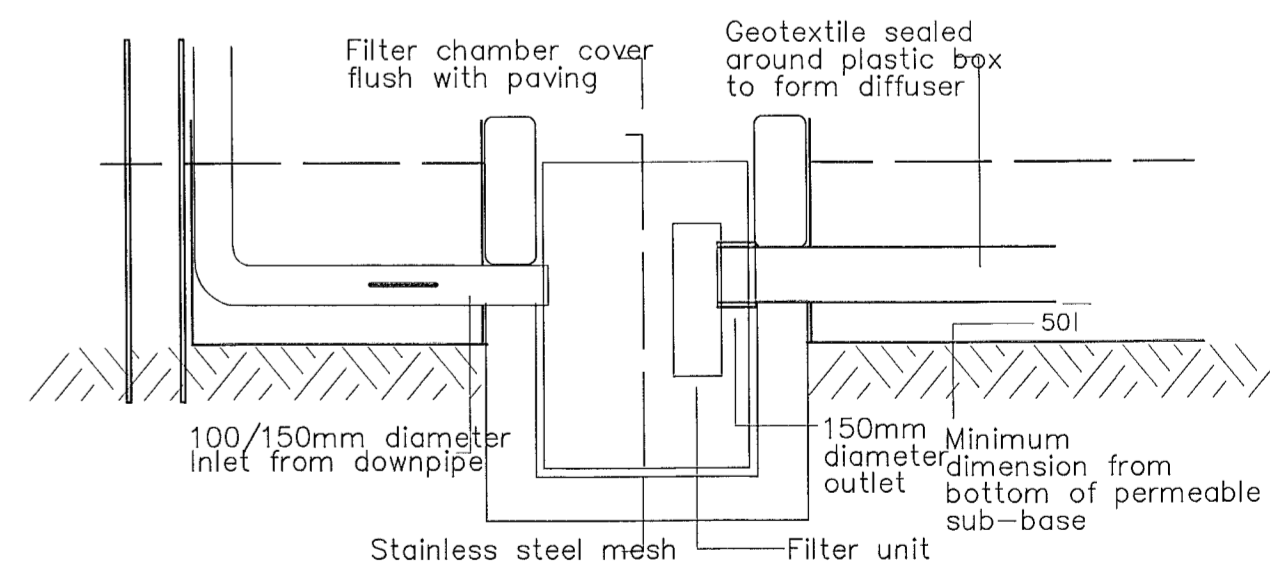
SECTION A-A



SECTION B-B CLOSE UP SECTION DETAIL NTS



TYPICAL HYDROPAVE DETAIL NTS



PROPOSED DRAINAGE PLAN
Scale 1:50

Rev	Revision description	Date	Drawn	Design	Check	Job Title:	Client:	Scale:	4 Bridgecourt Office Park Walkinstown Avenue Dublin 12 Tel/ Fax: 01-426 4883 / 01-429 7971 email: mail@once.co www.once.co
A	Issued for PLANNING	JAN 2023	AA	AA	TON	6 Woodstown Way Knocklyon Dublin 16 D16 E638	Mingze (Amy) Wang	A1 @ 1:100	
						Drawing Title: DRAINAGE LAYOUT&DETAILS	Drawing number: 5942/C101	Date: JAN'23	