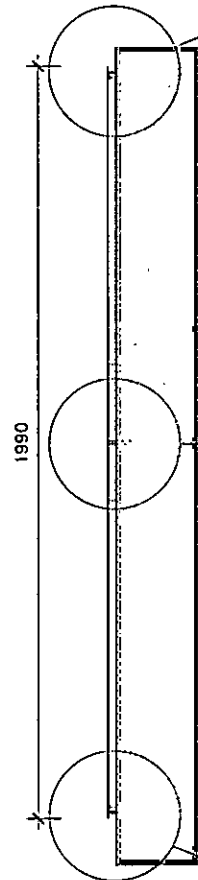
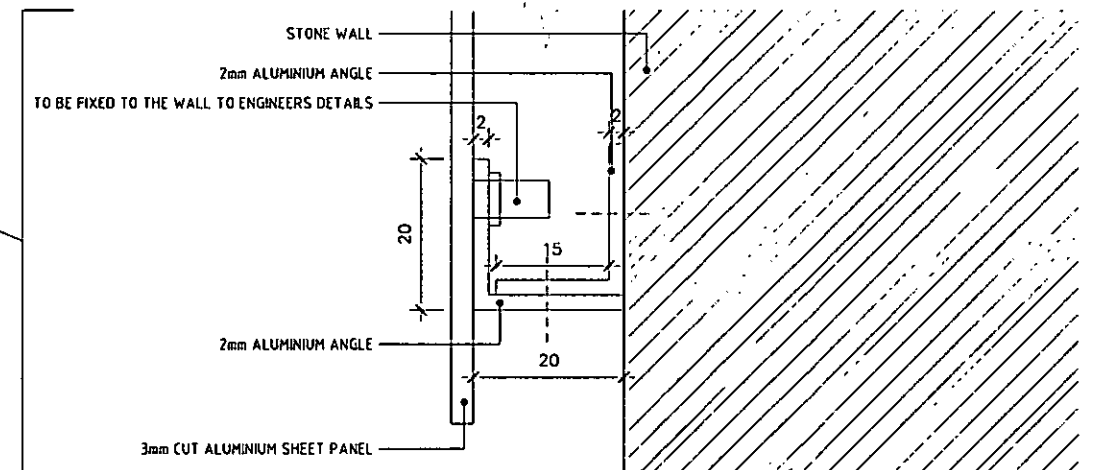
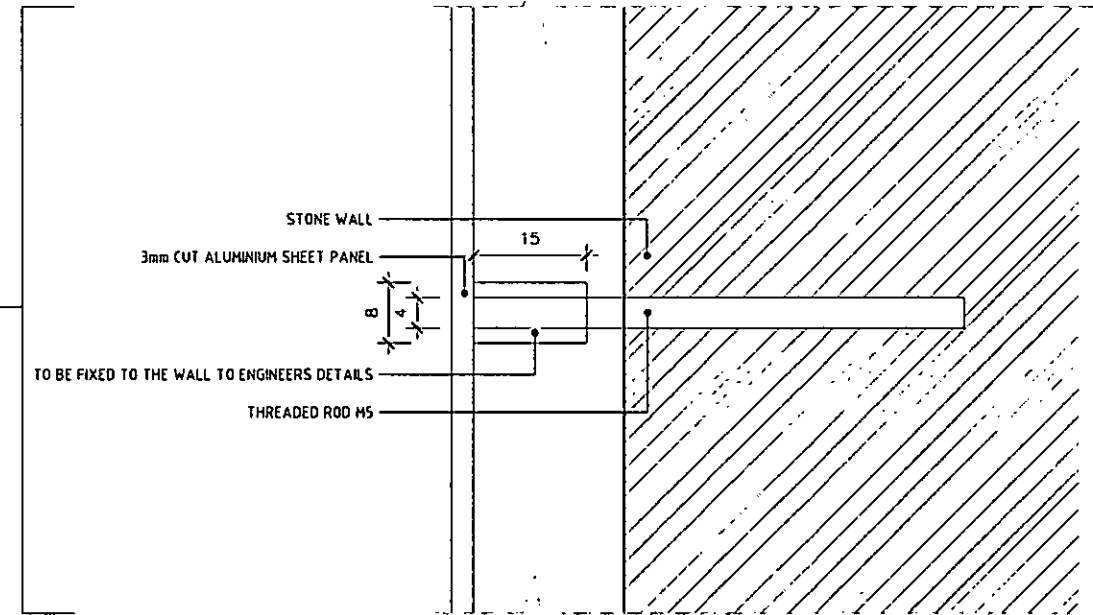
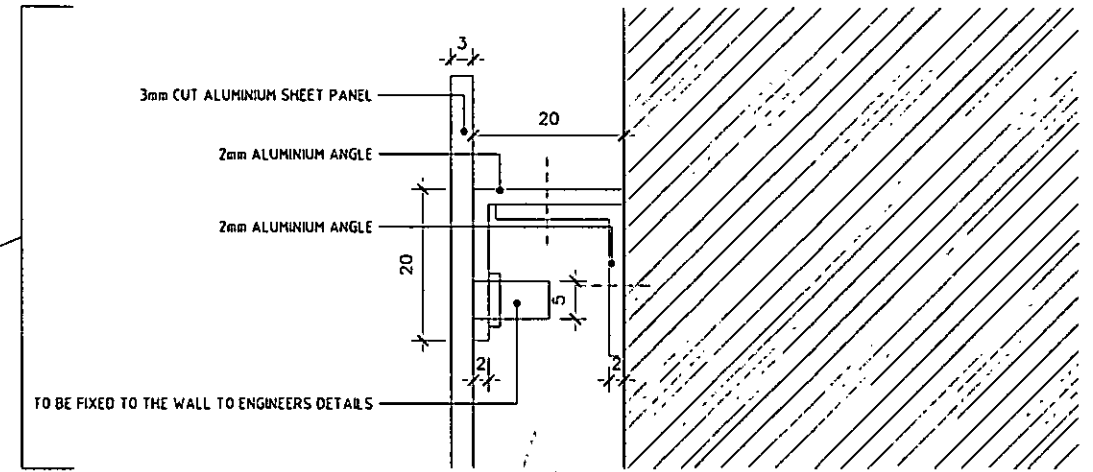


01 Proposed Lidl Sign 01 Front Elevation  
PA-402 1:50



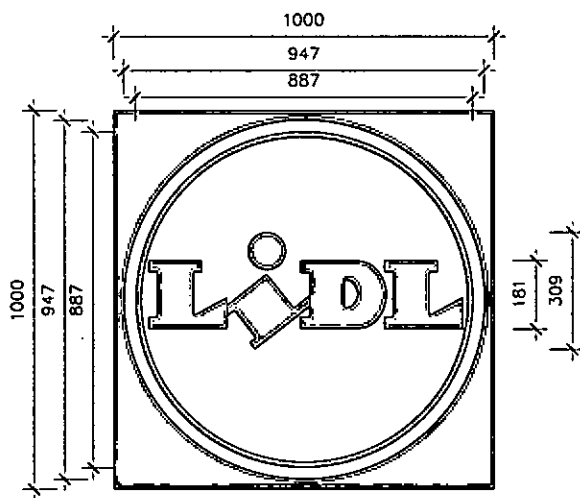
02 Proposed Lidl Sign 01 Side Elevation  
PA-402 1:50



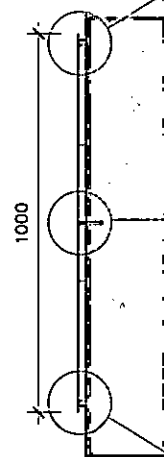
03 Proposed Lidl Sign 01 Details  
PA-402 1:1

ISSUED FOR INFORMATION ONLY, NOT FOR CONSTRUCTION

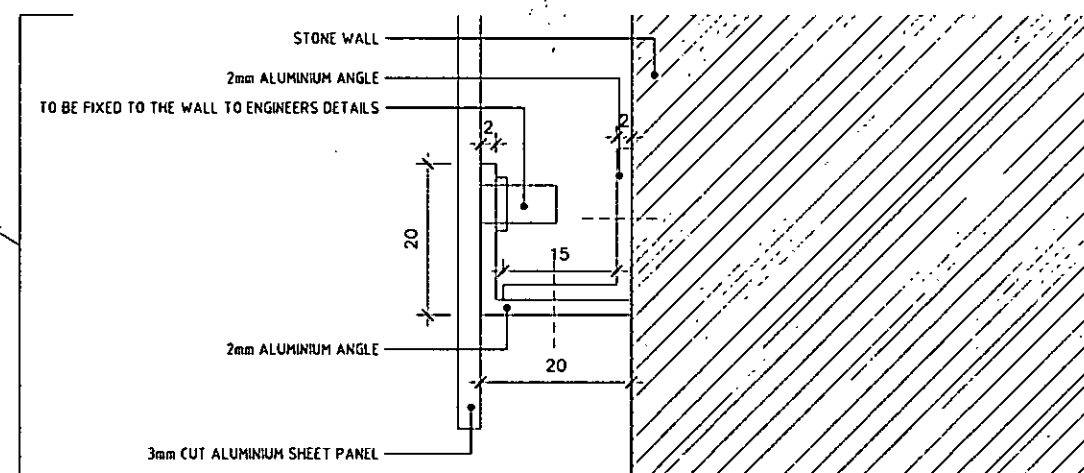
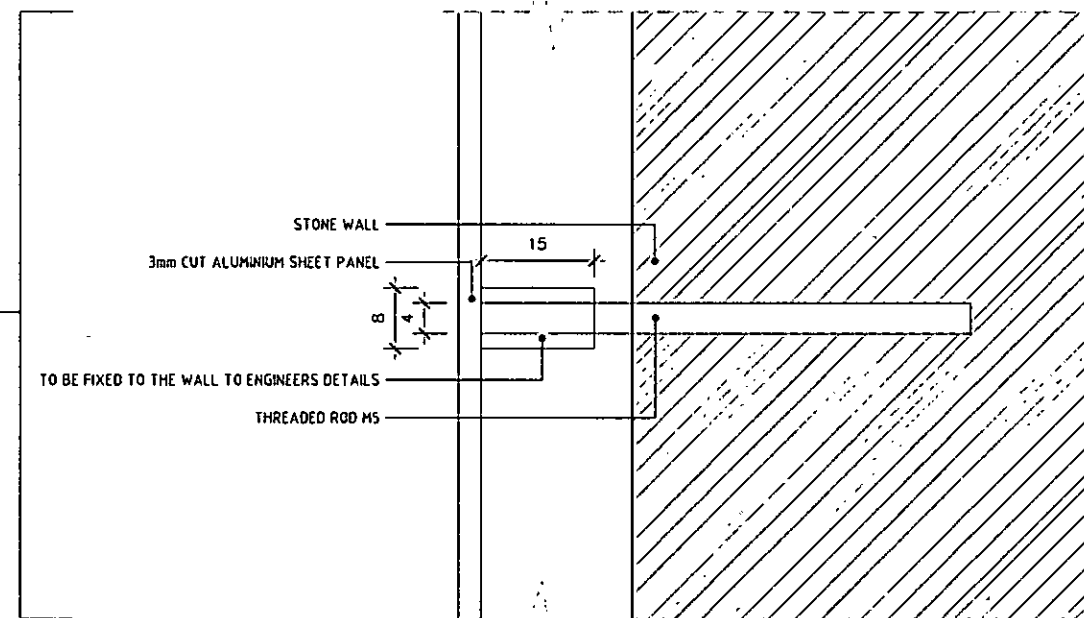
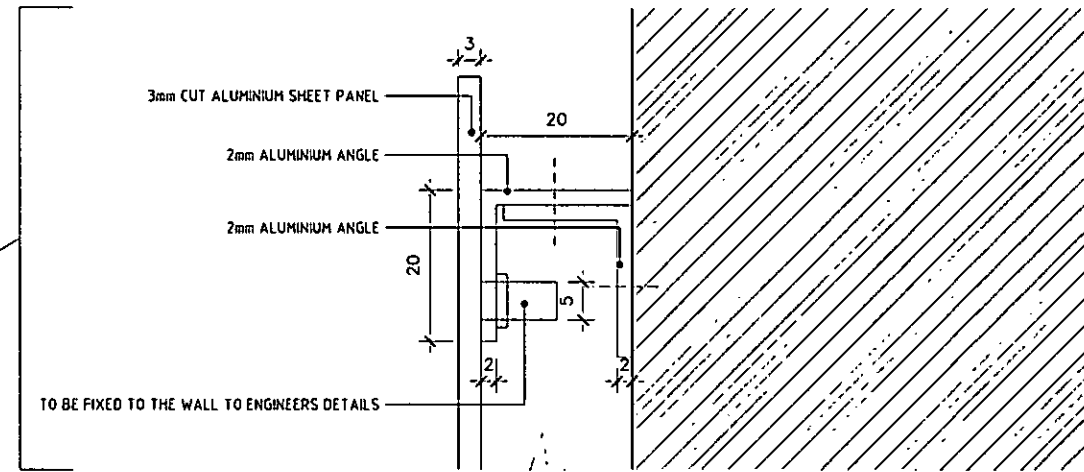
<b>NOTES</b> Do not scale from this drawing Any discrepancies found on site to be reported to Darmody Architects immediately. Any discrepancies found on drawings to be reported to Darmody Architects immediately. Refer to engineers drawings for structural details. All dimensions sized to blockwork.	<table border="1"> <thead> <tr> <th>Rev.</th> <th>Description</th> <th>Date</th> <th>Initials</th> </tr> </thead> <tbody> <tr> <td> </td> <td> </td> <td> </td> <td> </td> </tr> </tbody> </table>		Rev.	Description	Date	Initials					<table border="1"> <thead> <tr> <th colspan="2">DRAWING KEY</th> <th>SCALE BAR</th> <th colspan="2">DRAWING KEY</th> <th>NORTH POINT</th> </tr> </thead> <tbody> <tr> <td colspan="2"> </td> <td>            SCALE 1:20         </td> <td colspan="2"> </td> <td> </td> </tr> </tbody> </table>		DRAWING KEY		SCALE BAR	DRAWING KEY		NORTH POINT			SCALE 1:20				<p>creative innovative flexible</p> <p><b>darmody</b> architecture</p> <p>91 Townsend Street, Dublin 2 353 1 672 9907 info@darmodyarchitecture.com darmodyarchitecture.com</p>	Project Proposed Lidl Store at Newcastle, Co. Dublin
	Rev.	Description	Date	Initials																						
DRAWING KEY		SCALE BAR	DRAWING KEY		NORTH POINT																					
		SCALE 1:20																								
<table border="1"> <thead> <tr> <th>Rev No</th> <th>Scale</th> <th>Date</th> <th>Des By</th> <th>Chkd By</th> <th>Issue</th> </tr> </thead> <tbody> <tr> <td> </td> <td> </td> <td> </td> <td> </td> <td> </td> <td> </td> </tr> </tbody> </table>		Rev No	Scale	Date	Des By	Chkd By	Issue							Title Proposed Wall Mounted Lidl Sign 01 Client Lidl Ireland GmbH Dwg No PA-402 Job No 22013												
Rev No	Scale	Date	Des By	Chkd By	Issue																					



01 Proposed Lidl Sign 02 Front Elevation  
PA-403 1:50



02 Proposed Lidl Sign 02 Side Elevation  
PA-403 1:50



03 Proposed Lidl Sign 02 Details  
PA-403 1:1

ISSUED FOR INFORMATION ONLY, NOT FOR CONSTRUCTION

<b>NOTES</b> Do not scale from this drawing Any discrepancies found on site to be reported to Dermody Architects immediately. Any discrepancies found on drawings to be reported to Dermody Architects immediately. Refer to engineers drawings for structural details. All dimensions sized to blockwork.	<table border="1"> <thead> <tr> <th>Rev.</th> <th>Description</th> <th>Date</th> <th>Initials</th> </tr> </thead> <tbody> <tr> <td> </td> <td> </td> <td> </td> <td> </td> </tr> </tbody> </table>		Rev.	Description	Date	Initials					<table border="1"> <thead> <tr> <th colspan="2">DRAWING KEY</th> <th>SCALE BAR</th> <th colspan="2">DRAWING KEY</th> <th>NORTH POINT</th> </tr> </thead> <tbody> <tr> <td colspan="2"> </td> <td>            SCALE 1:20         </td> <td colspan="2"> </td> <td> </td> </tr> </tbody> </table>		DRAWING KEY		SCALE BAR	DRAWING KEY		NORTH POINT			SCALE 1:20				<p>creative innovative flexible</p> <p><b>dermody</b> architecture</p> <p>91 Townsend Street, Dublin 2 353 1 672 9907 info@dermodyarchitecture.com dermodyarchitecture.com</p>	<table border="1"> <tr> <td colspan="2">Project: Proposed Lidl Store at Newcastle, Co. Dublin</td> </tr> <tr> <td colspan="2">Title: Proposed Wall Mounted Lidl Sign 02</td> </tr> <tr> <td colspan="2">Client: Lidl Ireland GmbH</td> </tr> <tr> <td>Dwg No. PA-403</td> <td>Job No. 22013</td> </tr> </table>		Project: Proposed Lidl Store at Newcastle, Co. Dublin		Title: Proposed Wall Mounted Lidl Sign 02		Client: Lidl Ireland GmbH		Dwg No. PA-403	Job No. 22013
	Rev.	Description	Date	Initials																															
DRAWING KEY		SCALE BAR	DRAWING KEY		NORTH POINT																														
		SCALE 1:20																																	
Project: Proposed Lidl Store at Newcastle, Co. Dublin																																			
Title: Proposed Wall Mounted Lidl Sign 02																																			
Client: Lidl Ireland GmbH																																			
Dwg No. PA-403	Job No. 22013																																		
<table border="1"> <thead> <tr> <th>Rev. No</th> <th>Scale</th> <th>Date</th> <th>Drn. By</th> <th>Chkd. By</th> <th>Issue</th> </tr> </thead> <tbody> <tr> <td>1.20/11</td> <td>A3</td> <td>07/02/2023</td> <td>Kevin Barry</td> <td>Alan Ryan</td> <td>CFI</td> </tr> </tbody> </table>		Rev. No	Scale	Date	Drn. By	Chkd. By	Issue	1.20/11	A3	07/02/2023	Kevin Barry	Alan Ryan	CFI																						
Rev. No	Scale	Date	Drn. By	Chkd. By	Issue																														
1.20/11	A3	07/02/2023	Kevin Barry	Alan Ryan	CFI																														