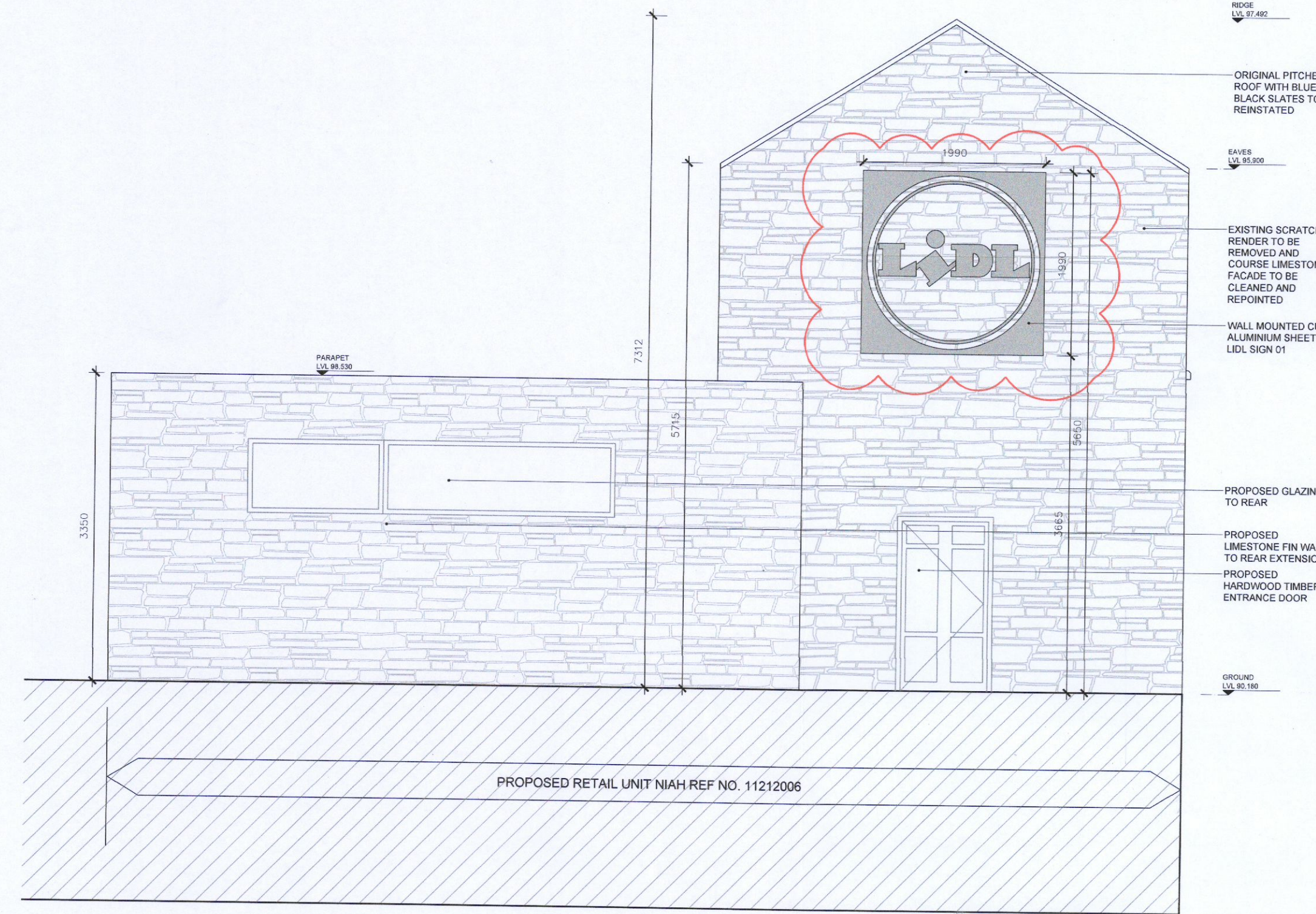
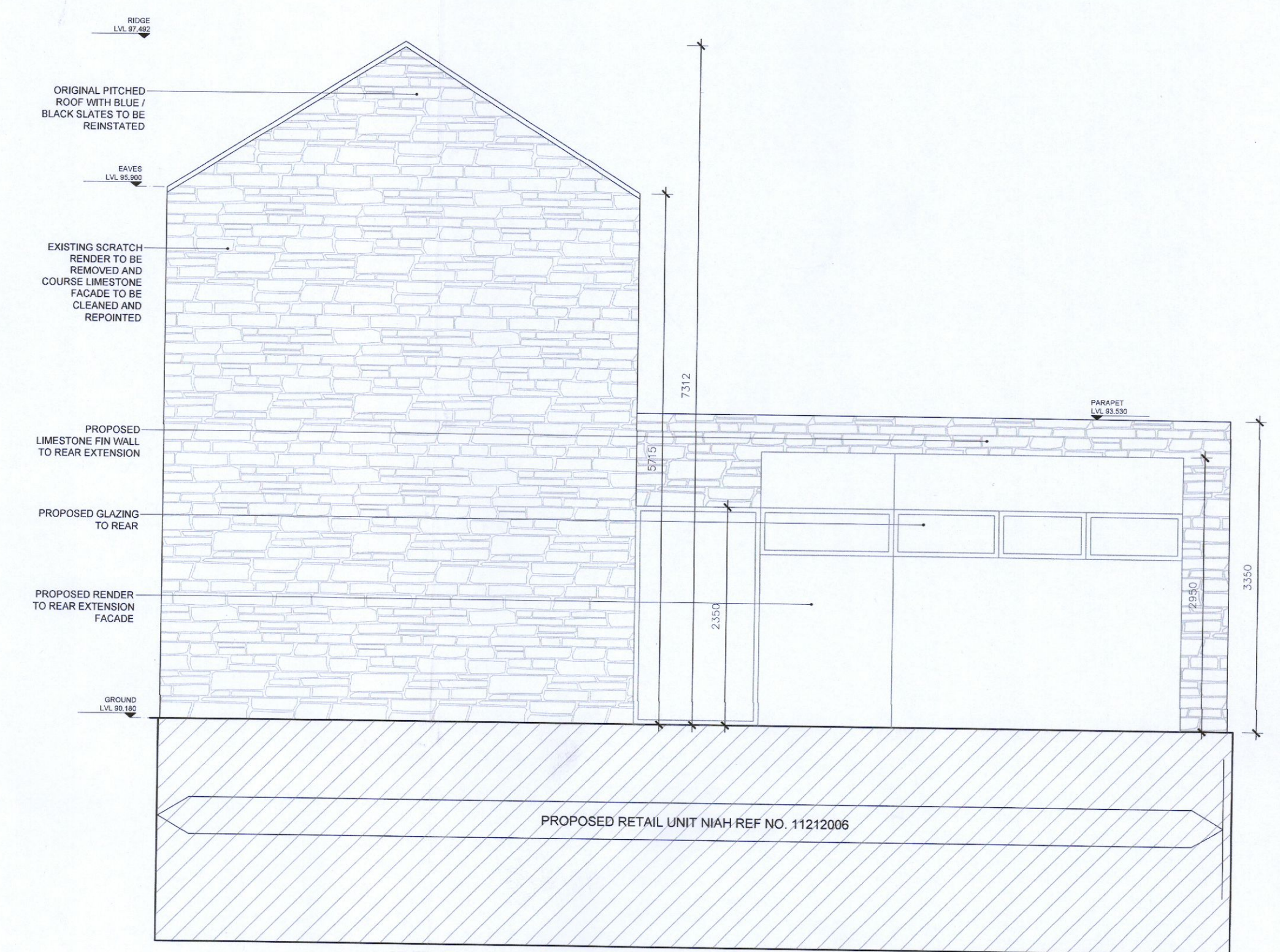




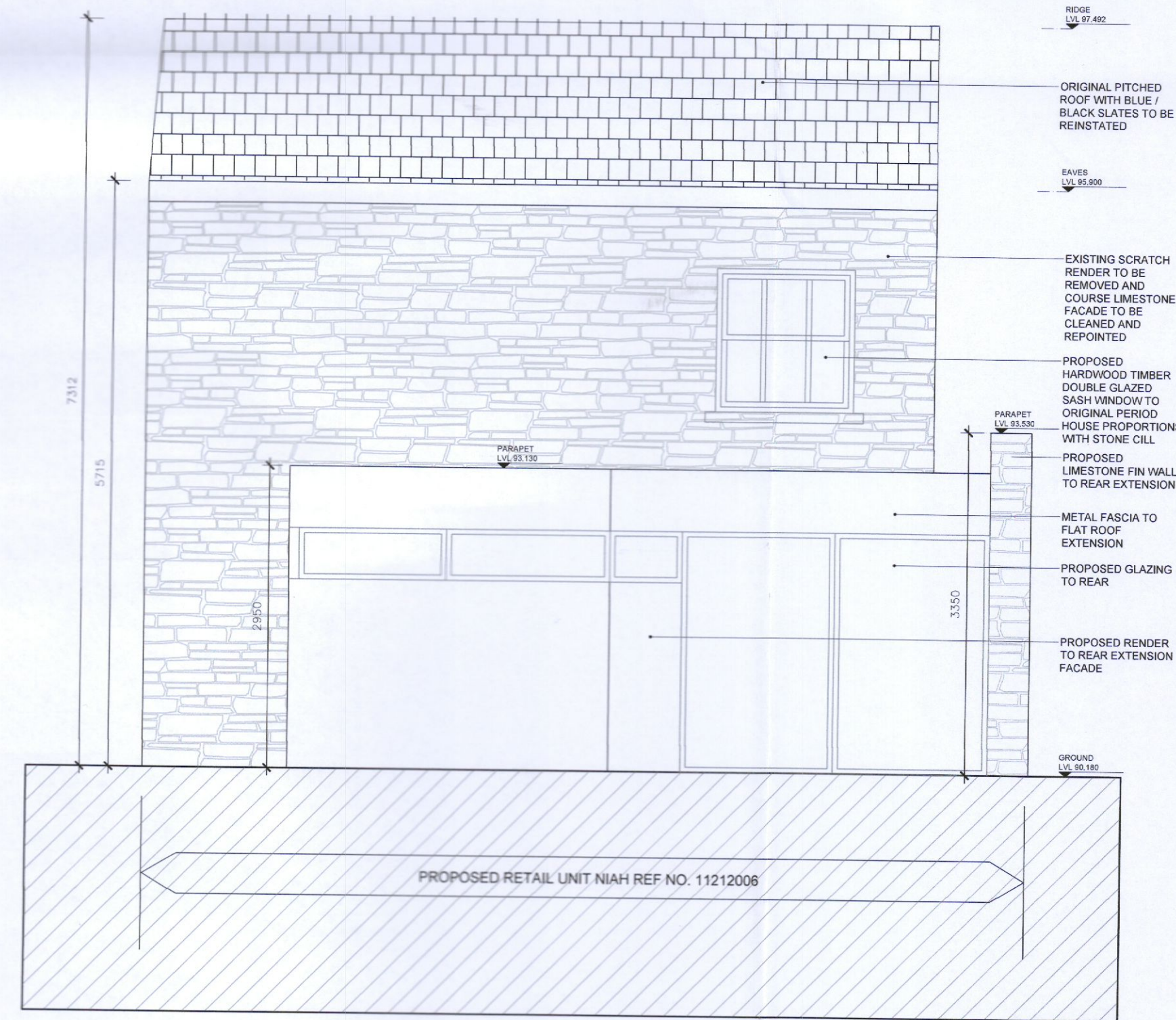
01 Building D - Proposed Front (North) Elevation
PA 303 1:50



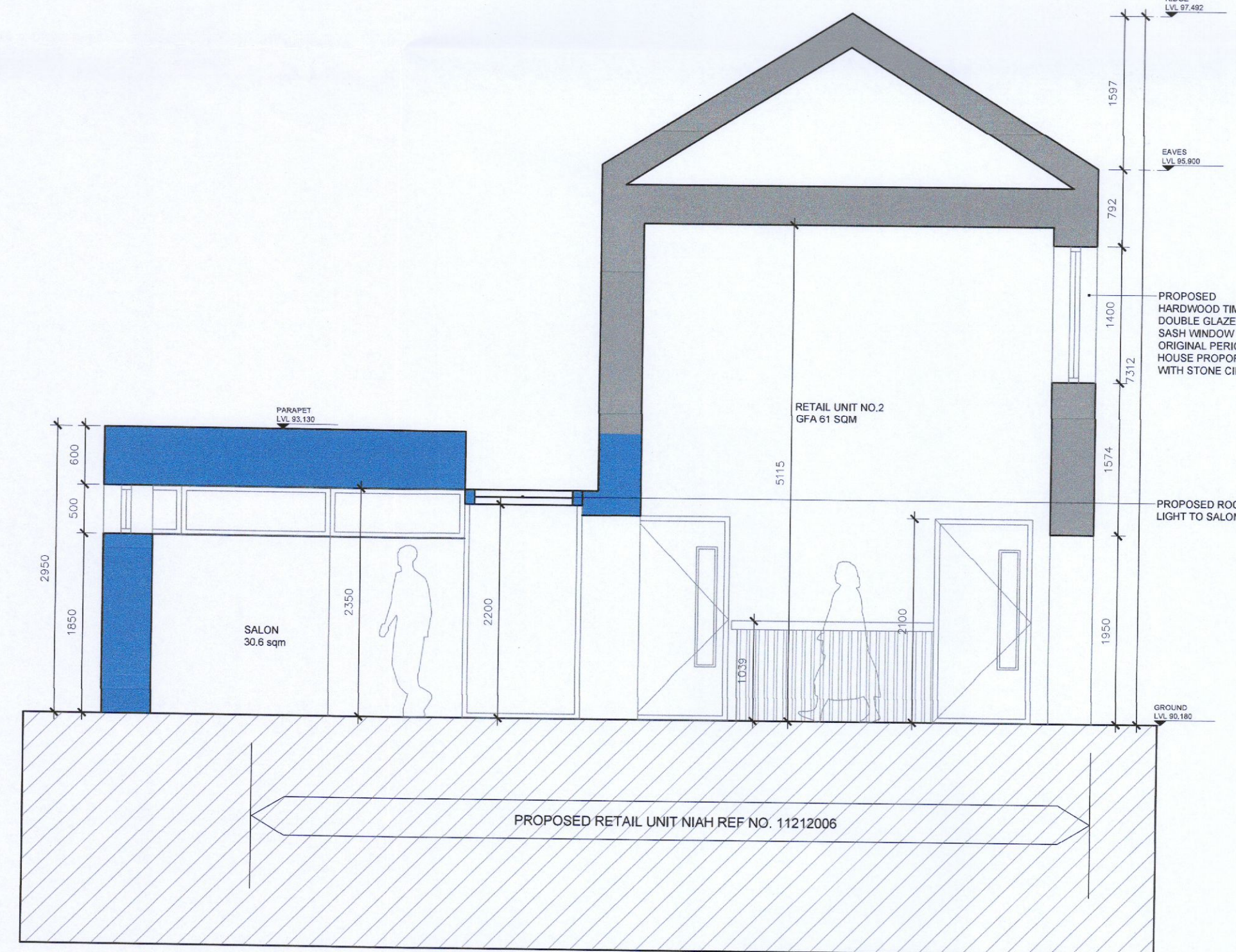
02 Building D - Proposed Side (East) Elevation
PA 303 1:50



03 Building D - Proposed Side (West) Elevation
PA 303 1:50



04 Building D - Proposed Rear (South) Elevation
PA 303 1:50



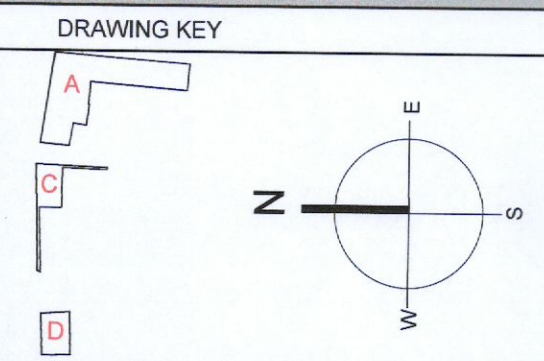
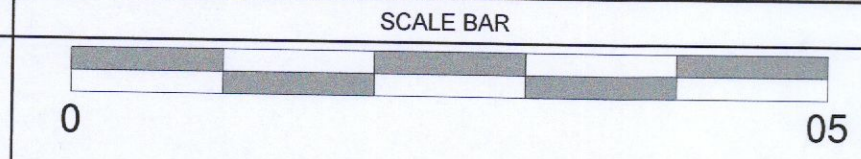
05 Building D - Proposed Section AA
PA 303 1:50

NOTES:

- Do not scale from this drawing.
- Any discrepancies found on site to be reported to Darmody Architects immediately.
- Any discrepancies found on drawings to be reported to Darmody Architects immediately.
- Refer to engineers drawings for structural details.
- All dimensions sized to blockwork.

Rev.	Description	Date	Initials
A	Metal Lidl Sign added	02/02/23	MP

DRAWING KEY
 Proposed New Intervention to Existing Structure



creative innovative flexible



darmody
architecture

91 Townsend Street, Dublin 2
353 1 672 9907
info@darmodyarchitecture.com
darmodyarchitecture.com

Rev. No.	Scale	Date	Drn. By	Chkd. By	Issue
A	1:50 @ A1	11/05/2022	Kevin Barry	Alan Ryan	CFI

Project	Proposed Lidl Store at Newcastle, Co. Dublin
Title	Building D - Proposed Elevations & Section
Client	Lidl Ireland GmbH
Dwg. No.	PA-303
Job No.	22013