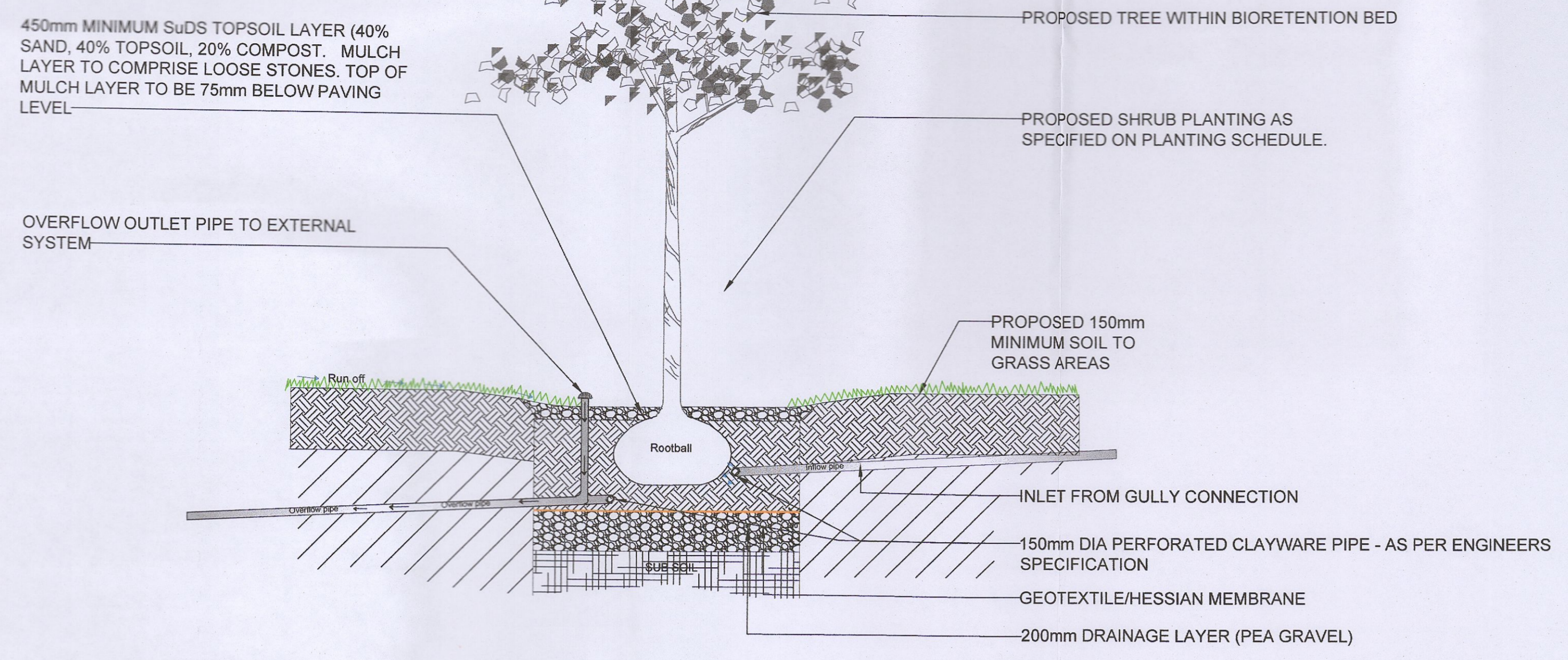
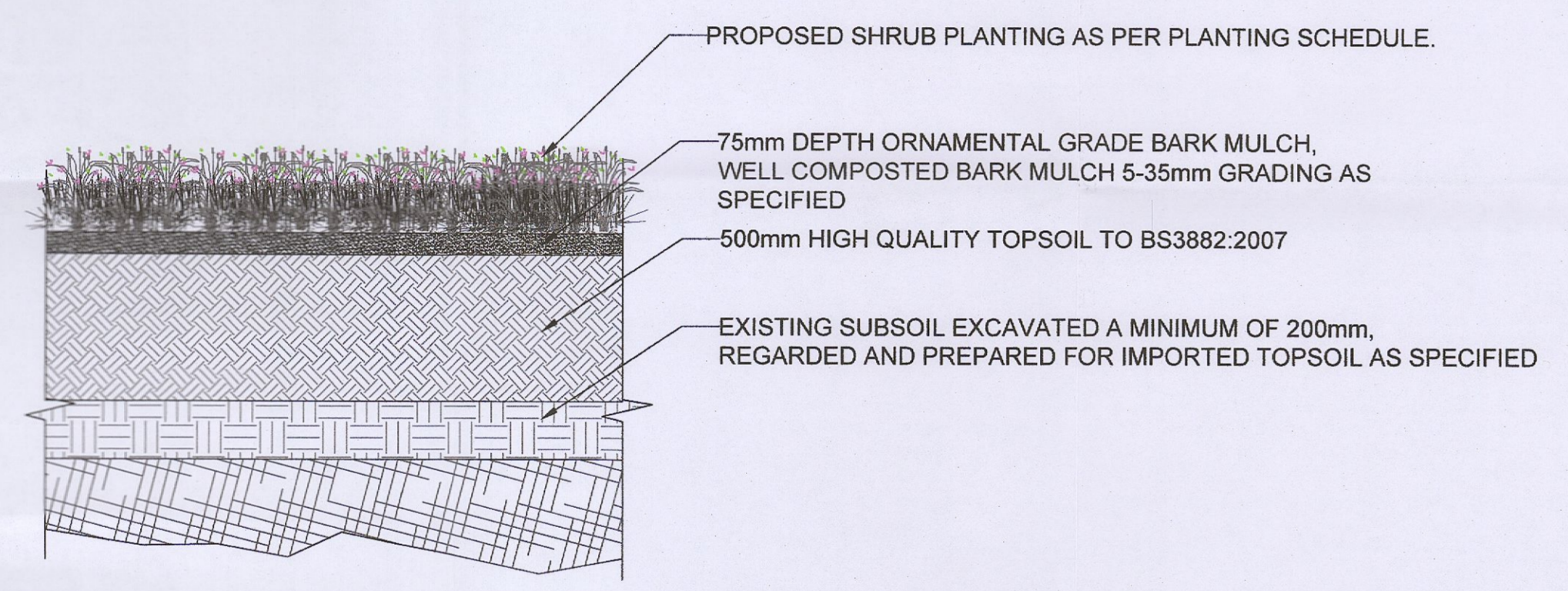


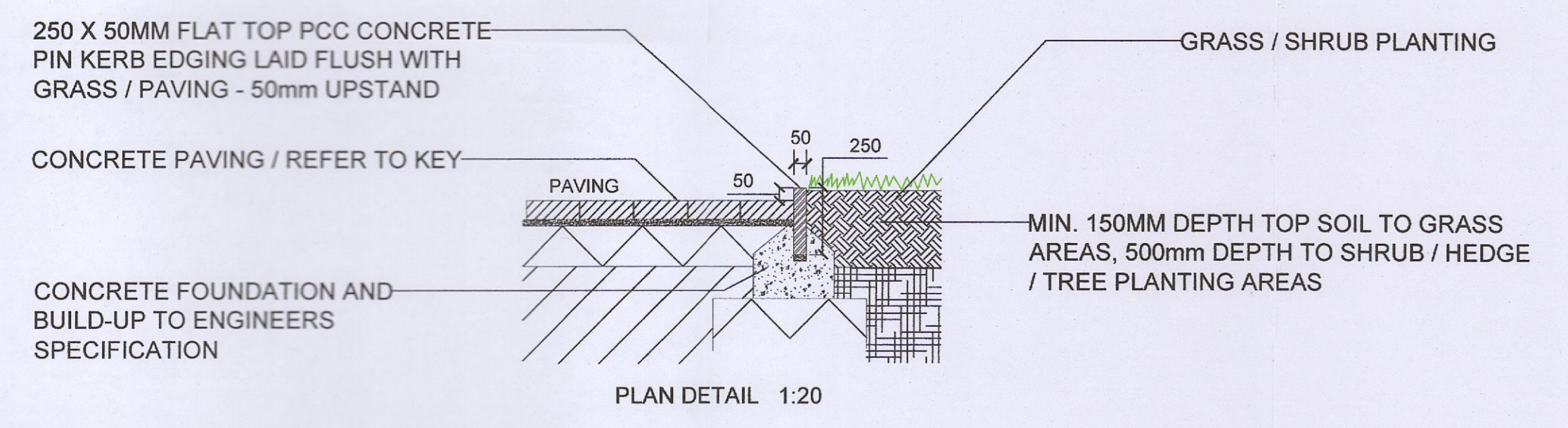
GENERAL NOTES:
 ** Do not scale from this drawing
 ** Use figured dimensions only
 © This drawing is copyright. No part of this document may be reproduced or transmitted in any form or stored in any retrieval system from the copyright holder, except as agreed for and on a project, for which the document was originally issued.



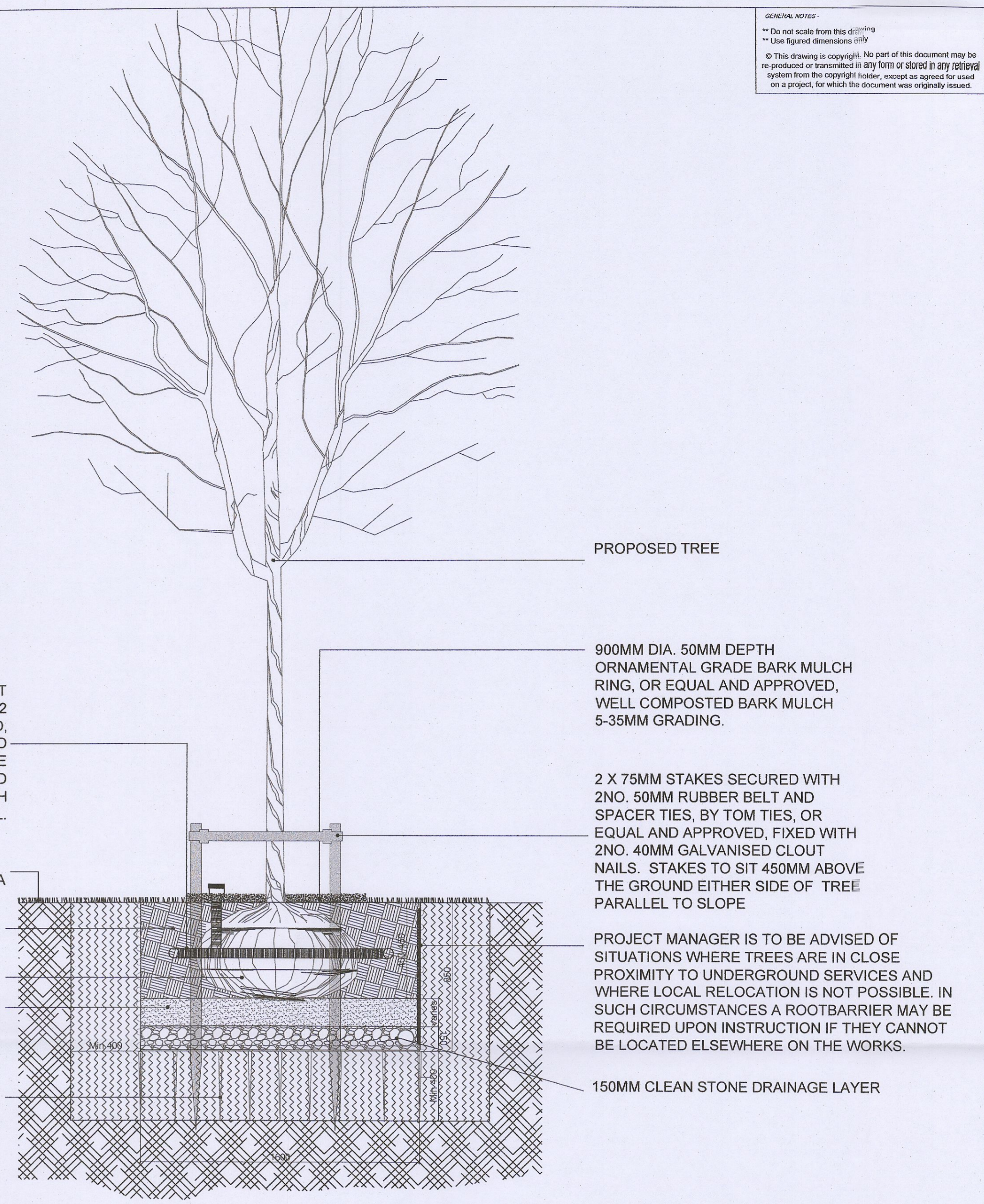
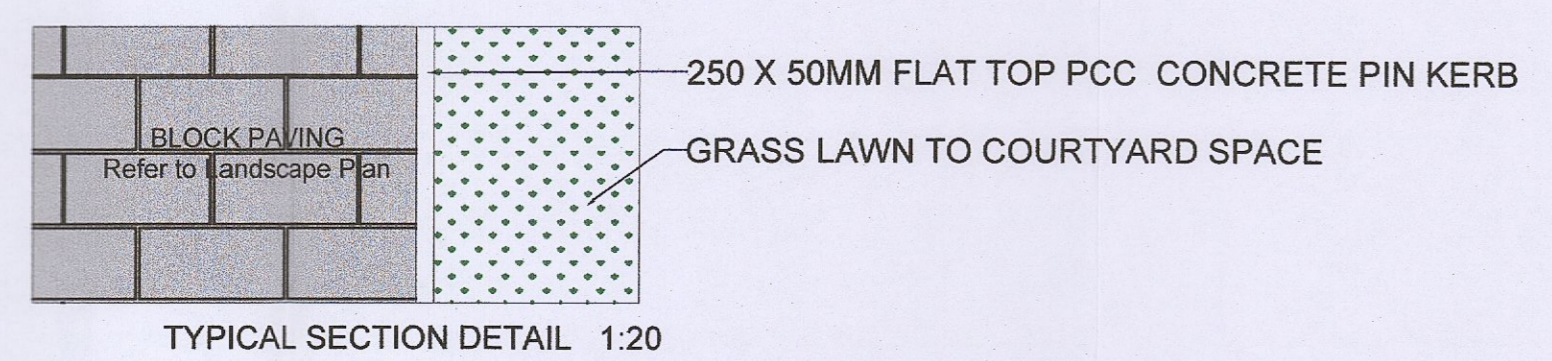
TYPICAL BIO-RETENTION SuDS BED / TREE PLANTING SECTION
 SCALE 1:20



TYPICAL SHRUB PLANTING DETAIL
 SCALE 1:20



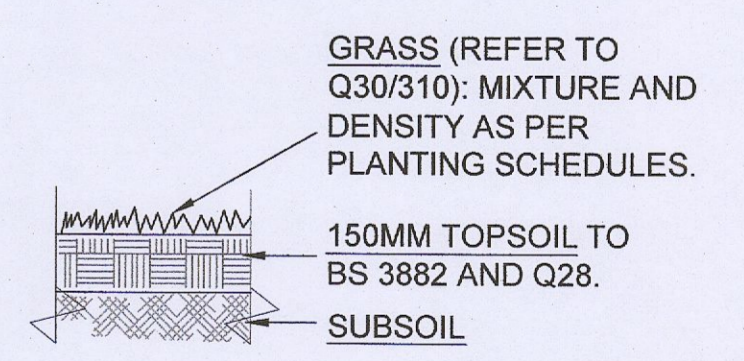
TYPICAL PAVING / SHRUB / GRASS INTERFACE DETAIL
 SCALE 1:20



TREE PLANTING IN SOFTSCAPE DETAIL
 SCALE 1:20

GRASS NOTES:

- SOIL PREPARATION:
- SUBSOIL: 45CM DEEP SUBSOIL BROKEN-UP TO ALLOW FOR GOOD DRAINAGE.
 - STONES: MAXIMUM SIZE OF STONES / EARTH CLOGS: 30MM.
 - WHEN WEED SEEDS GERMINATE TREATED THEM WITH HERBICIDE.
 - TOPSOIL: BEFORE SOWING FINAL 25MM TO BE REDUCED TO A FINE TILTH BY USE OF HARROW OR OTHER SUITABLE PLANT.
- SOWING:
 SOWING SHOULD TAKE PLACE WHEN THE SOIL IS A REASONABLY DRY WITH CRUMBLY CONDITION AND TO BE IMMEDIATELY FOLLOWED BY LIGHTLY RAKING THE SURFACE TO COVER THE SEEDS, SO THE GROUND IS BROKEN DOWN TO AN APPROVED DEGREE OF TILTH AND FIRMNESS. ESTABLISHMENT SHALL BE REGARDED AS ACHIEVED WHEN AT LEAST 80% OF THE QUADRANT SUB-DIVISIONS ARE RECORDED AS 'FILLED' WHEN TESTED IN ACCORDANCE WITH ANNEX A3 OF BS 3969.



GRASS SEEDING - SECTION
 SCALE 1:20

Reg. Ref. SD22A/0096
 ADDITIONAL INFORMATION

| Rev | Initial | Date | Revision Description |
|-----|---------|------|----------------------|
| | | | |
| | | | |
| | | | |

| | | |
|---|---|--|
| DOWNEY 29 Merrion Square, DUBLIN 4, +353 (0) 1 253 0220 info@downey.ie | | SCALE @ A1: 1:20 SCALE @ A2: A1 PAPER SIZE: A1 |
| CLIENT: LORAT TRADING LTD | DRAWN BY: JMC CHECKED BY: JMC DATE: JAN 2021 REVISION: | JOB NO: 436-003 DWG NO: 436-003-A1-611 |
| PROJECT: PROPOSED DEVELOPMENT AT MAIN ST, RATHCOOLE, CO.DUBLIN | DWG TITLE: TYPICAL LANDSCAPE DETAILS - HARD & SOFT | REVISION: |