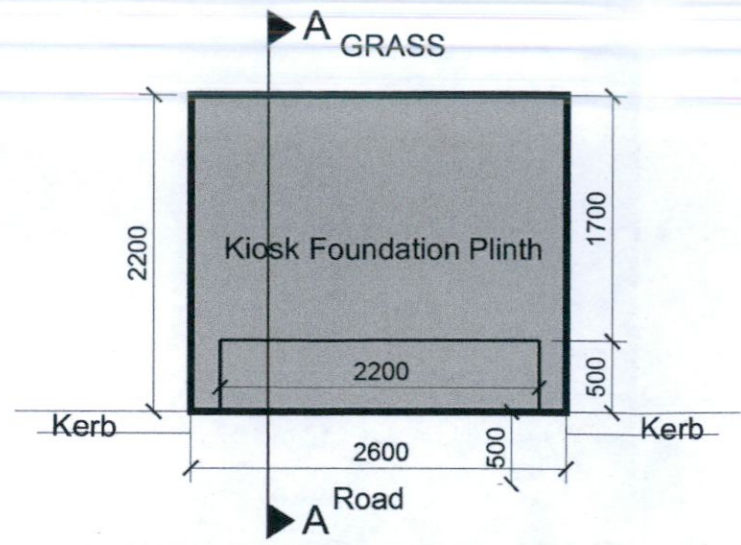
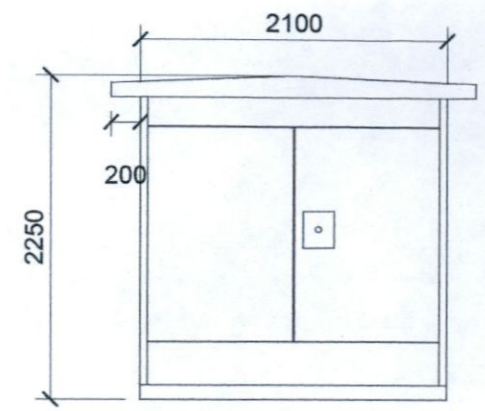


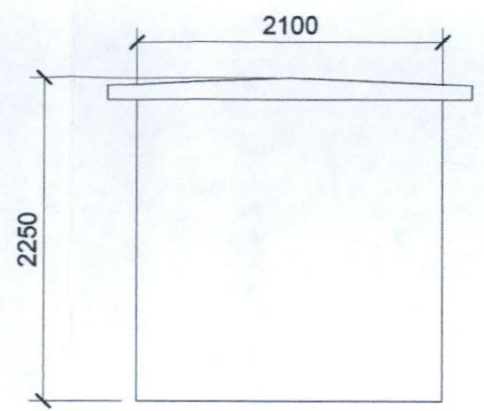
GENERAL NOTES -
 ** Do not scale from this drawing
 ** Use figured dimensions only
 © This drawing is copyright. No part of this document may be reproduced or transmitted in any form or stored in any retrieval system from the copyright holder, except as agreed for use on a project, for which the document was originally issued.



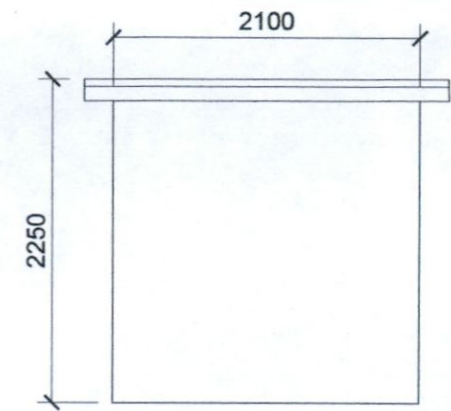
SUBSTATION PLAN
SCALE 1:50



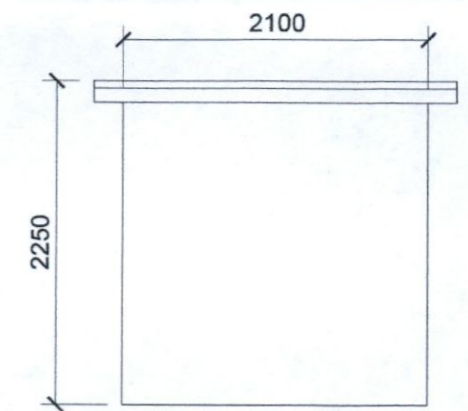
FRONT ELEVATION
SCALE 1:50



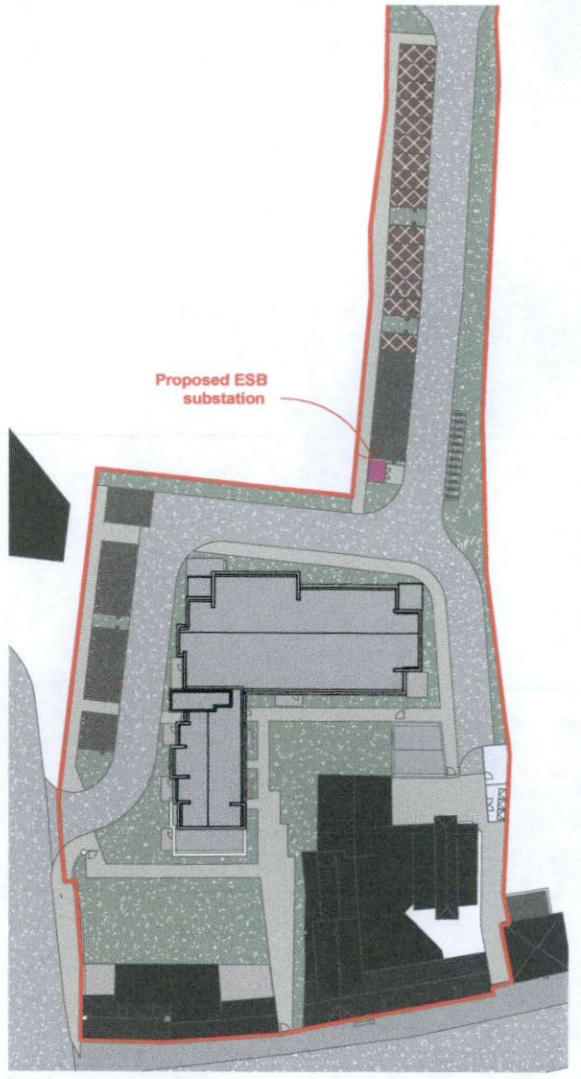
REAR ELEVATION
SCALE 1:50



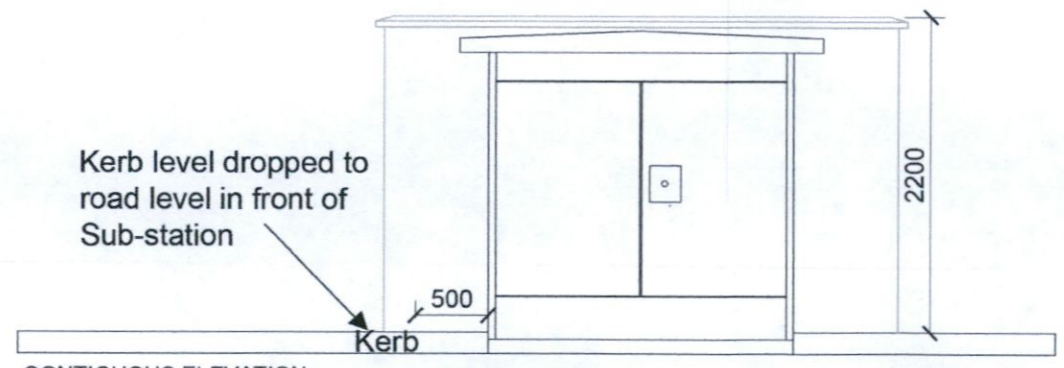
SIDE ELEVATION
SCALE 1:50



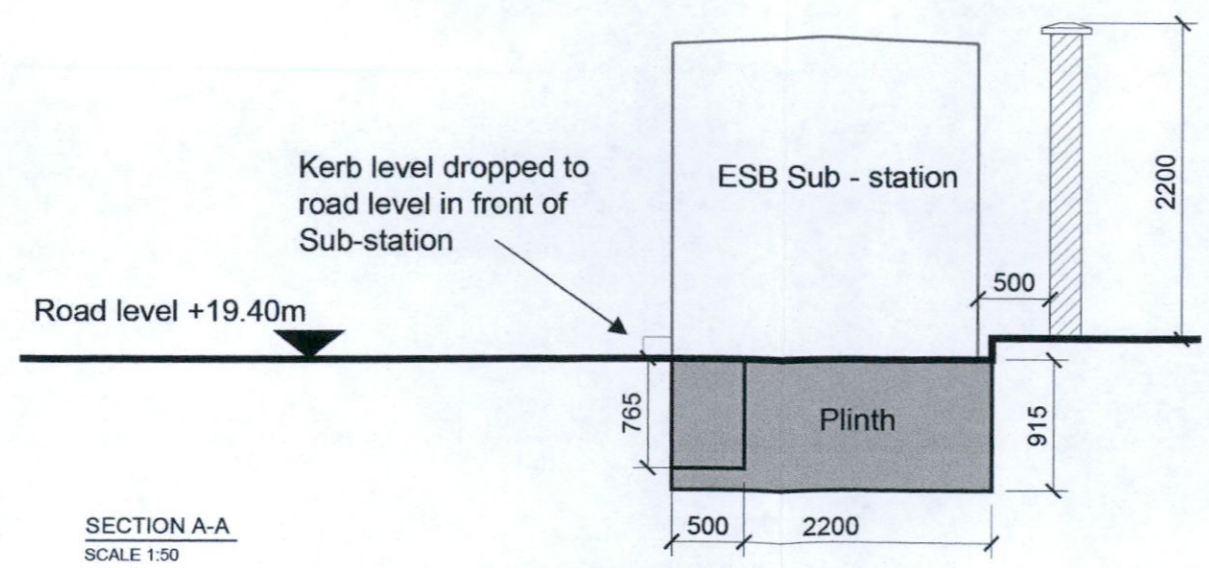
SIDE ELEVATION
SCALE 1:50



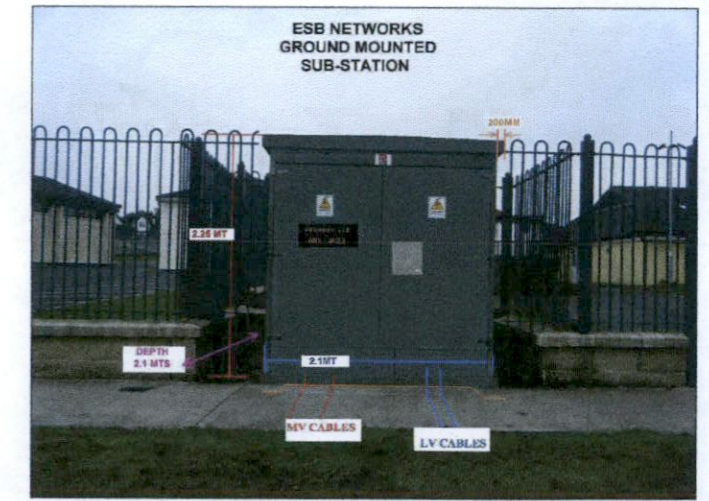
1 Location of Substation on site
Scale: 1 : 1000



CONTIGUOUS ELEVATION
SCALE 1:50



SECTION A-A
SCALE 1:50



EXAMPLE OF SUBSTATION
NTS

A.I.

Rev.	Initial	Date	Revision Description
A1	PG	03.03.2023	Response to A.I. request

DCWNEY 29 Merrion Square, D02R664, +353 (0) 1 253 0220, info@dcwney.ie

RIAI 2023

CLIENT	Lorat Trading LTD.	SCALE @ A1:	PAPER SIZE	A3
PROJECT	Proposed Development at Main Street, Rathcoole, Co. Dublin	SCALE @ A3:	DRAWN BY:	PG
DWG. TITLE	Proposed sub-station plans, sections, elevations	CHECKED BY:	RK	JOB NO. 436-003
		DATE:	Mar. 23	DRWG NO. PL-500
		REVISION:	A1	