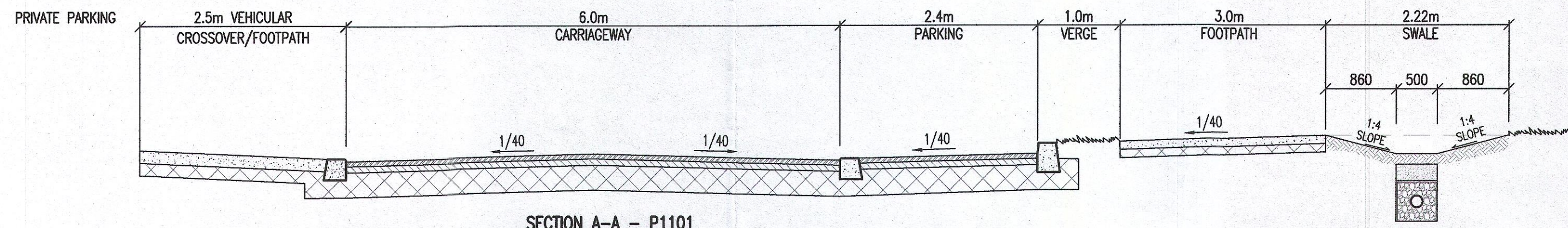
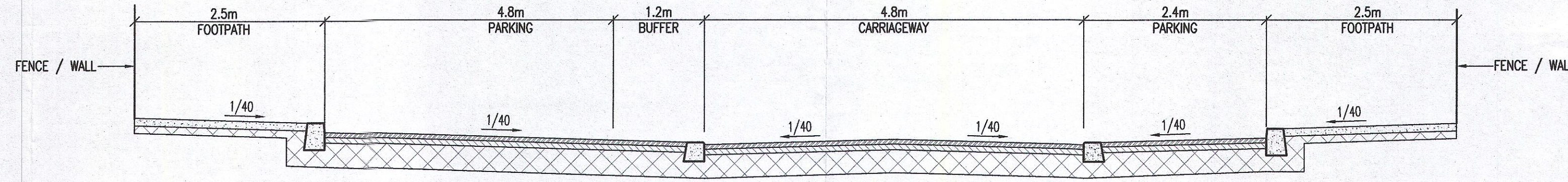


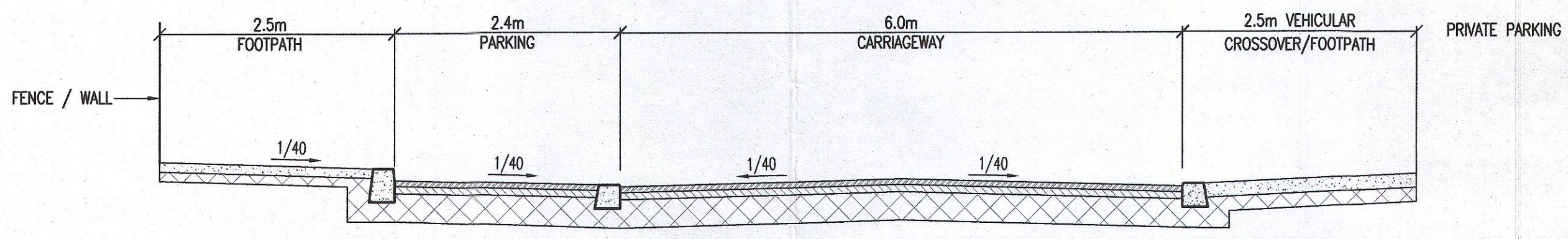
- NOTES:
- DO NOT SCALE. USE FIGURED DIMENSIONS ONLY.
 - THIS DRAWING IS TO BE READ IN CONJUNCTION WITH ALL OTHER RELEVANT ARCHITECTURAL AND ENGINEERING DRAWINGS.



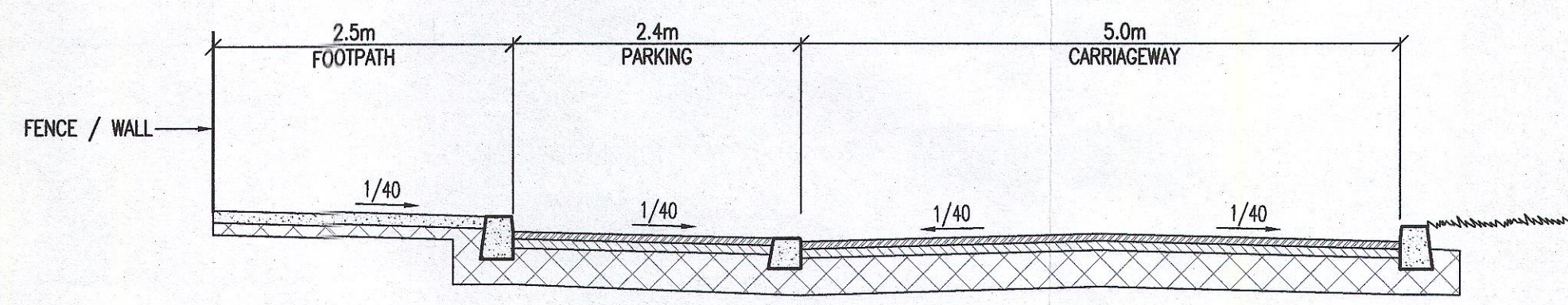
SECTION A-A - P1101
ROAD 1
SCALE 1:50



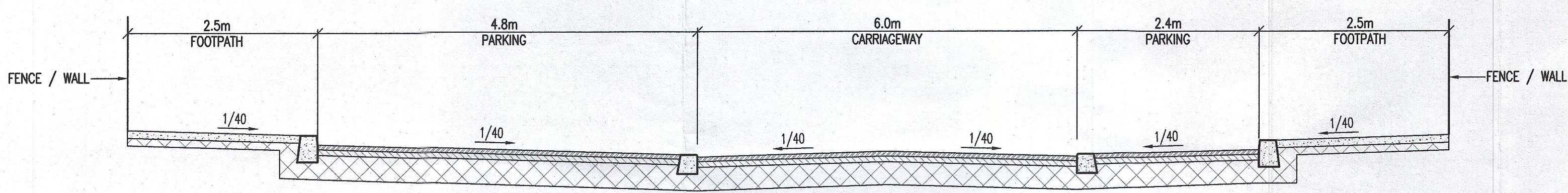
SECTION G-G - P1102
ROAD 9
SCALE 1:50



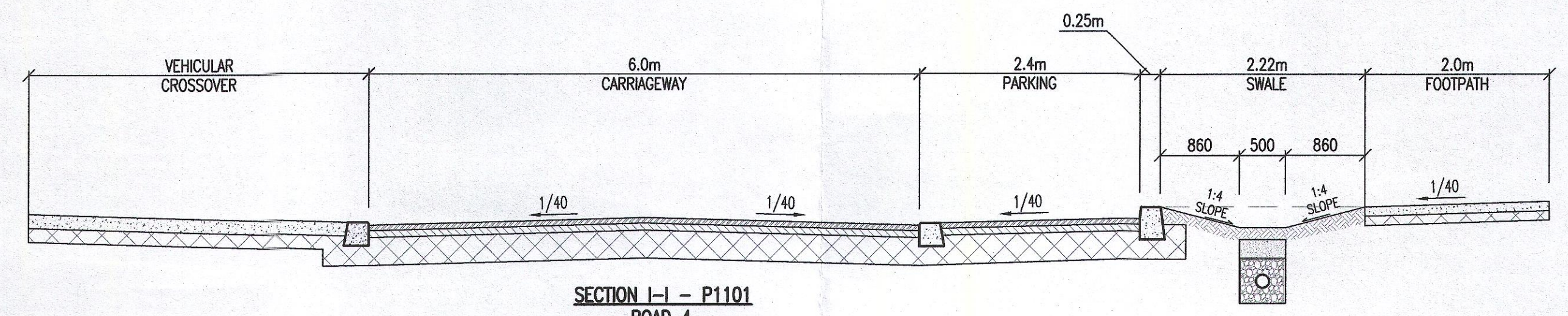
SECTION B-B F-F - P1101
ROAD 2, ROAD 5
SCALE 1:50



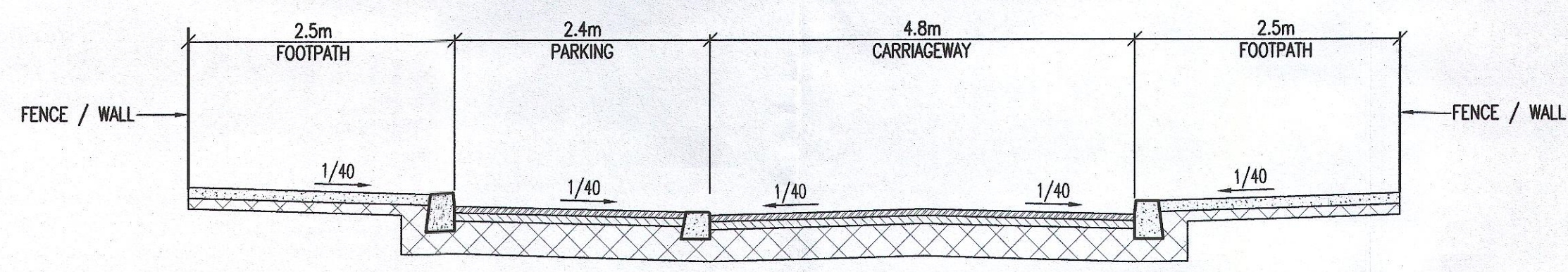
SECTION H-H - P1102
ROAD 5
SCALE 1:50



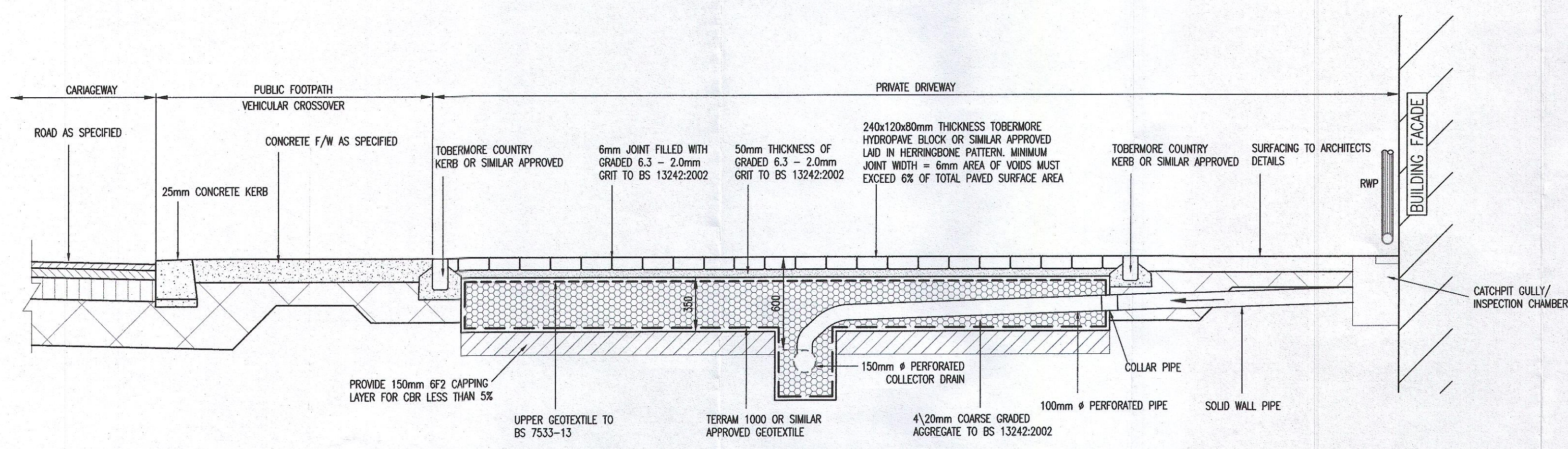
SECTION C-C D-D - P1101
ROAD 5, ROAD 6
SCALE 1:50



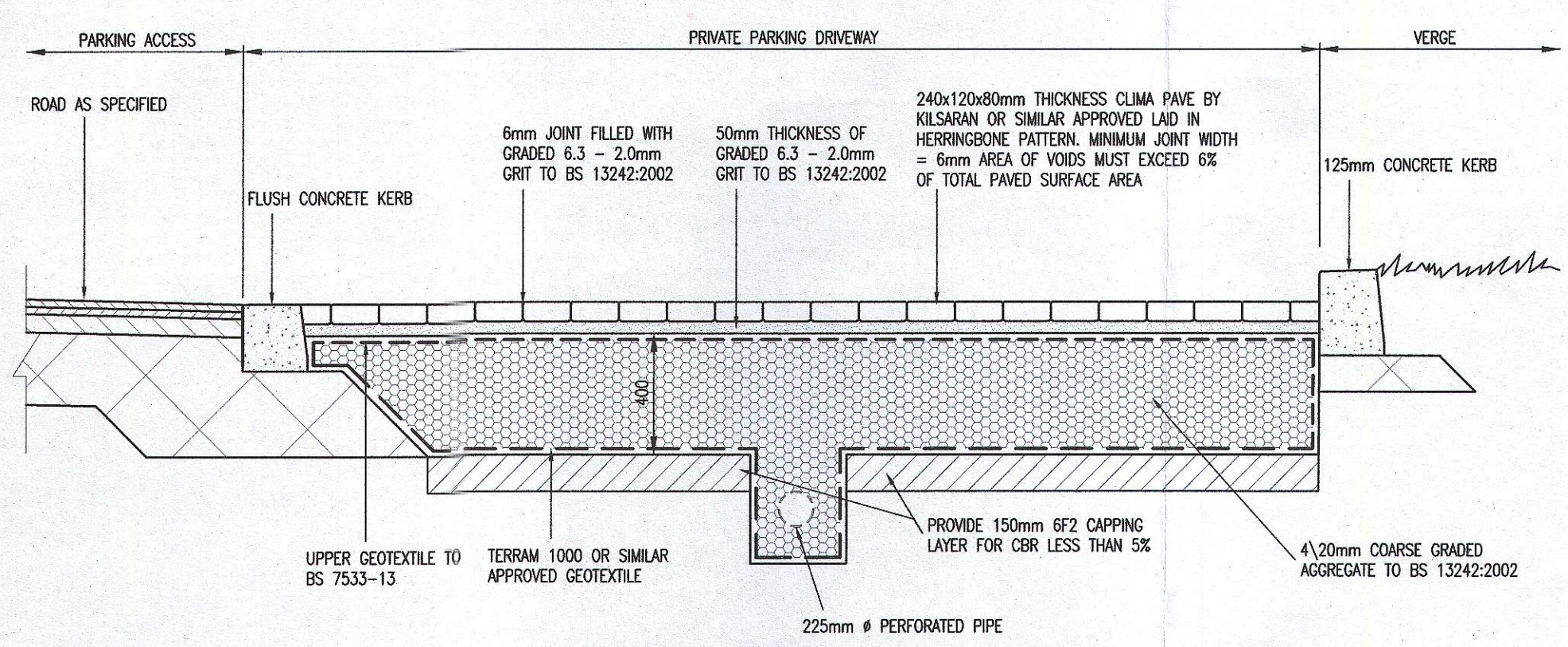
SECTION I-I - P1101
ROAD 4
SCALE 1:50



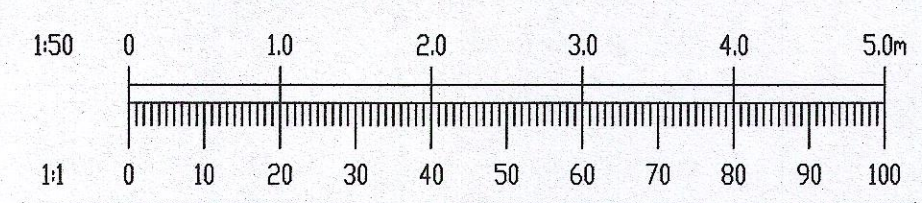
SECTION E-E - P1101
ROAD 7
SCALE 1:50



SECTION THROUGH DRIVEWAY & PERMEABLE PAVING
SCALE 1:25



SECTION THROUGH PRIVATE PARKING BAY PERMEABLE PAVING
SCALE 1:25



REV.	DATE	AMENDMENT	DRN	APPD

STATUS **PLANNING**

Waterman Moylan
Engineering Consultants
BLOCK 5, EASTPOINT BUSINESS PARK, ALFIE BYRNE ROAD,
DUBLIN D03 H3F4 IRELAND
Tel: (01) 664 8600 Fax: (01) 661 3618
Email: info@waterman-moylan.ie www.waterman-moylan.ie

CLIENT **QUINTAN**
ARCHITECT **BKD ARCHITECTS**
PROJECT **CLONBURRIS**
TITLE **ROAD DETAILS AND SECTIONS SHEET 2 OF 2**

DRAWN MS	DESIGNED RM	APPROVED MD	DATE JAN 2023
SCALE AS SHOWN @ A1	JOB NO. 21-055	DRG. NO. P1121	REVISION

© 2017. This drawing is copyright. No part of this document may be reproduced or transmitted in any form or stored in any retrieval system of any nature without the written permission of the consulting engineer or copyright holder except as agreed for use on the project for which the document was originally issued.