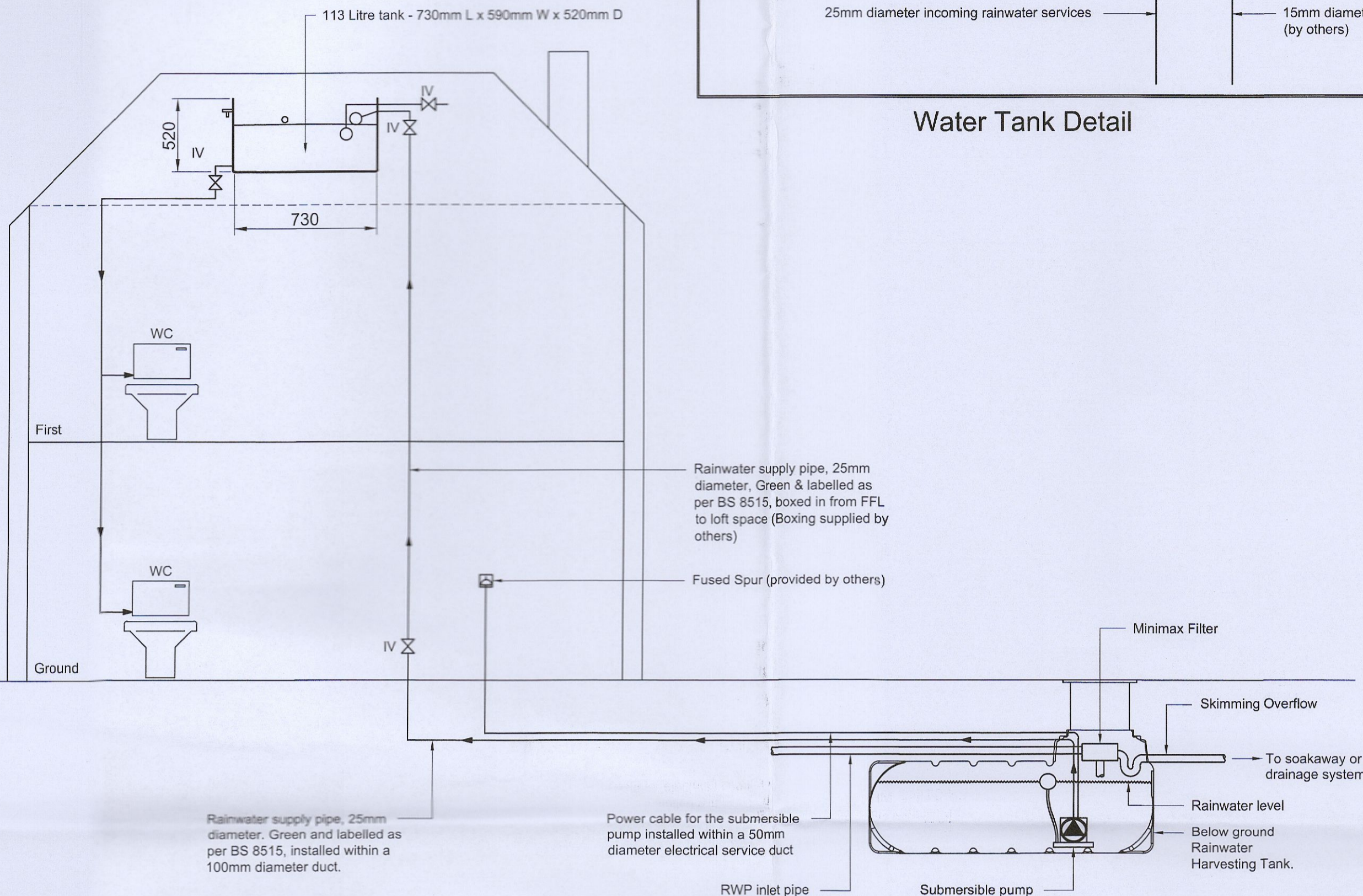
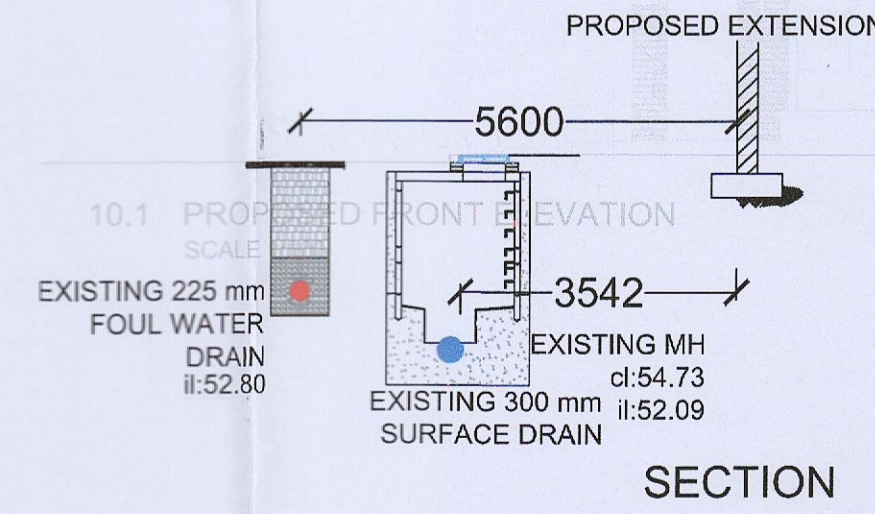
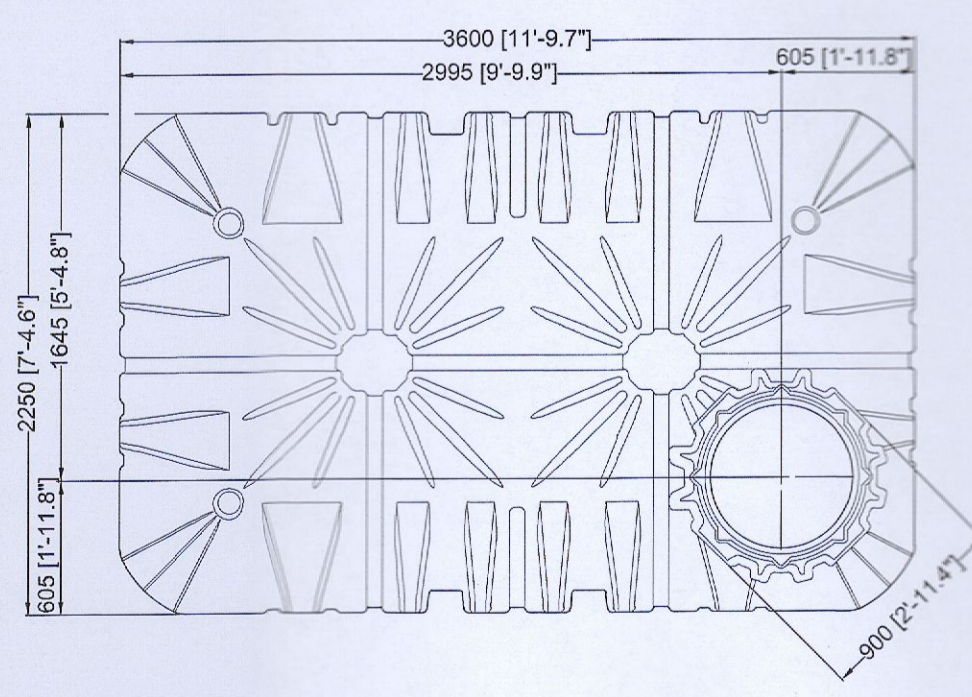


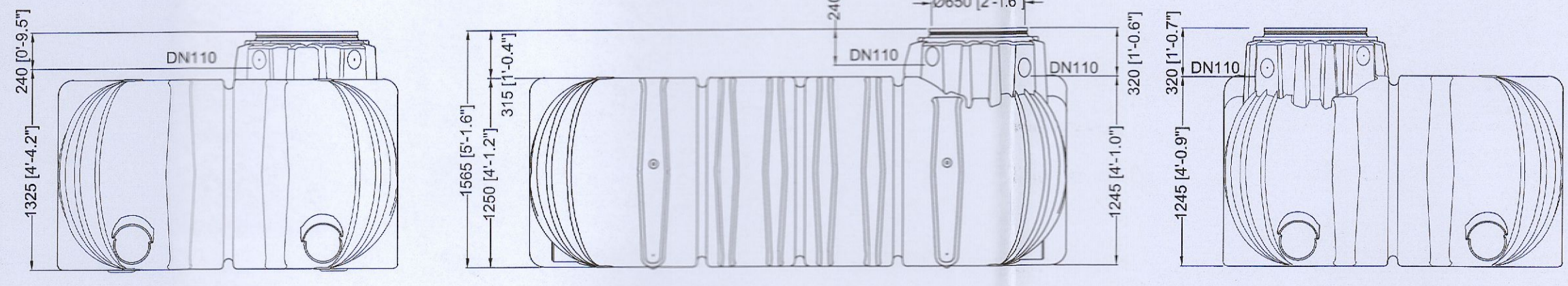
Water Tank Detail



Rainwater Harvesting Schematic Indirect Supply System With Header Tank



SECTION



GRAF Platin Flachtank 7500 L / 1981 gal



PROPOSED DRAINAGE PLAN SCALE 1/100

Rev	Revision description	Date	Drawn	Design	Check	Job Title:	Client:	Scale:
						<b>1 Rossberry Avenue LucanCo Dublin K78 A032</b>	<b>Muhammad Iqbal</b>	<b>A1 @ 1:100</b>
						<b>DRAINAGE LAYOUT&amp;DETAILS</b>	Drawing number:	Date:
							<b>5892/C101</b>	<b>JAN'23</b>
A	Issued for PLANNING	JAN 2023	AA	AA	TON			

4 Bridgecourt Office Park  
Walkinstown Avenue  
Dublin 12  
Tel / Fax: 01-426 4883 /  
01-429 7971  
email: mail@once.co  
www.once.co

**once**  
consultant engineers