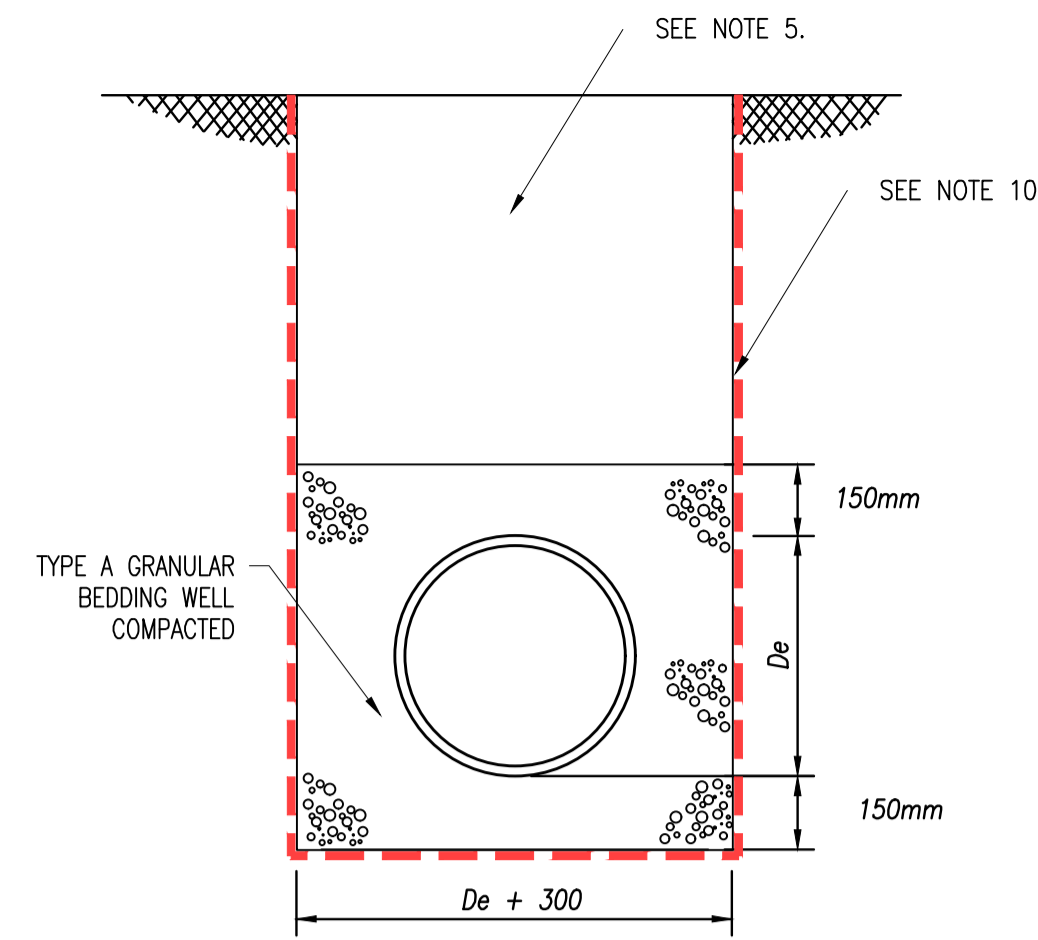
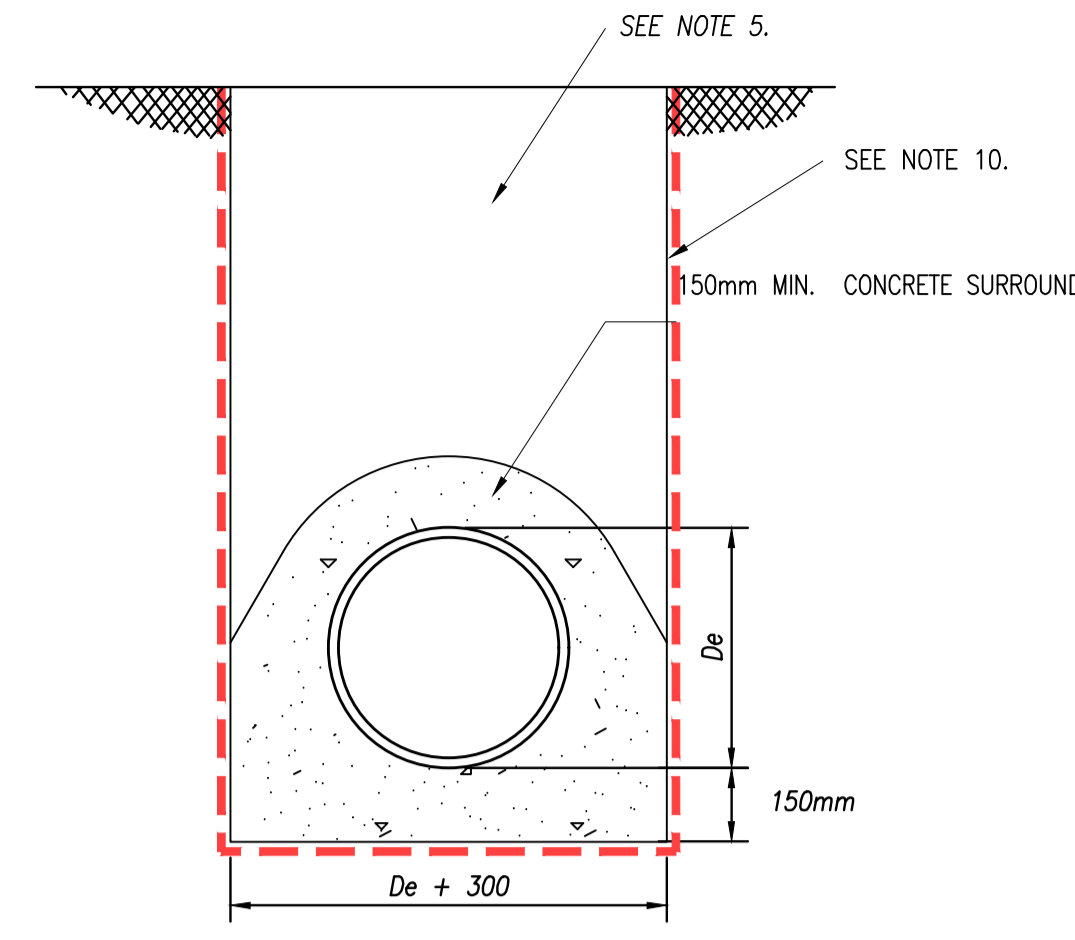


TYPICAL SADDLE CONNECTION DETAIL TO PUBLIC SEWER
Scale 1:20

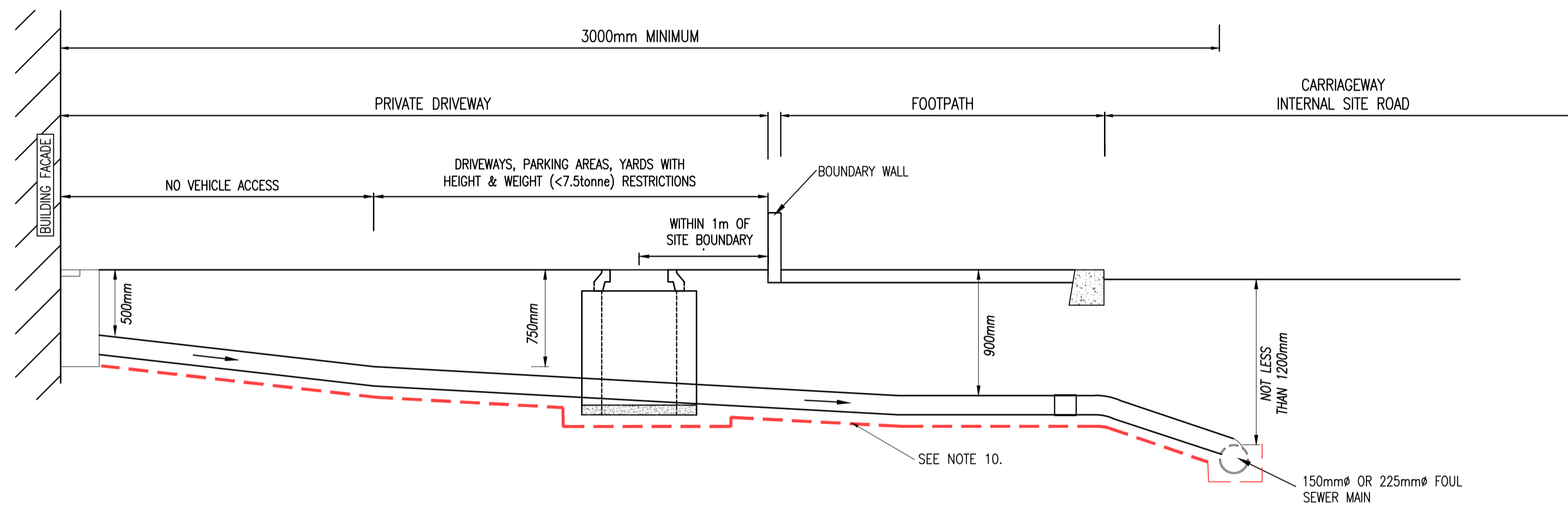


GRANULAR BED AND SURROUND

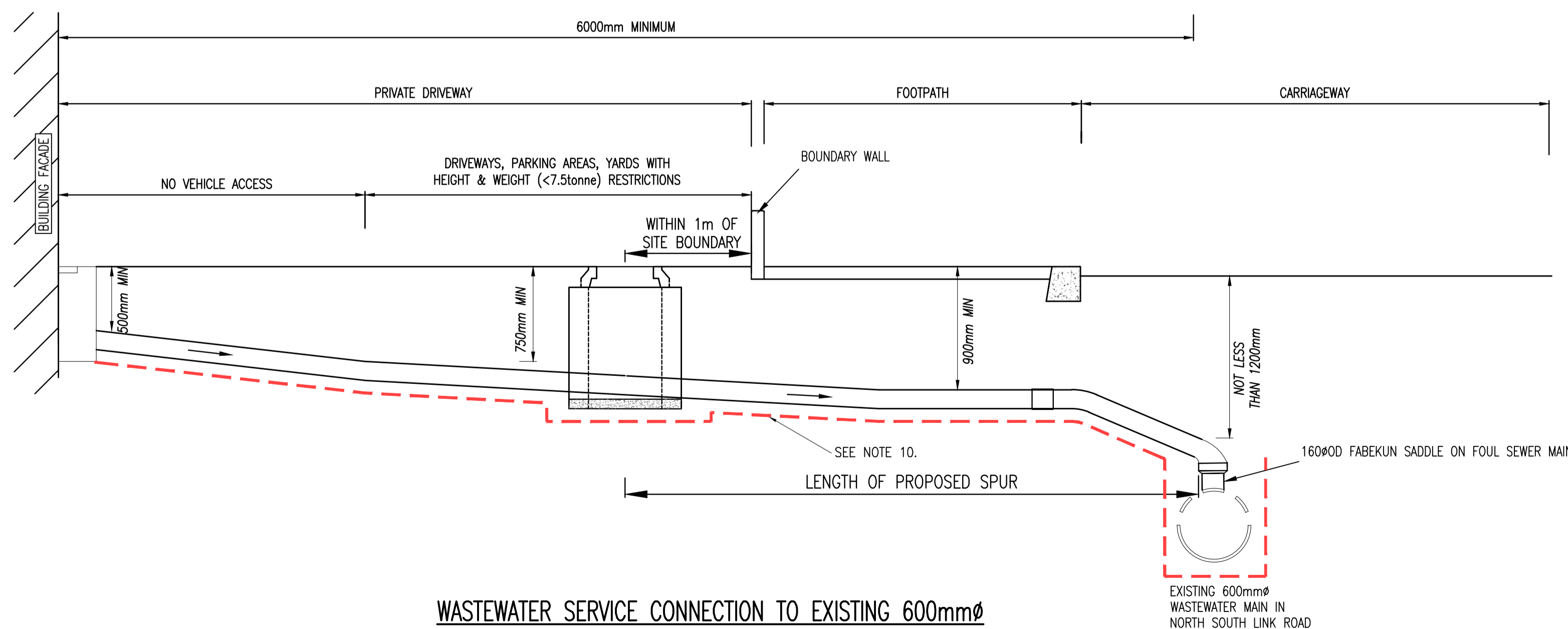
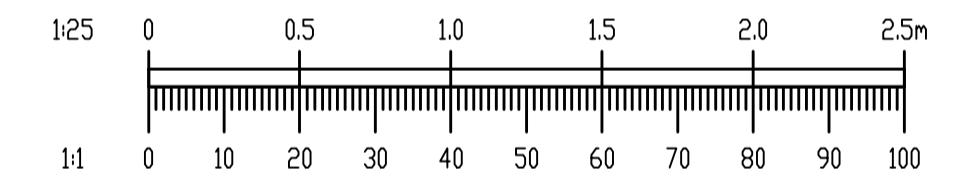


CONCRETE BED AND SURROUND
WHEN COVER IS LESS THAN 1.2m UNDER ROADS AND FOOTPATHS

- NOTES:**
- DO NOT SCALE. USE FIGURED DIMENSIONS ONLY.
 - THIS DRAWING IS TO BE READ IN CONJUNCTION WITH ALL OTHER RELEVANT ARCHITECTURAL AND ENGINEERING DRAWINGS.
 - THIS DRAWING IS TO BE READ IN CONJUNCTION WITH ALL OTHER RELEVANT ARCHITECTURAL AND ENGINEERING DRAWINGS.
 - TYPE A GRANULAR BEDDING SHALL BE SUBJECT TO SWELLING AND SHRINKAGE. ALL MATERIAL SHALL PASS A 19mm B.S. SIEVE TEST AND SHALL BE RETAINED BY A 4.75mm B.S. SIEVE TEST.
 - SELECTED FILL SHALL BE FREE FROM STONES GREATER THAN 25mm IN SIZE, BUILDERS RUBBLE, VEGETABLE MATTER AND LUMPS OF CLAY GREATER THAN 75mm IN SIZE AND SHALL BE COMPACTED IN 150mm LAYERS.
 - IN OPEN SPACES BACKFILL SHALL CONSIST OF SUITABLE SELECTED EXCAVATED MATERIAL. UNDER PAVED AREAS BACKFILL SHALL CONSIST OF CLAUSE 808. GENERAL BACKFILL SHALL BE COMPACTED IN LAYERS NOT EXCEEDING 150mm THICK.
 - CONCRETE BED AND SURROUND SHALL BE USED ON ALL PIPES WHERE COVER TO THE SOFFIT OF THE PIPE IS LESS THAN 1.2m IN ROADS, FOOTPATHS AND GRASS MARGINS AND 0.9m IN OPEN SPACES AND FIELDS.
 - ALL CONCRETE FOR PIPE BEDDING, HAUNCHING AND SURROUNDS SHALL BE GRADE CL 20N/20mm.
 - ALL DRAINAGE WORKS SHALL BE CONSTRUCTED STRICTLY IN ACCORDANCE WITH SOUTH DUBLIN COUNTY COUNCIL REQUIREMENTS FOR TAKING IN CHARGE AND GREATER DUBLIN REGIONAL CODE OF PRACTICE FOR DRAINAGE WORKS.
 - PERTAINING TO FOUL WATER DRAINAGE WORKS - IT IS THE CONTRACTORS RESPONSIBILITY TO ENSURE THAT ALL WORKS ARE CONSTRUCTED IN ACCORDANCE WITH THE IRISH WATER CODE OF PRACTICE AND STANDARD DETAILS. THE CODE OF PRACTICE AND STANDARD DETAILS ARE AVAILABLE TO DOWNLOAD FROM THE IRISH WATER WEB SITE AT WWW.WATER.IE/CONNECTIONS/DEVELOPER-SERVICES/ WHERE THE DETAILS CONTAINED ON THIS DRAWING DIFFER FROM THE IRISH WATER CODE OF PRACTICE OR STANDARD DETAILS THIS MUST BE BROUGHT TO THE ATTENTION OF THE ENGINEER IMMEDIATELY. IRISH WATER STANDARDS WILL TAKE PRECEDENCE.
 - ALL TRENCHES IN EXPOSED ROCK TO BE LINED WITH LIQUID BITUMEN SPRAY IMMEDIATELY AFTER EXPOSURE.



WASTEWATER SERVICE CONNECTION TO PROPOSED 150/225mm Ø MAIN SEWER
Not To Scale



WASTEWATER SERVICE CONNECTION TO EXISTING 600mm Ø
Not to Scale

27/01/23	PLANNING COMPLIANCE ISSUE	PW	JB
REV.	DATE	AMENDMENT	DRN APPD

STATUS **FOR PLANNING ONLY
NOT FOR CONSTRUCTION**

Waterman Moylan
Engineering Consultants
BLOCK 5, EASTPOINT BUSINESS PARK, ALFIE BYRNE ROAD,
DUBLIN D03 H3F4 IRELAND. Tel: (01) 664 8900
Email: info@waterman-moylan.ie www.waterman-moylan.ie

CLIENT	QUINTAIN DEVELOPMENTS IRELAND Ltd.
ARCHITECT	MOLA ARCHITECTS
PROJECT	TANDY'S LANE VILLAGE - PHASE 2
TITLE	DRAINAGE CONSTRUCTION DETAILS SHEET 2 OF 2

DRAWN	DESIGNED	APPROVED	DATE
PW	JB	IW	JAN. 2023
SCALE	JOB NO.	DRG. NO.	REVISION
AS SHOWN@A1	21-058	P231	-