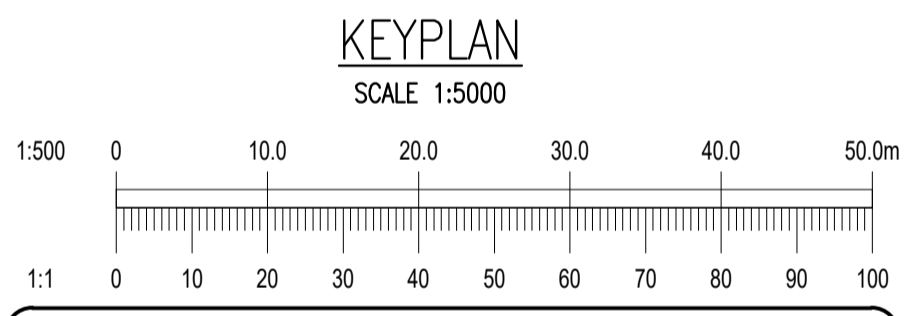
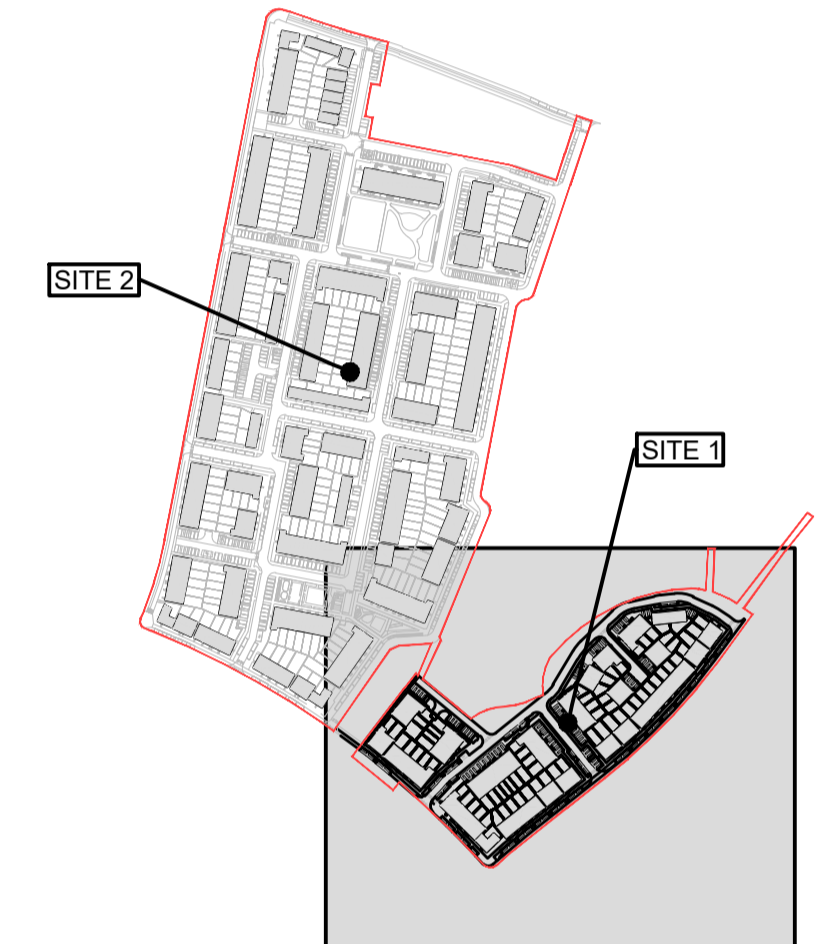


- NOTES:
- DO NOT SCALE. USE FIGURED DIMENSIONS ONLY.
 - THIS DRAWING IS TO BE READ IN CONJUNCTION WITH ALL OTHER RELEVANT ARCHITECTURAL AND ENGINEERING DRAWINGS.

LEGEND

- EXTENT OF WORKS
- PROPOSED ROAD CHAINAGE & LEVELS
- EXISTING ROAD CHAINAGE (CURRENTLY UNDER CONSTRUCTION)
- XX.XX HP PROPOSED HIGH POINT ROAD LEVEL
- XX.XX LP PROPOSED LOW POINT ROAD LEVEL
- 1:150 PROPOSED ROAD GRADIENT
- FFL + XX.XXX FINISHED FLOOR LEVEL (SET BY ARCHITECT)
- UNCONTROLLED CROSSING TACTILE PAVING
- CORDUROY TACTILE PAVING ARRANGEMENT
- PROPOSE RAMP

*NOTE - FINISHED FLOOR LEVELS PROVIDED BY ARCHITECT, SEE DRG. TL2-MOLA-XX-ZZ-DR-AR-0102 FOR REFERENCE



Ordnance Survey Ireland Licence
No. EN 0006022 © Ordnance Survey
Ireland/Government of Ireland.

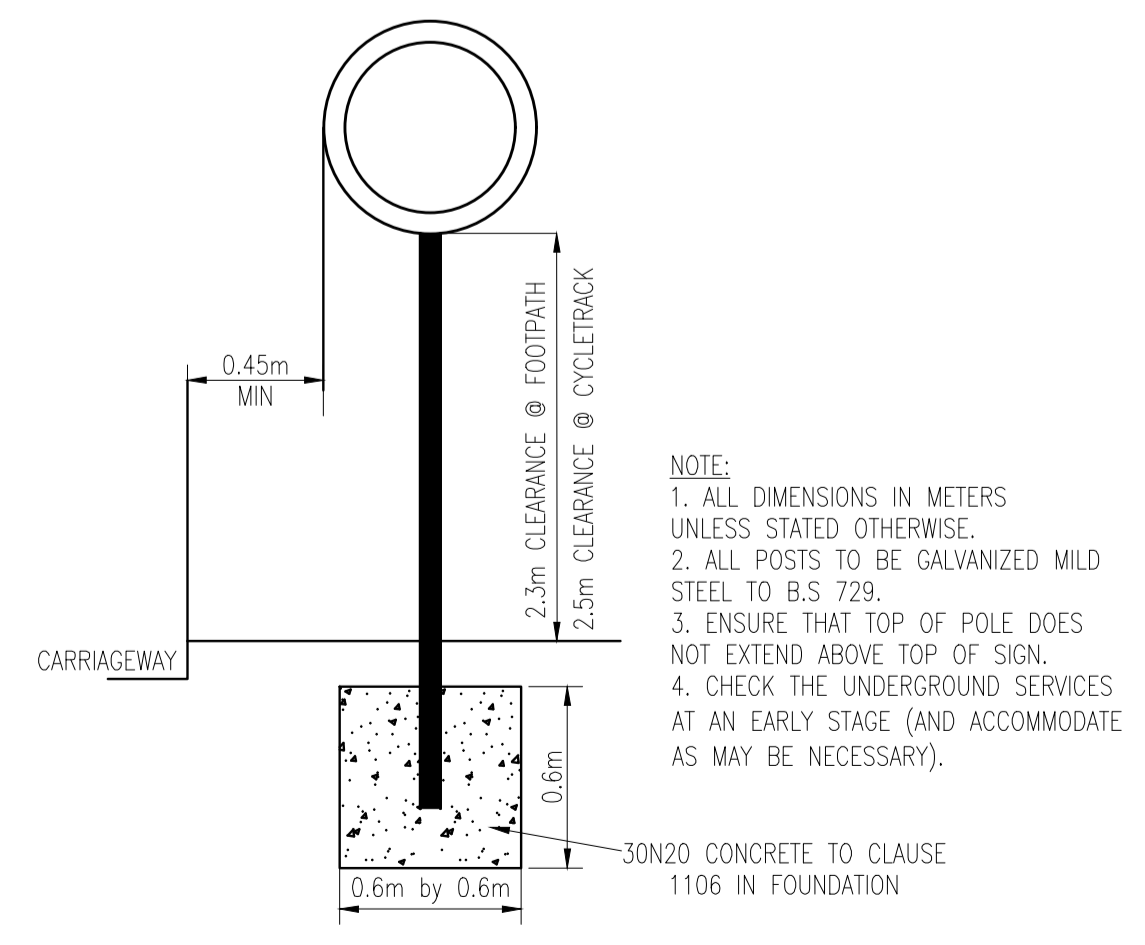
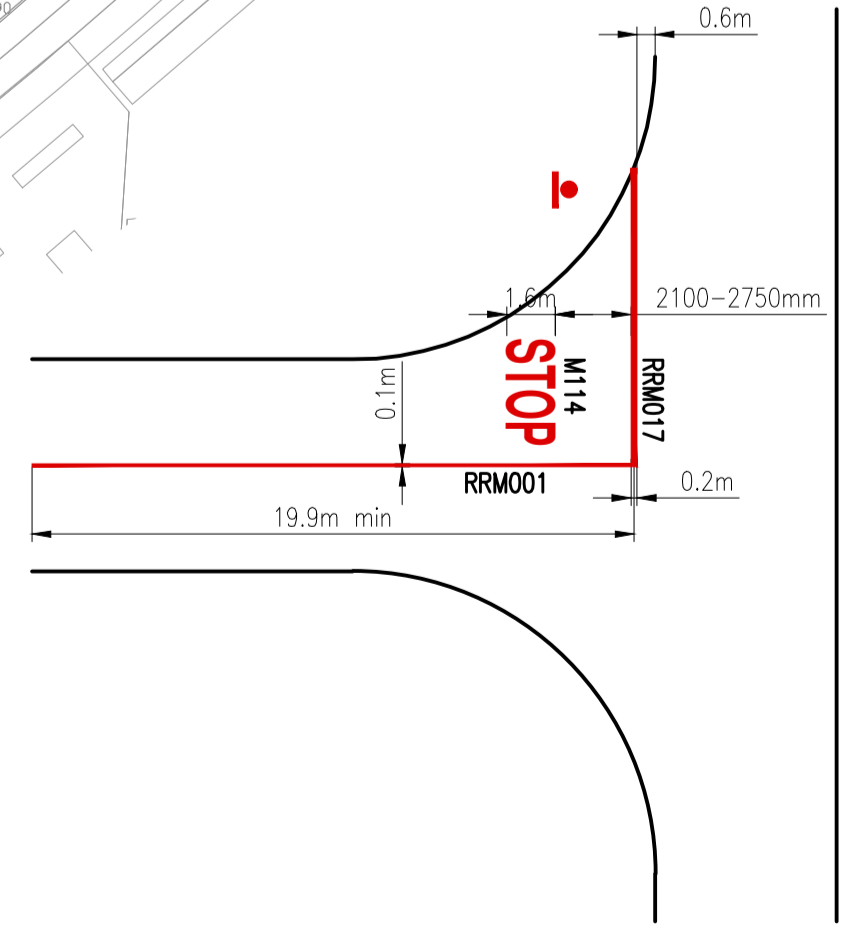
27/01/23	PLANNING COMPLIANCE ISSUE	PW	JB
REV. DATE	AMENDMENT	DRN	APPD

STATUS **FOR PLANNING ONLY
NOT FOR CONSTRUCTION**

Waterman Moylan
Engineering Consultants
BLOCK 8, EASTPOINT BUSINESS PARK, ALFIE BYRNE ROAD,
DUBLIN D03 H3F4 IRELAND. Tel: (01) 664 8900
Email: info@waterman-moylan.ie www.waterman-moylan.ie

CLIENT	QUINTAIN DEVELOPMENTS IRELAND Ltd.
ARCHITECT	MOLA ARCHITECTS
PROJECT	TANDY'S LANE VILLAGE - PHASE 2 - SITE 1
TITLE	GENERAL ARRANGEMENT & ROAD LEVELS

DRAWN	DESIGNED	APPROVED	DATE
PW	JB	IW	JAN. 2023
SCALE	JOB NO.	DRG. NO.	REVISION
1:500 @A1	21-058	P100	-



- NOTE:
- ALL DIMENSIONS IN METERS UNLESS STATED OTHERWISE.
 - ALL POSTS TO BE GALVANIZED MILD STEEL TO B.S. 729.
 - ENSURE THAT TOP OF POLE DOES NOT EXTEND ABOVE TOP OF SIGN.
 - CHECK THE UNDERGROUND SERVICES AT AN EARLY STAGE (AND ACCOMMODATE AS MAY BE NECESSARY).

Fig 7.35 PRIORITY CONTROLLED STOP JUNCTION