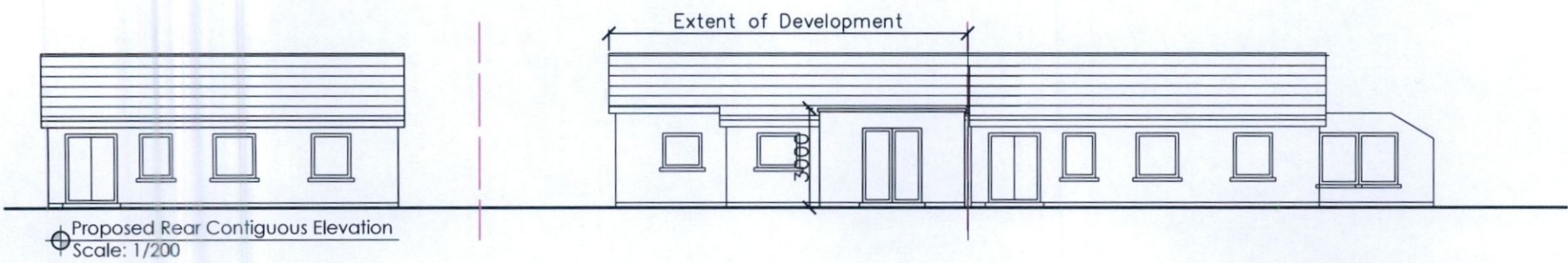
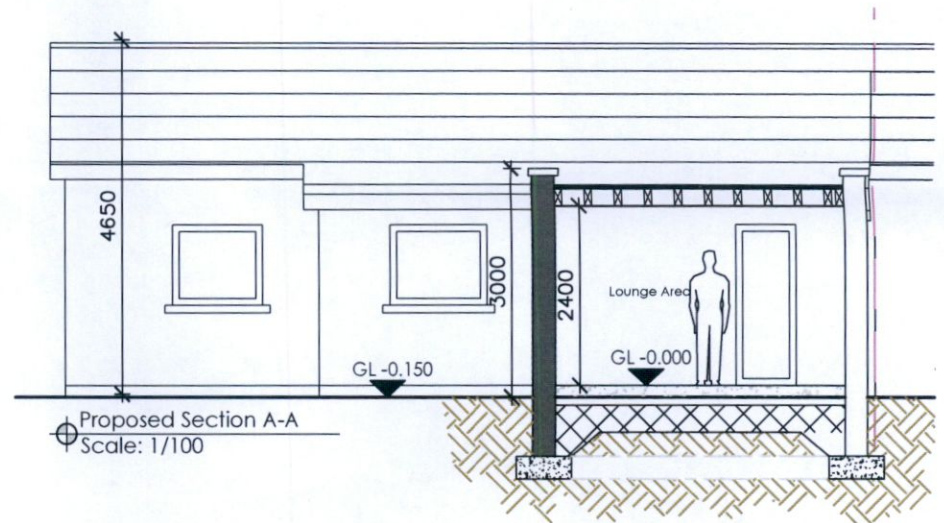
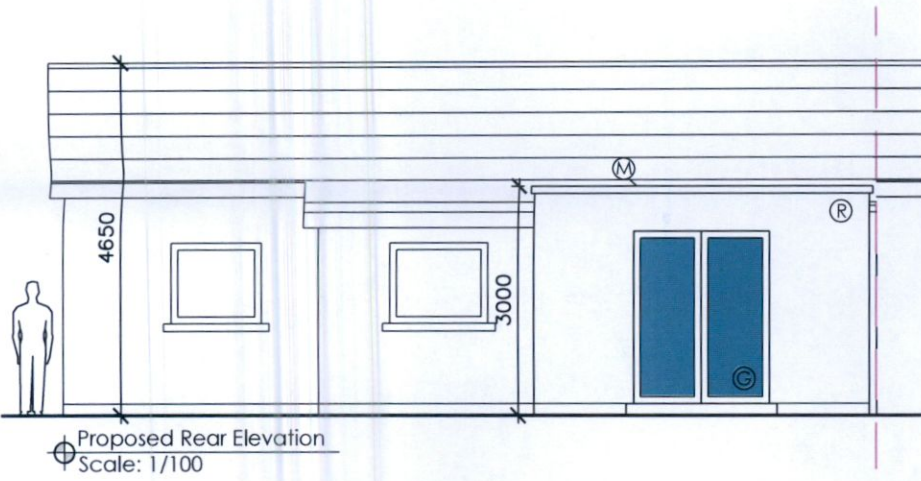
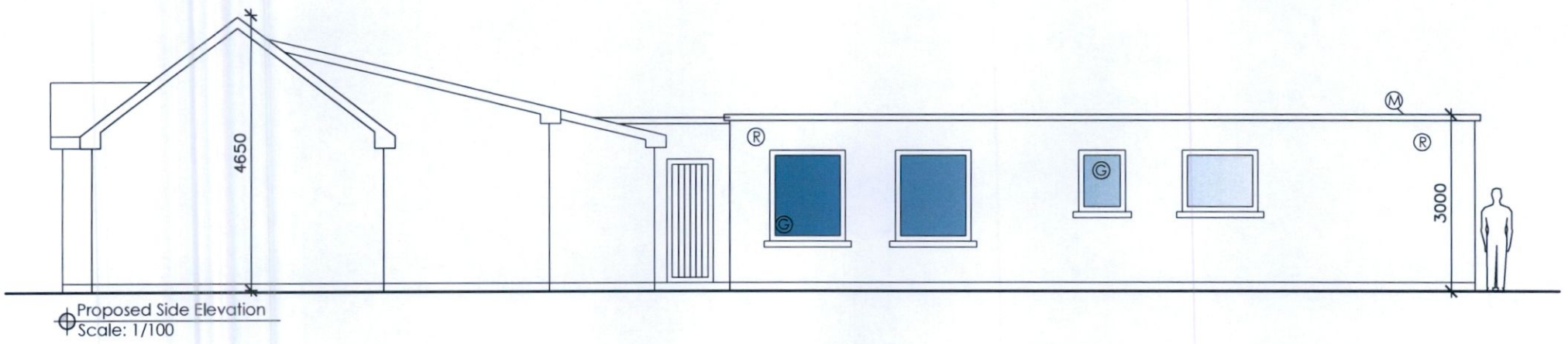
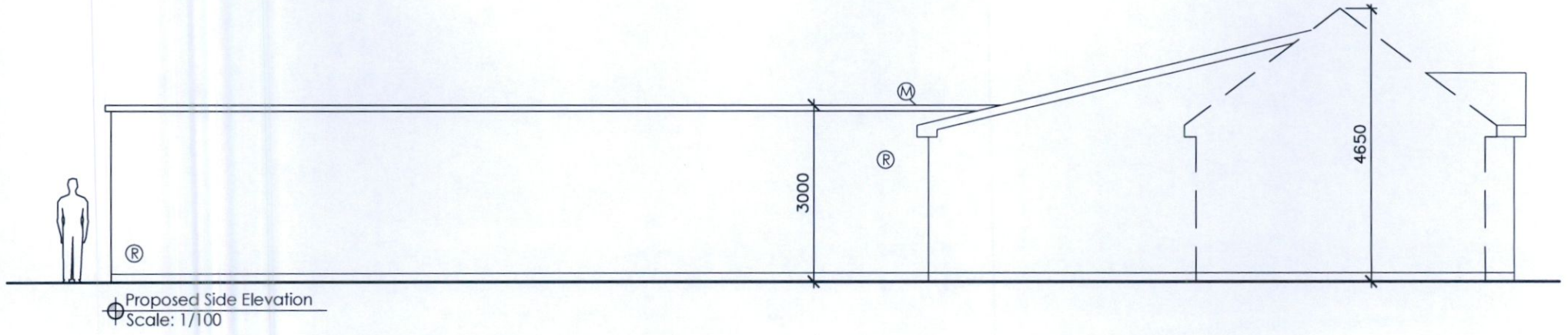
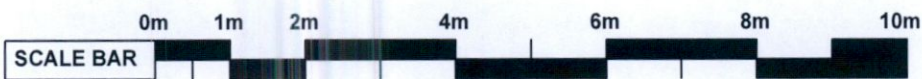


All Drawings are to be read in Conjunction with Tender Spec. and along with Engineers Detail and Spec. All sizes to be checked on Site by Contractor, All Building to be carried out to current BUILDING REGULATIONS



- T - New Tiles to match existing
- G - New Glazing to match existing
- V - New Velux Rooflights
- R - Render to match existing
- P - Concrete Parapet Area
- M - Metal Clad Finish



further info only