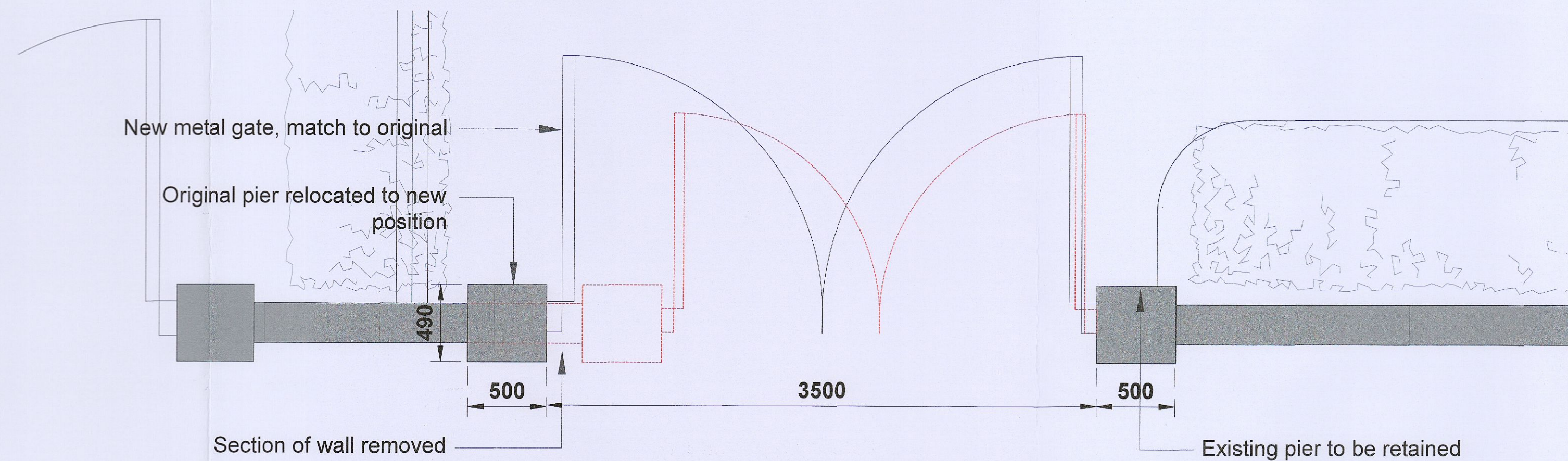
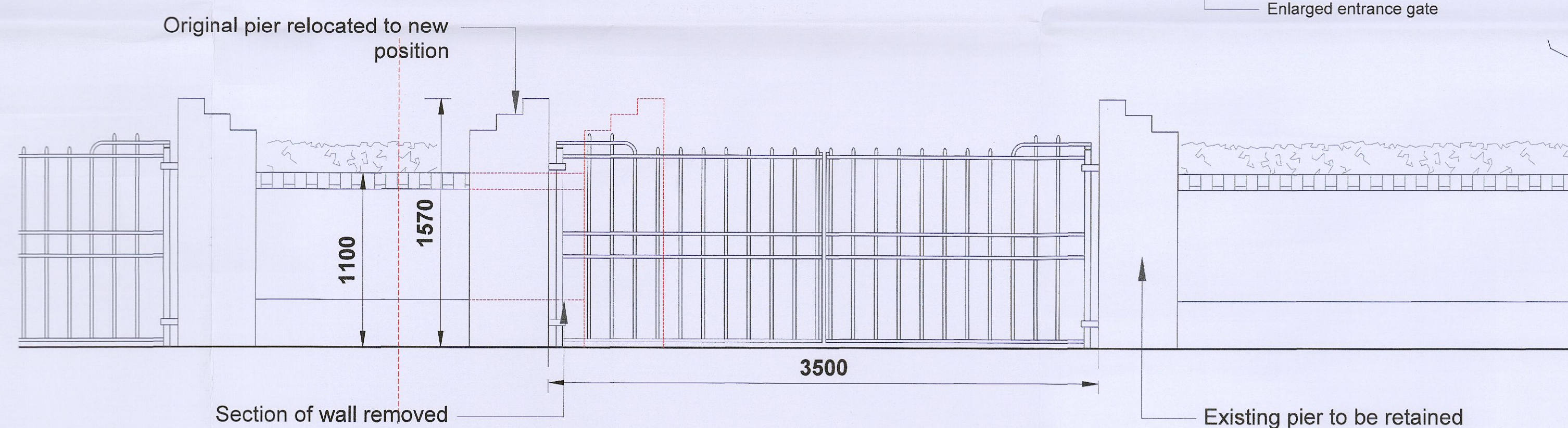


NOTE:  
 1. No Dimensions to be scaled from this drawing.  
 2. All dimensions to be checked on site.  
 3. This drawing to be read in conjunction with relevant consultants drawings.



Proposed Street Elevation  
 Scale 1:50 @ A1



KEY  
 - Site current application relates to outlined in red  
 - Original structure to be retained (walls)  
 - Demolitions

Proposed Entrance gate  
 Scale 1:25 @ A1

REV.	DATE	DESCRIPTION	DRAWN	REV.	DATE	DESCRIPTION	DRAWN	REV.	DATE	DESCRIPTION	DRAWN
B	18.01.23	FF Extension Roof height updated									

0m 5m 10m

PROPOSED FRONT GATE ELEVATION

Project: Proposed Alterations & Refurbishment  
 50 Crannagh Road

Drawing no: PL - 200

Scale: as shown Date: Dec'22 Size: A1

Client: NOONAN MORAN ARCHITECTURE

108 Baggot Street Lower  
 Dublin 2, Ireland  
 T +353 (0)1 452 87 00  
 E info@noonanmoran.ie  
 www.noonanmoran.ie