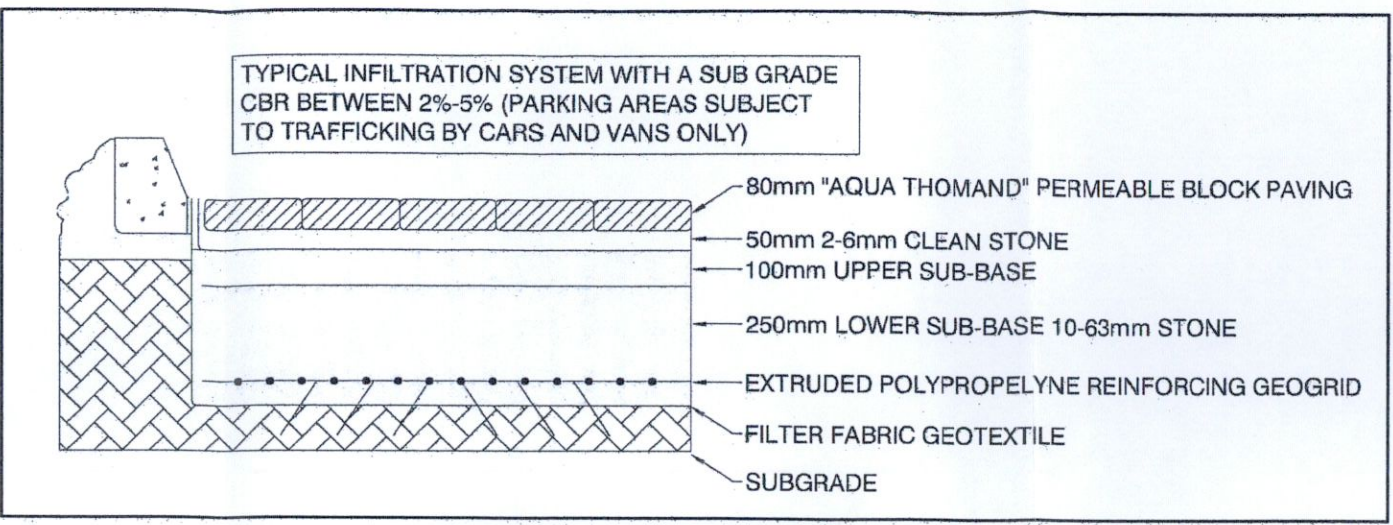


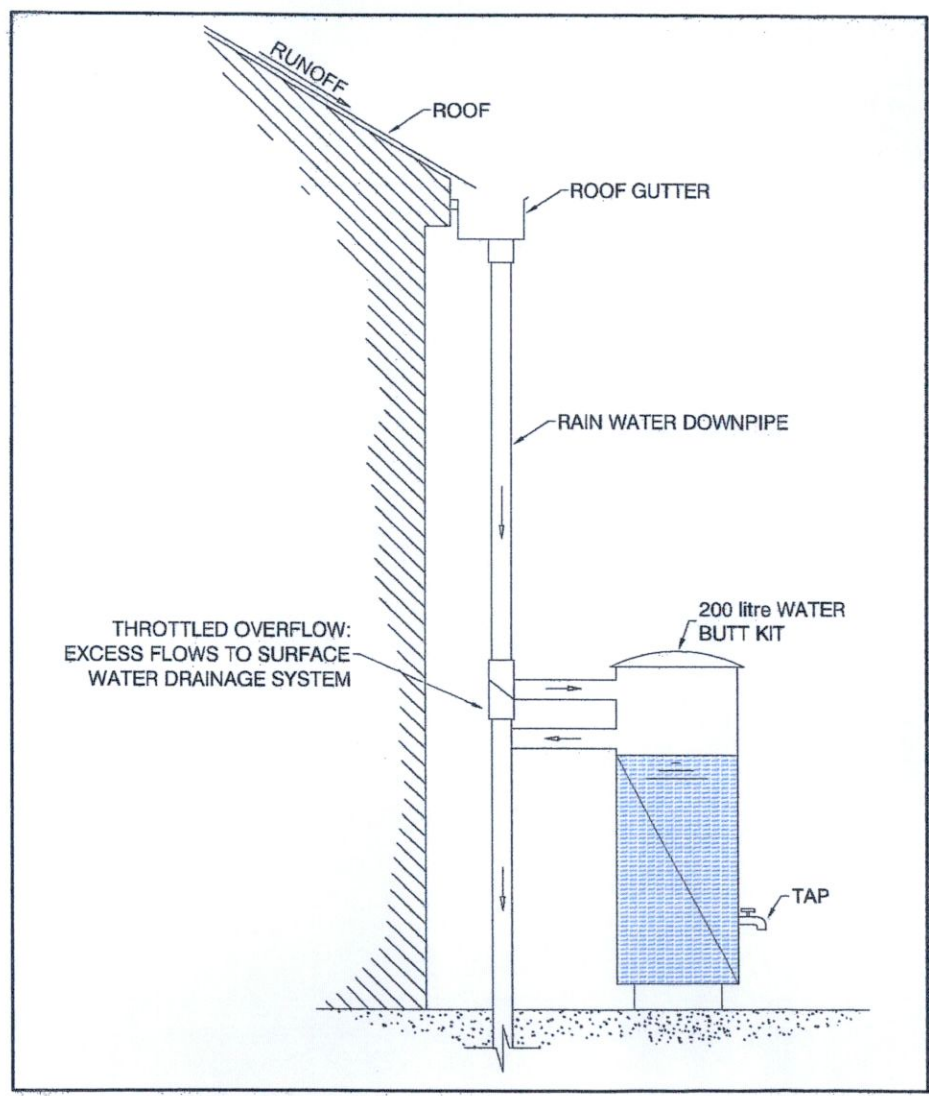


LEGEND:

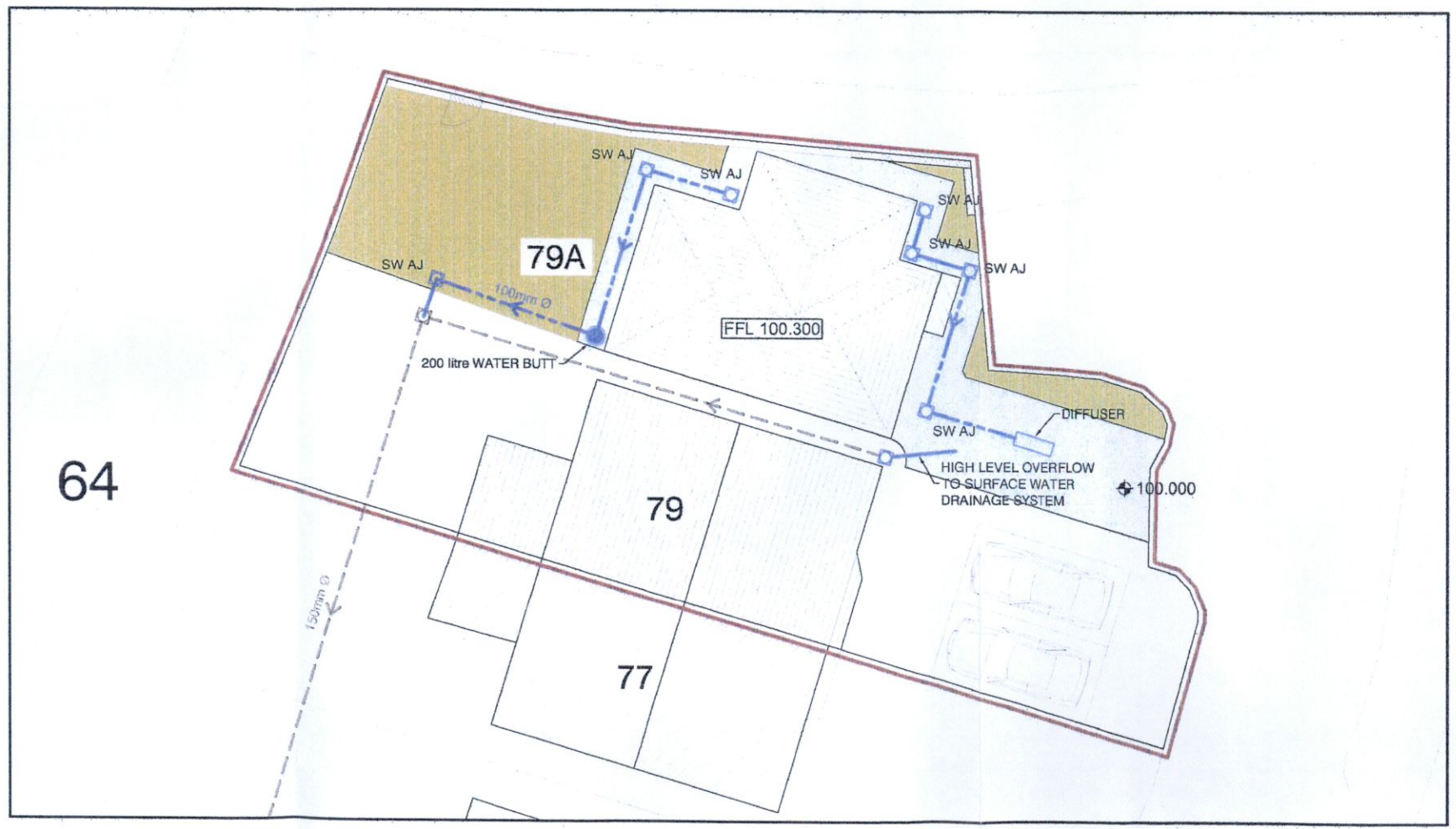
	SITE BOUNDARY
18.700 ↕	PROPOSED FINISHED ROAD/PATH LEVEL
	PROPOSED FINISHED FLOOR LEVEL
	EXISTING SURFACE WATER SEWER
	EXISTING SURFACE WATER AJ
	PROPOSED SURFACE WATER SEWER
	PROPOSED SURFACE WATER AJ
	PROPOSED 200 LITRE WATER BUTT
	PROPOSED DIFFUSER BOX
	PERMEABLE PAVING
	LANDSCAPED AREA



PERMEABLE PAVING DETAIL
Scale 1:20



WATER BUTT DETAIL
Scale NTS



SITE LAYOUT PLAN
Scale 1:200

ISSUED FOR

FURTHER INFORMATION

© COPYRIGHT WYNNE CIVIL ENGINEERING LTD.

NOTES

1. ALL WORKS TO COMPLY WITH THE GREATER DUBLIN REGIONAL CODE OF PRACTICE FOR DRAINAGE WORKS.

REV	DATE	DESCRIPTION

PROJECT

GER & GILLIAN FOX
79 Moy Glass Chase, Lucan, Co. Dublin,
K78 Y962.

Wynne Civil Engineering Ltd.
"Prague", Greenhills, Kill, Co. Kildare
Tel: 086-2735148 Fax: 01-4016882
E-mail: eoin@wynneconsulting.ie

TITLE

SITE LAYOUT PLAN
Proposed Surface Water Layout

SCALE

As Shown

DATE

Jan 2023

DRAWING NO.

600

JOB NO.

REV 0

ARCHITECT

James Bryan