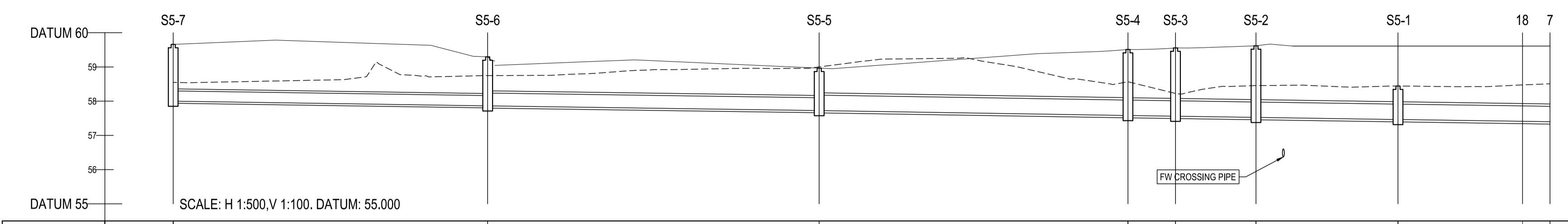


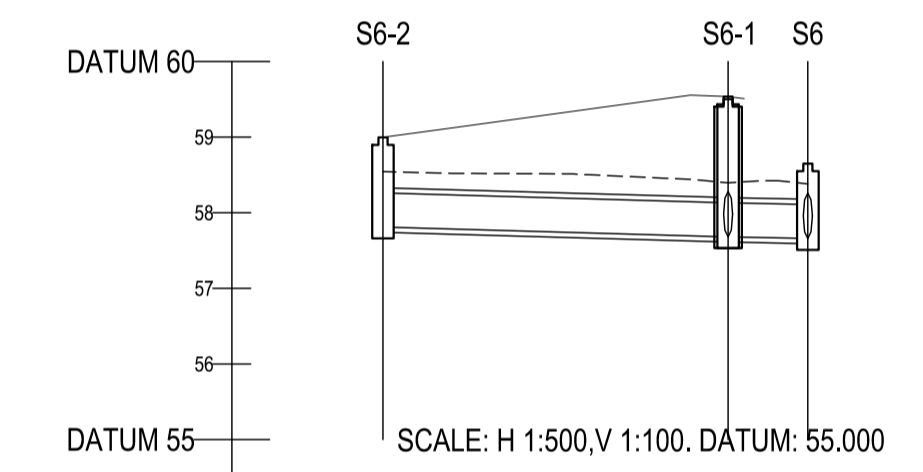
© COPYRIGHT OF THIS DRAWING IS RESERVED BY DBFL CONSULTING ENGINEERS. NO PART SHALL BE REPRODUCED OR TRANSMITTED WITHOUT THEIR WRITTEN PERMISSION.  
 NO CHANGES OF WHATSOEVER NATURE ARE TO BE MADE TO ANY DETAILS SET OUT OR CONTAINED IN ANY DBFL SPECIFICATIONS OR DRAWINGS UNLESS THE EXPRESS CONSENT HAS BEEN OBTAINED IN ADVANCE, IN WRITING, FROM DBFL.

- NOTES:
- ALL DRAWINGS TO BE CHECKED BY CONTRACTOR ON SITE AND ENGINEER INFORMED OF DISCREPANCIES BEFORE WORK COMMENCES
  - ALL LEVELS ARE IN METRES AND ARE RELATED TO ORDNANCE DATUM
  - CONTRACTOR SHALL SATISFY HIMSELF AS TO THE ACCURACY OF PAVEMENT LEVELS ON SITE PRIOR TO COMMENCEMENT OF WORKS ON SITE
  - ALL WORKS TO BE CONSTRUCTED IN ACCORDANCE WITH THE NRA SPECIFICATION FOR ROAD WORKS UNLESS NOTED OTHERWISE
  - THIS DRAWING IS FOR PLANNING PURPOSES ONLY
  - MANHOLE COVER LEVELS ARE TO CONFORM WITH FINISHED ROAD AND PATH LEVELS
  - WHERE COVER TO PIPE IS LESS THAN 1200mm (ROAD/PATH/VERGE) OR 900mm (OPEN SPACE) SURROUND PIPE IN MINIMUM 150mm CONCRETE

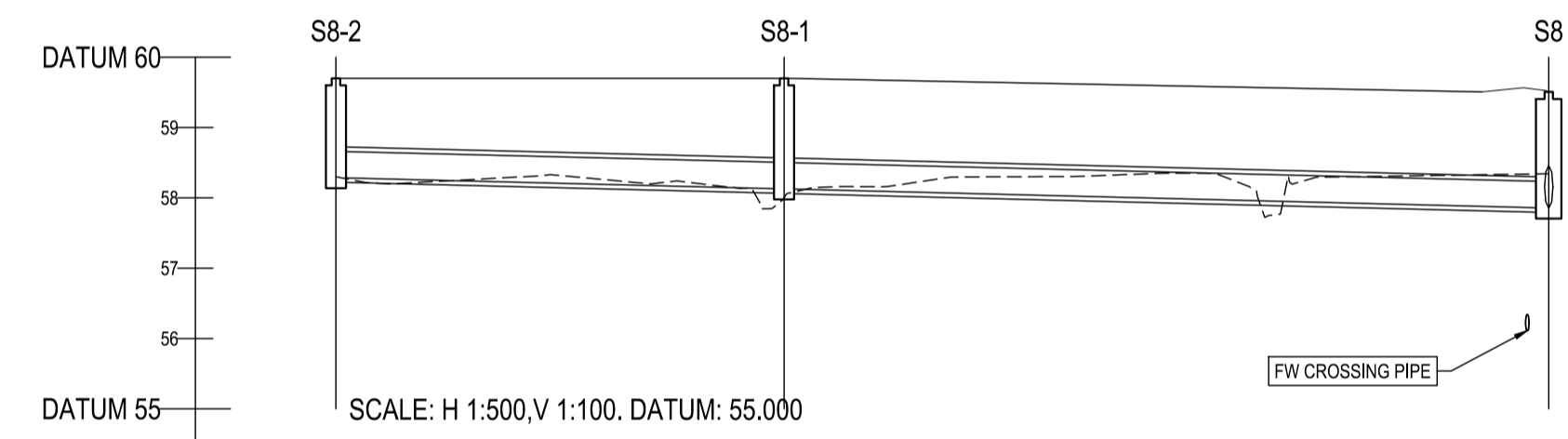


	S5-7	S5-6	S5-5	S5-4	S5-3	S5-2	S5-1	18	7
COVER LEVEL	58.660	59.296	58.996	59.512	59.556	58.816	58.443		58.130
INVERT LEVEL	58.000	57.863	57.726	57.592	57.581	57.526	57.464		57.399
DEPTH (m)	1.660	1.433	1.240	1.920	1.995	2.032	0.979		1.110
DISTANCE (m)		45.98		48.48		20.77			4.03
PIPE SLOPE		1.336		1.354		1.335			1.310
PIPE SIZE		300mm		375mm		450mm			450mm

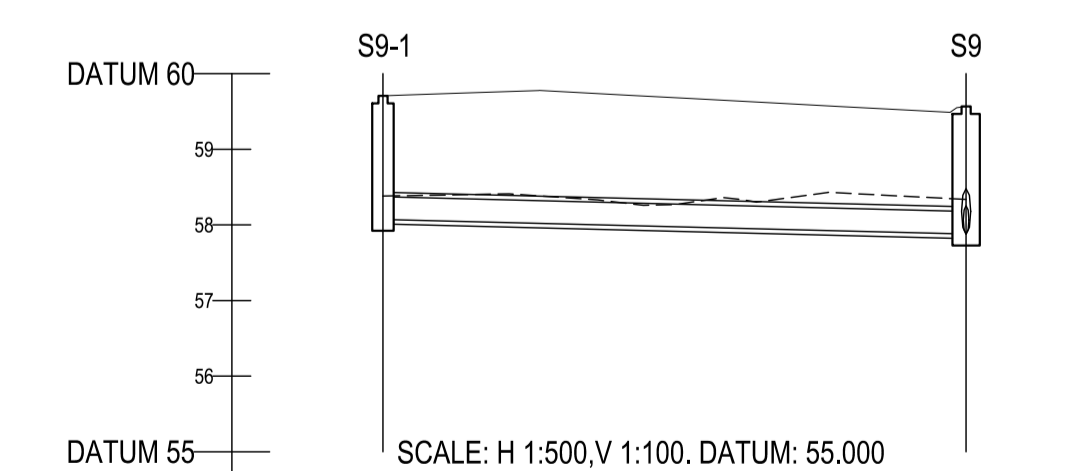
KEY  
 - - - - - EXISTING GROUND PROFILE  
 ——— PROPOSED GROUND PROFILE



	S6-2	S6-1	S6
COVER LEVEL	58.997	58.935	58.650
INVERT LEVEL	57.811	57.891	57.659
DEPTH (m)	1.186	1.044	0.991
DISTANCE (m)		22.82	5.28
PIPE SLOPE		1.176	-1.240
PIPE SIZE		450mm	450mm



	S8-2	S8-1	S8
COVER LEVEL	59.700	59.700	59.506
INVERT LEVEL	58.267	58.128	57.856
DEPTH (m)	1.413	1.572	1.650
DISTANCE (m)		31.87	54.38
PIPE SLOPE		1.200	1.200
PIPE SIZE		375mm	375mm



	S9-1	S9
COVER LEVEL	58.707	58.567
INVERT LEVEL	58.072	57.879
DEPTH (m)	1.635	1.688
DISTANCE (m)		38.57
PIPE SLOPE		1.200
PIPE SIZE		300mm

rev	date	description	by	chkd.
0	13-12-22	ISSUED FOR PLANNING	RMC	DCB

STATUS CODES  
 purpose acceptance  
 P3 - PLANNING PERMISSION S - ISSUED

**DBFL Consulting Engineers**  
 Civil, Structural & Transportation Engineering  
 www.dbfl.ie

DUBLIN OFFICE: Ormond House, Upper Ormond Quay, Dublin 7, D07 W704  
 PHONE +353 1 454 4000  
 CORK OFFICE: 14 South Mall, Cork, T12 CT91  
 PHONE +353 21 2624538  
 WATERFORD OFFICE: 54a-5b The Arcade, Maritime Gate, Canada Street, Waterford, X91 W028  
 PHONE +353 51 309 560

project ref.  
**CLONBURRIS T2**

drawing title  
**LONGITUDINAL SECTIONS THROUGH STORM WATER SEWERS - SHEET 2**

client  
**CAIRN HOMES**

designed by	author	scale	sheet size
DCB	RMC	AS SHOWN	A1

drawing no.	revision
CLB-1B-94-SW-DTM-DR-DBFL-CE-3004	0