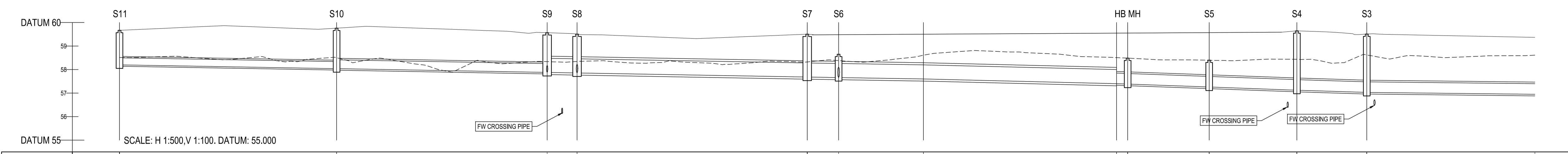


© COPYRIGHT OF THIS DRAWING IS RESERVED BY DBFL CONSULTING ENGINEERS. NO PART SHALL BE REPRODUCED OR TRANSMITTED WITHOUT THEIR WRITTEN PERMISSION.

NO CHANGES OF WHATSOEVER NATURE ARE TO BE MADE TO ANY DETAILS SET OUT OR CONTAINED IN ANY DBFL SPECIFICATIONS OR DRAWINGS UNLESS THE EXPRESS CONSENT HAS BEEN OBTAINED IN ADVANCE, IN WRITING, FROM DBFL.

NOTES:

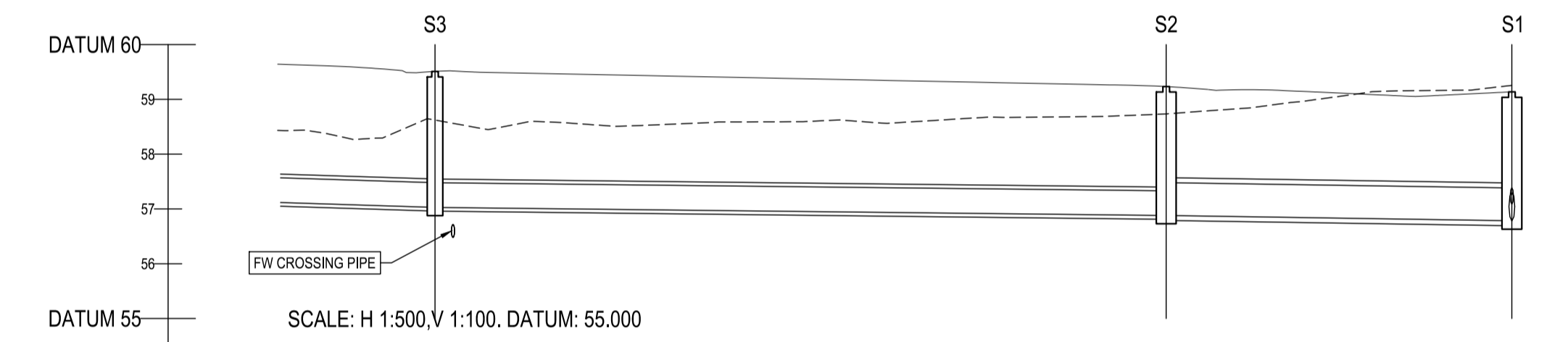
1. ALL DRAWINGS TO BE CHECKED BY CONTRACTOR ON SITE AND ENGINEER INFORMED OF DISCREPANCIES BEFORE WORK COMMENCES
2. ALL LEVELS ARE IN METRES AND ARE RELATED TO ORDNANCE DATUM
3. CONTRACTOR SHALL SATISFY HIMSELF AS TO THE ACCURACY OF PAVEMENT LEVELS ON SITE PRIOR TO COMMENCEMENT OF WORKS ON SITE
4. ALL WORKS TO BE CONSTRUCTED IN ACCORDANCE WITH THE NRA SPECIFICATION FOR ROAD WORKS UNLESS NOTED OTHERWISE
5. THIS DRAWING IS FOR PLANNING PURPOSES ONLY
6. MANHOLE COVER LEVELS ARE TO CONFORM WITH FINISHED ROAD AND PATH LEVELS
7. WHERE COVER TO PIPE IS LESS THAN 1200mm (ROAD/PATH/VERGE) OR 900mm (OPEN SPACE) SURROUND PIPE IN MINIMUM 150mm CONCRETE.



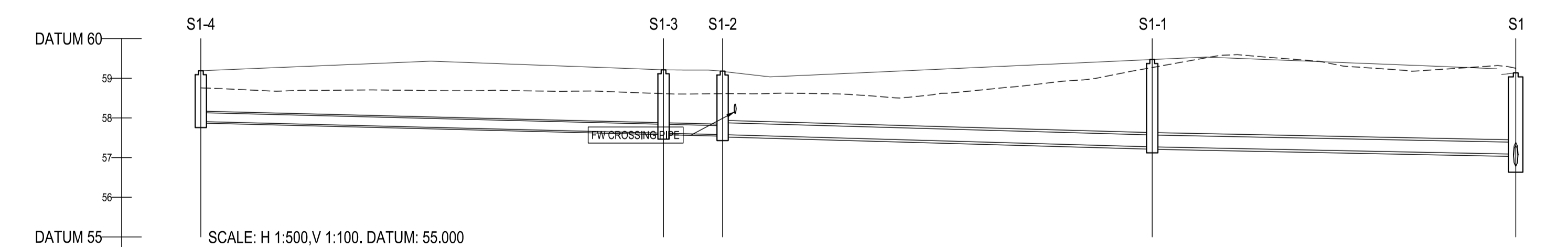
COVER LEVEL	59.668	59.759	59.597	59.506	59.503	59.650	59.330	59.130	59.485	59.399	59.645	59.509	59.680
INVERT LEVEL	58.200	58.039	57.876	57.856	57.681	57.659	57.600	57.400	57.400	57.238	57.112	57.028	56.890
DEPTH (m)	1.468	1.720	1.889	1.650	1.822	0.991	0.991	1.110	1.102	1.141	2.523	2.481	56.890
DISTANCE (m)		46.01	44.62	6.34	48.79	6.65	17.98	40.94	2.34	17.28	18.59	14.81	66.71
PIPE SLOPE		1.286	1.277	1.276	1.279	1.304	1.304	1.205	1.138	1.138	1.137	1.158	1.451
PIPE SIZE		300mm	375mm	600mm	600mm	600mm	600mm	600mm	450mm	450mm	450mm	450mm	450mm

KEY

- EXISTING GROUND PROFILE
- PROPOSED GROUND PROFILE



COVER LEVEL	59.112	59.459	59.234	59.137
INVERT LEVEL	57.112	57.028	56.890	56.763
DEPTH (m)	2.481	2.431	2.354	2.376
DISTANCE (m)	14.81	66.71	31.54	
PIPE SLOPE	1.158	1.451	1.325	
PIPE SIZE	450mm	450mm	600mm	



COVER LEVEL	59.191	59.214	59.191	59.473	59.137
INVERT LEVEL	57.936	57.616	57.579	57.270	57.087
DEPTH (m)	1.255	1.598	1.612	2.203	2.350
DISTANCE (m)	58.35	7.45	54.18	45.85	
PIPE SLOPE	1.200	1.200	1.175	1.250	
PIPE SIZE	225mm	225mm	300mm	300mm	

rev	date	description	by	chkd.
0	13-12-22	ISSUED FOR PLANNING	RMC	DCB

purpose: P3 - PLANNING PERMISSION acceptance: S - ISSUED



DUBLIN OFFICE: Ormond House, Upper Ormond Quay, Dublin 7, D07 W704  
PHONE: +353 1 450 4000  
CORK OFFICE: 14 South Mall, Cork, T12 CT91  
PHONE: +353 21 2624538  
WATERFORD OFFICE: 50a-52 The Atrium, Maritime Gate, Canada Street, Waterford, X91 W028  
PHONE: +353 51 309 500

project ref: CLONBURRIS T2

drawing title: LONGITUDINAL SECTIONS THROUGH STORM WATER SEWERS - SHEET 1

client: CAIRN HOMES

designed by	author	scale	sheet size
DCB	RMC	AS SHOWN	A1
drawing no.	revision	CLB-1B-94-SW-DTM-DR-DBFL-CE-3003	0