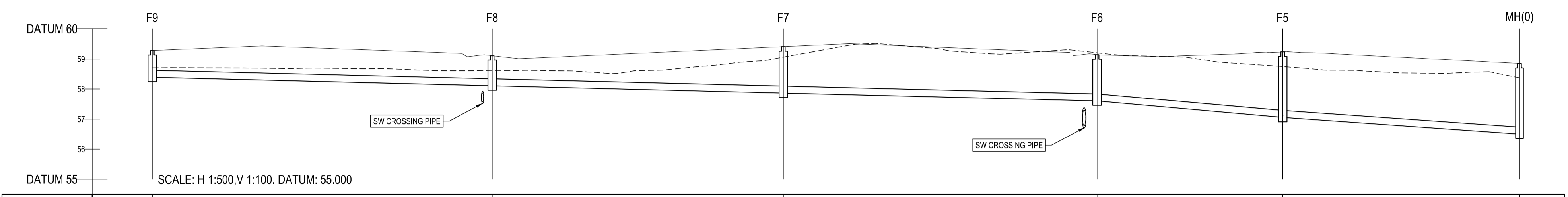


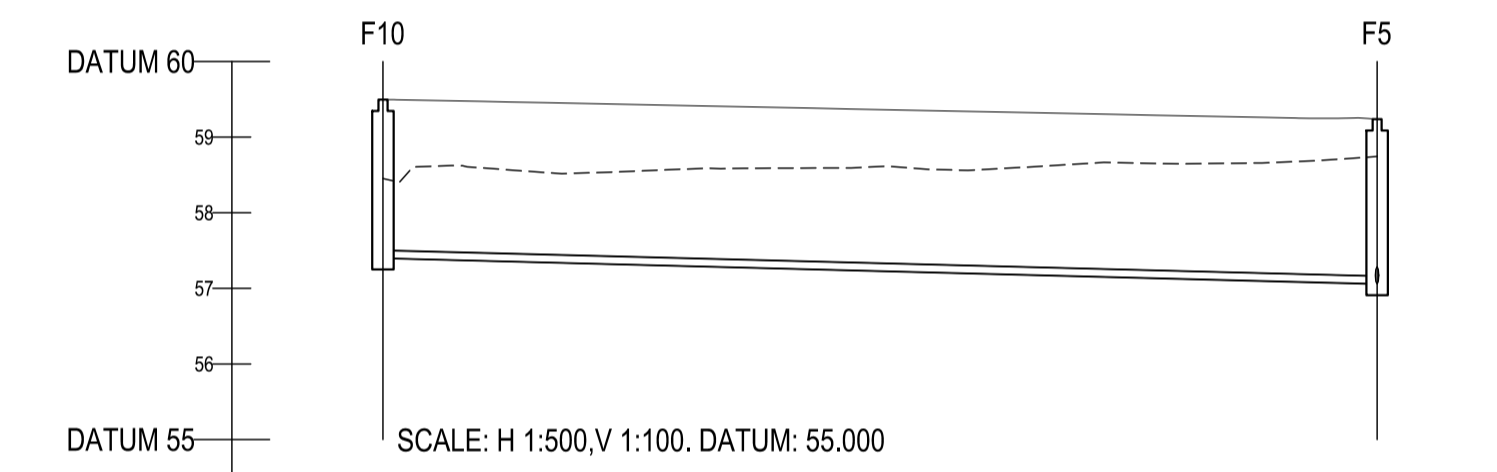
© COPYRIGHT OF THIS DRAWING IS RESERVED BY DBFL CONSULTING ENGINEERS. NO PART SHALL BE REPRODUCED OR TRANSMITTED WITHOUT THEIR WRITTEN PERMISSION.
 NO CHANGES OF WHATSOEVER NATURE ARE TO BE MADE TO ANY DETAILS SET OUT OR CONTAINED IN ANY DBFL SPECIFICATIONS OR DRAWINGS UNLESS THE EXPRESS CONSENT HAS BEEN OBTAINED IN ADVANCE, IN WRITING, FROM DBFL.

- NOTES:
1. ALL DRAWINGS TO BE CHECKED BY CONTRACTOR ON SITE AND ENGINEER INFORMED OF DISCREPANCIES BEFORE WORK COMMENCES
 2. ALL LEVELS ARE IN METRES AND ARE RELATED TO ORDNANCE DATUM
 3. CONTRACTOR SHALL SATISFY HIMSELF AS TO THE ACCURACY OF PAVEMENT LEVELS ON SITE PRIOR TO COMMENCEMENT OF WORKS ON SITE
 4. ALL WORKS TO BE CONSTRUCTED IN ACCORDANCE WITH THE NRA SPECIFICATION FOR ROAD WORKS UNLESS NOTED OTHERWISE
 5. THIS DRAWING IS FOR PLANNING PURPOSES ONLY
 6. MANHOLE COVER LEVELS ARE TO CONFORM WITH FINISHED ROAD AND PATH LEVELS
 7. WHERE COVER TO PIPE IS LESS THAN 1200mm (ROAD/PATH/VERGE) OR 900mm (OPEN SPACE) SURROUND PIPE IN MINIMUM 150mm CONCRETE.



COVER LEVEL		59.260		59.109		59.407		59.140		59.237		59.848
INVERT LEVEL		58.393		58.110 58.110		57.888 57.888		57.667 57.667		57.059 57.059		56.594
DEPTH (m)		0.867		0.968		1.539		1.533		2.178		2.344
DISTANCE (m)			56.53		48.42		52.18		30.88		39.38	
PIPE SLOPE			1:200		1:200		1:200		1:56		1:71	
PIPE SIZE			225mm		225mm		225mm		225mm		225mm	

KEY
 - - - - - EXISTING GROUND PROFILE
 _____ PROPOSED GROUND PROFILE



COVER LEVEL		59.887		59.237
INVERT LEVEL		57.400		57.059
DEPTH (m)		2.387		2.778
DISTANCE (m)			65.75	
PIPE SLOPE			1:193	
PIPE SIZE			100mm	

0	13-12-22	ISSUED FOR PLANNING	RMC	DCB
rev	date	description	by	chkd.

STATUS CODES
 purpose acceptance
 P3 - PLANNING PERMISSION S - ISSUED

DBFL Consulting Engineers
 Civil, Structural & Transportation Engineering
 www.dbfl.ie

DUBLIN OFFICE: Ormond House, Upper Ormond Quay, Dublin 7, D07 W704
 PHONE +353 1 454 4000
 CORK OFFICE: 14 South Mall, Cork, T12 CT91
 PHONE +353 21 2024538
 WATERFORD OFFICE: Sals Rd The Atrium, Maritime Gate, Canada Street, Waterford, X91 W028
 PHONE +353 51 309 560

project ref.
CLONBURRIS T2

drawing title
LONGITUDINAL SECTIONS THROUGH FOUL WATER SEWERS - SHEET 2

client
CAIRN HOMES

designed by	author	scale	sheet size
DCB	RMC	AS SHOWN	A1
drawing no.	revision		
CLB-1B-94-SW-DTM-DR-DBFL-CE-3002	0		