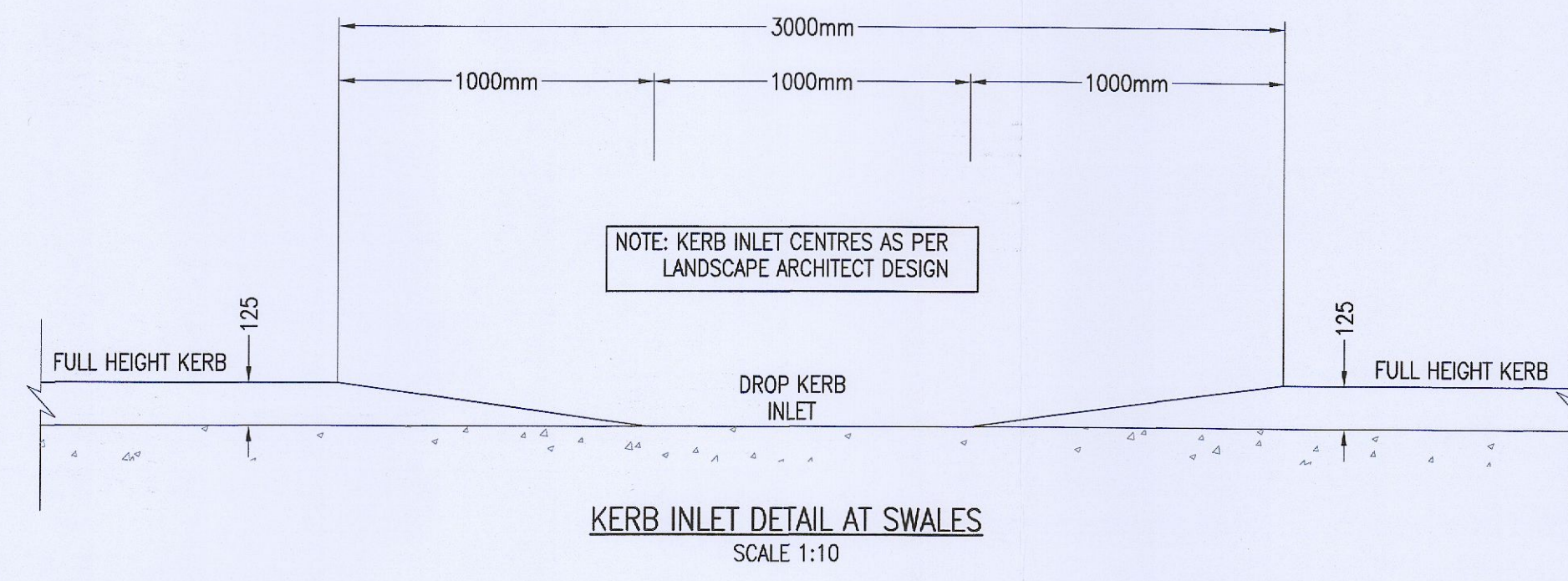
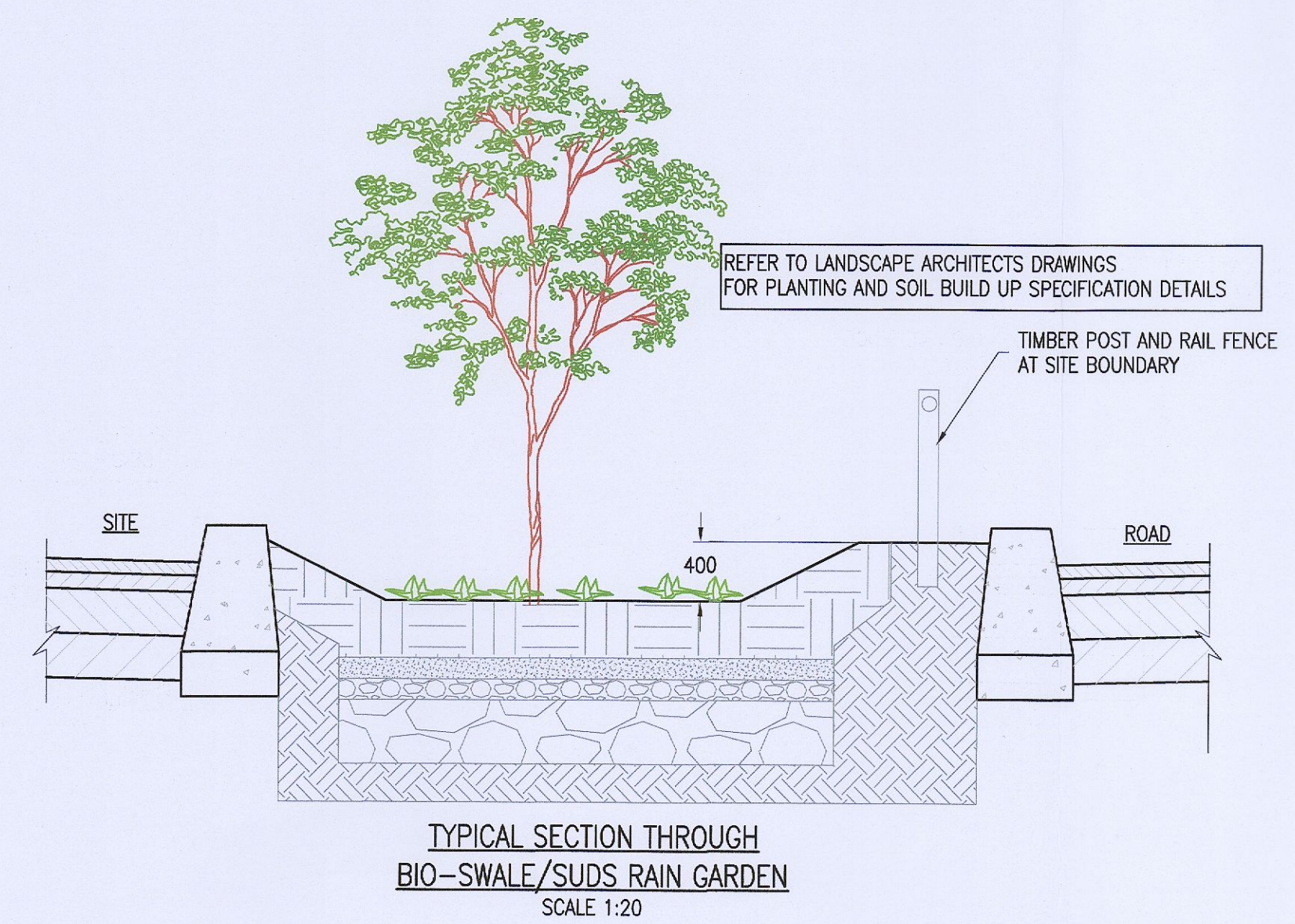
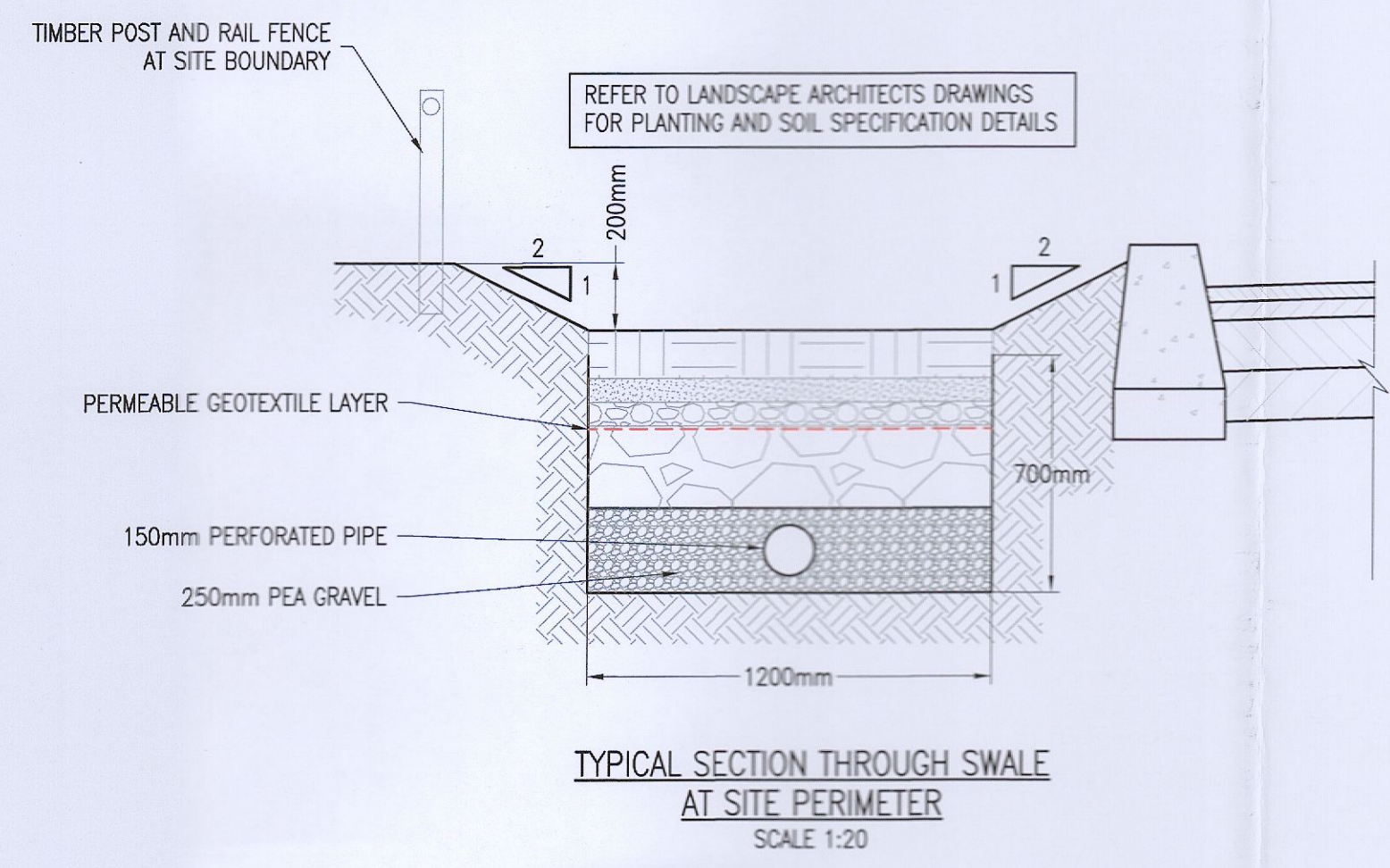
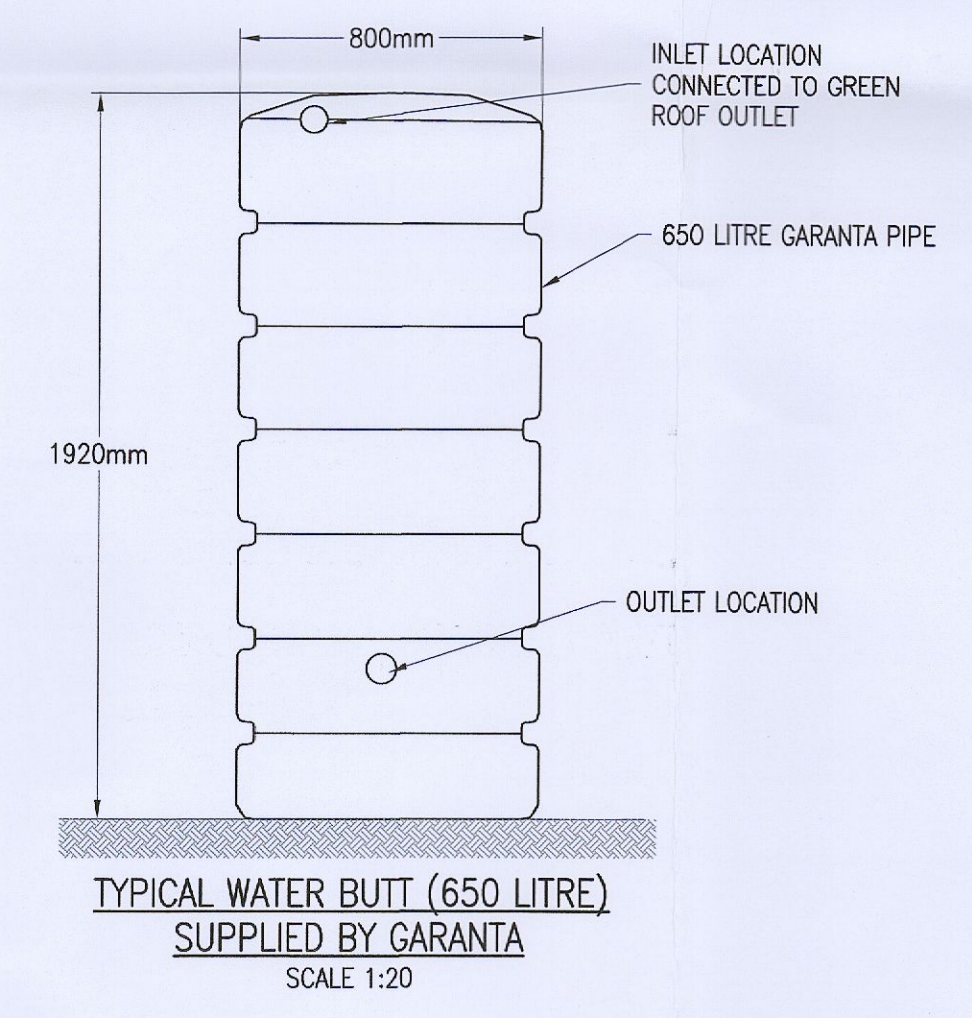
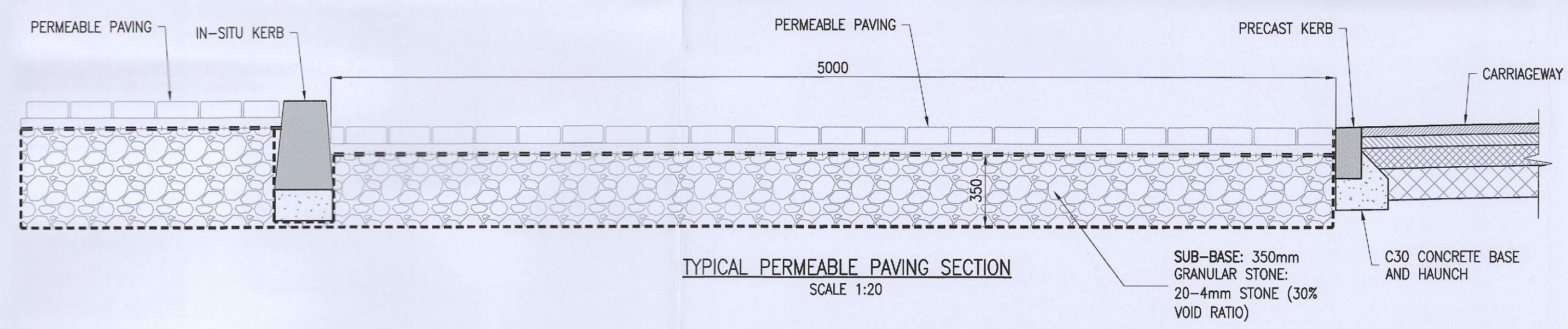
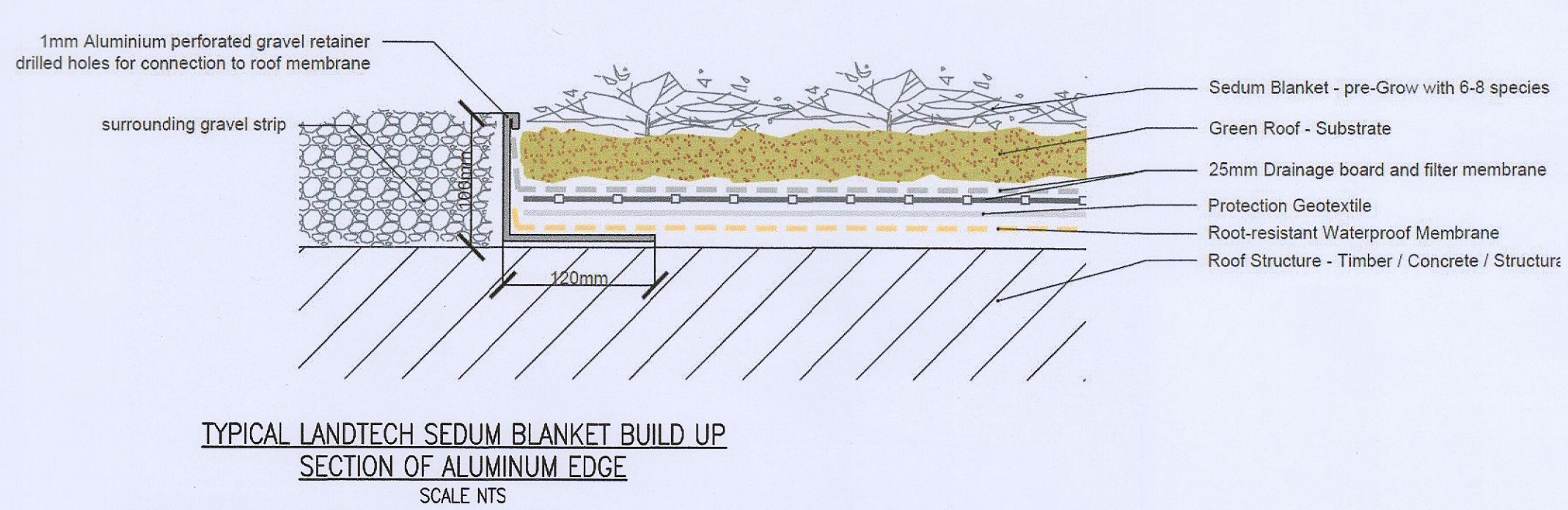
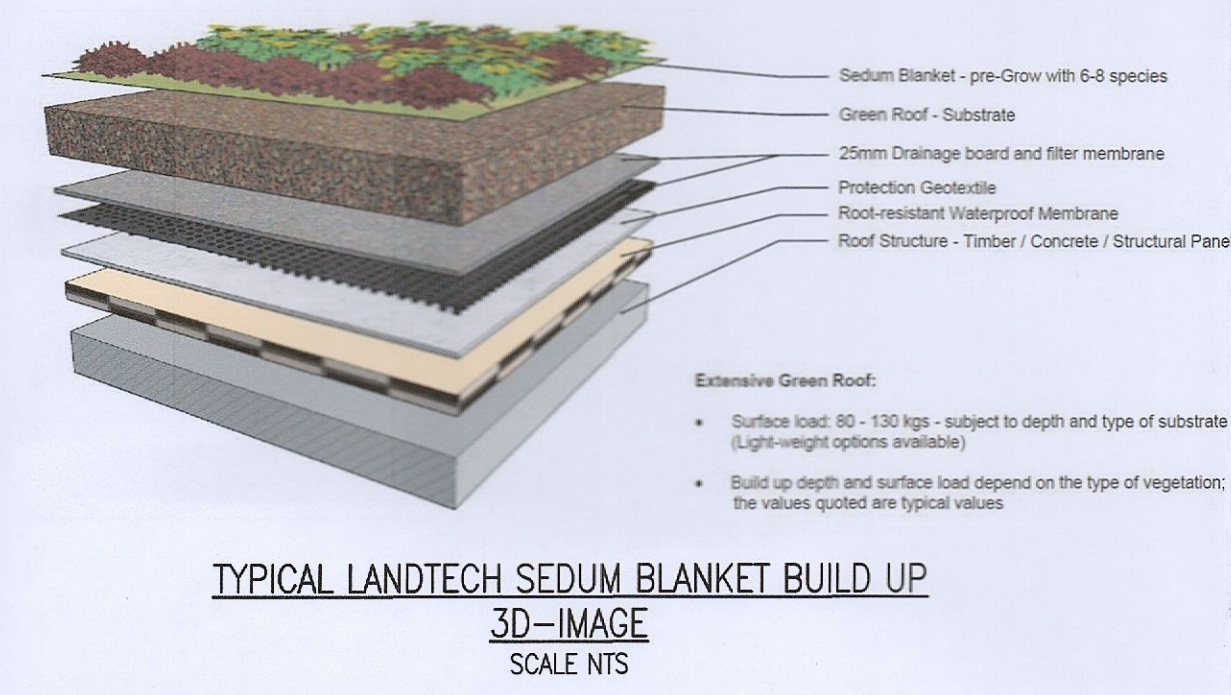
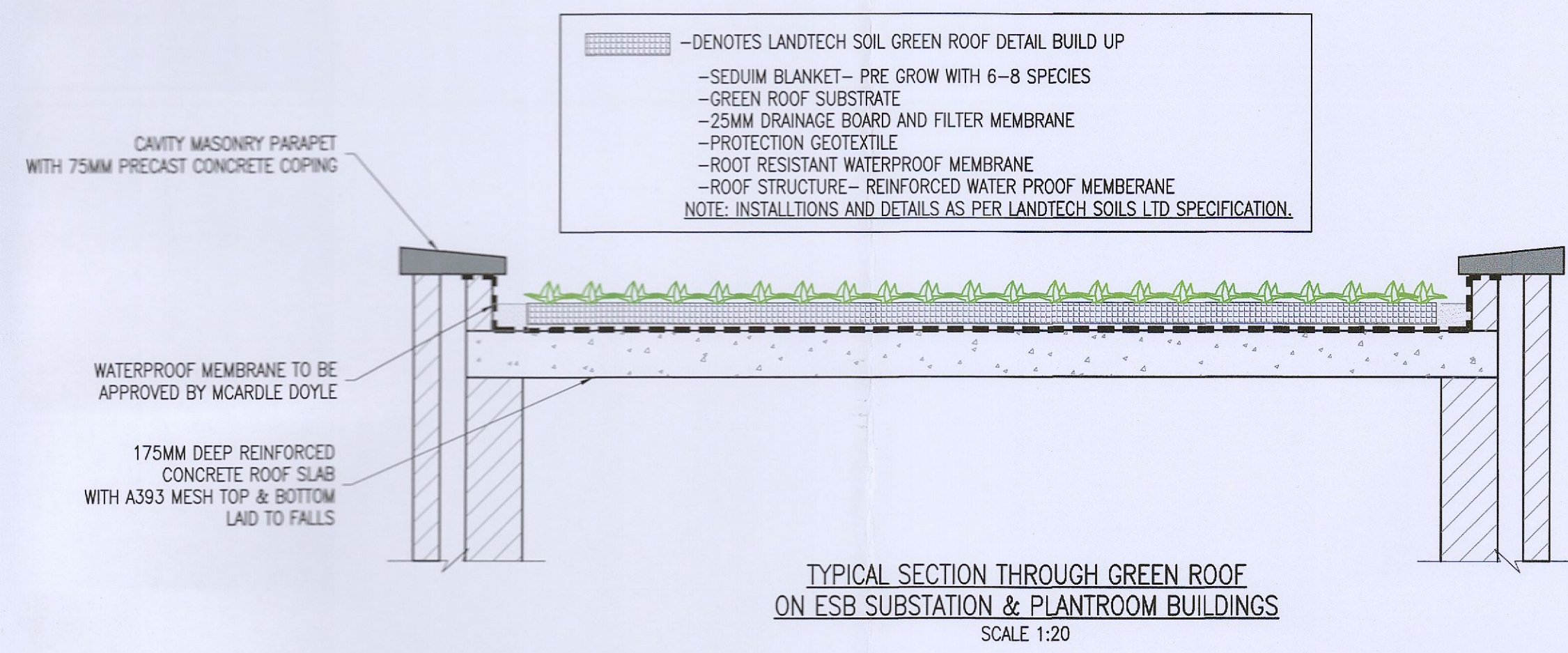


NOTES:
 THIS DRAWING IN WHOLE OR IN PART SHALL NOT BE COPIED WITHOUT THE PRIOR PERMISSION OF MCARDLE DOYLE LTD.
 ALL WORKS TO COMPLY WITH THE CURRENT BUILDING REGULATIONS.
 DO NOT SCALE.
 ORDNANCE SURVEY IRELAND LICENCE No. AR 0105723
 © ORDNANCE SURVEY IRELAND / GOVERNMENT OF IRELAND



ISSUED FOR PLANNING FI	GDR 20.01.23
Rev. Description	By Date

McArdle Doyle
 Second Floor Exchange Building The Long Walk Dundalk, Co. Louth
 Chartered Engineers Architectural Services & Project Managers
 mail@mcardedoyle.ie +353(0) 42 942 9052

PROJECT: UNMANNED SERVICE STATION, LIFFY VALLEY

CLIENT:

DRAWING TITLE: SUDS DRAINAGE DETAILS

Date	Drawn	Checked	Approved
20/01/23	GDR	RMA	RMA
Scale at A1	Drawing Number	Status	Rev.
1:125	P1956.C31	PL	-