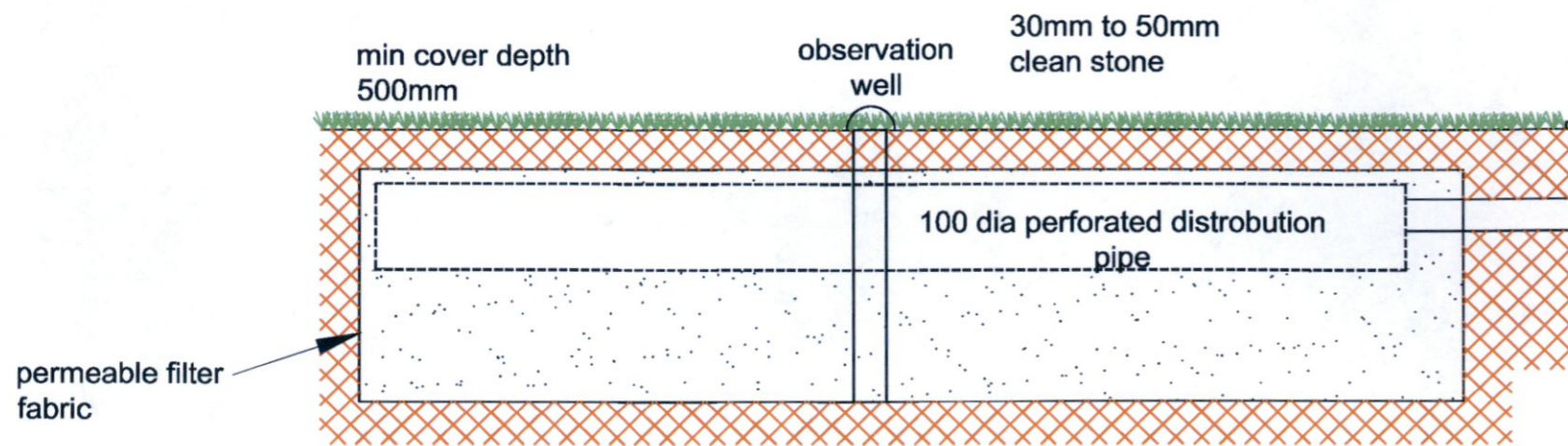


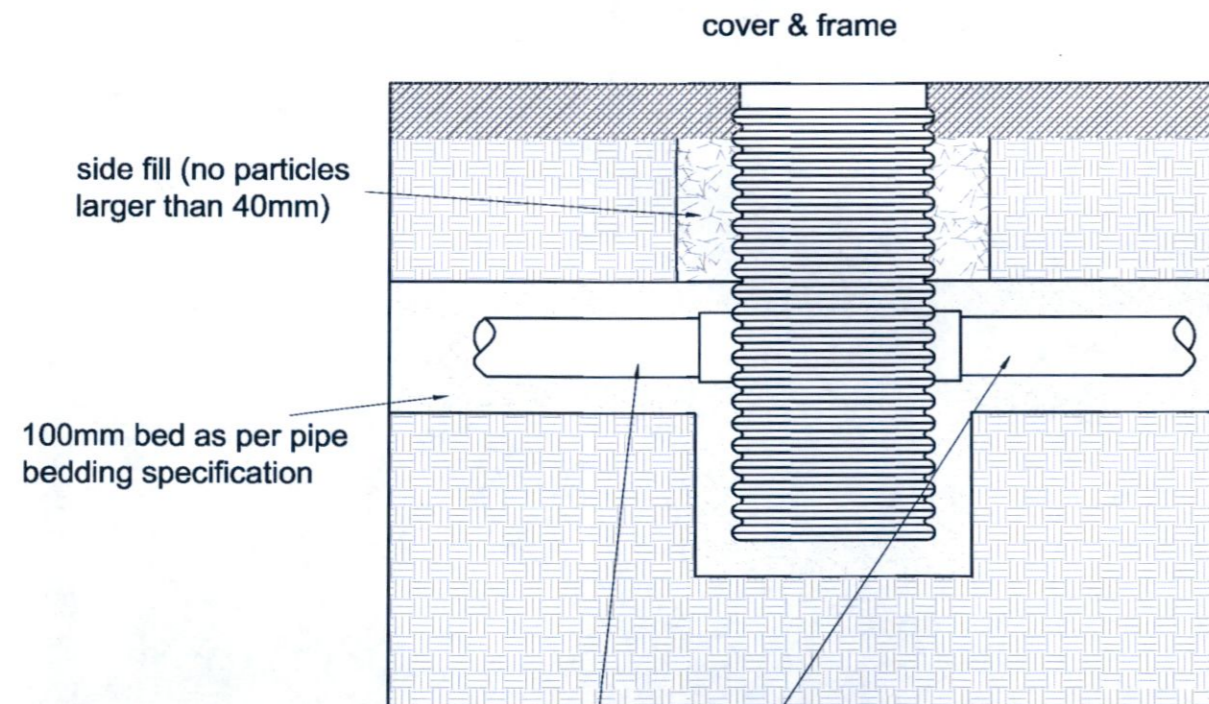
Notes:



1

SECTION THROUGH SOAKAWAY

Scale: 1:50





160mm osma drain inlet/outlet or use the appropriate adaptor to connect to the 110mm osma drain

2

SILT TRAP

Scale: 1:20

REV:	DESCRIPTION:	BY:	DATE:
STATUS: PLANNING STAGE			
 MTW Consultants Limited Consulting Civil and Structural Engineers Unit 4, MTW House, Broomfield Business Park, Malahide, Co. Dublin. T: (01) 8463505 E: info@mtw.ie			
CLIENT: Eoin and Nora Hickey			
PROJECT SITE: Rathree Esker Lane Lucan K78 X2C4			
DRAWING TITLE: Soakaway Details			
SCALE AT A3: 1:250	DATE: 6 December 2022	DRAWN: GF	CHECKED: BW
PROJECT NO: 3898	DRAWING NO: AI-605	REVISION: -	