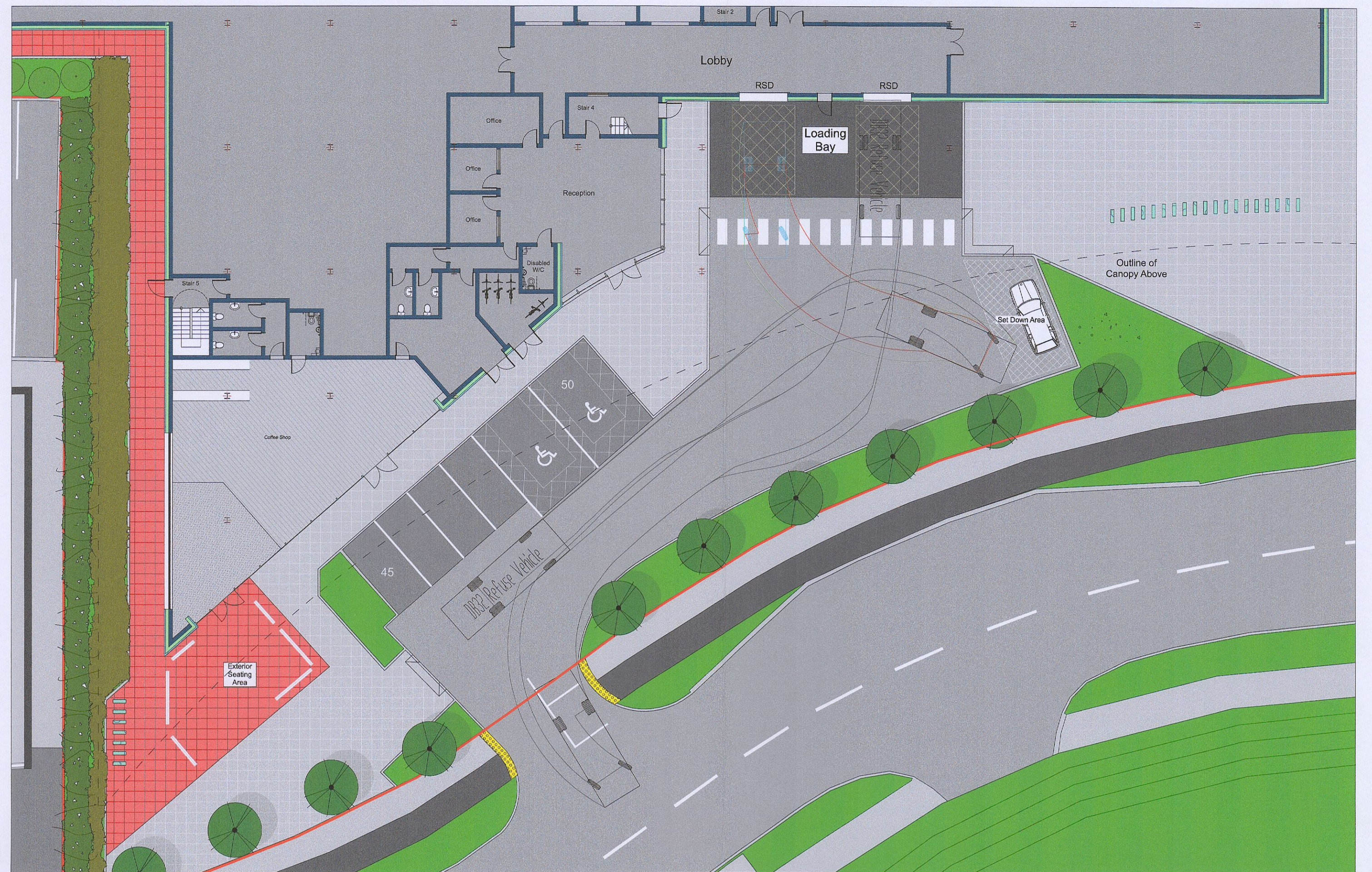
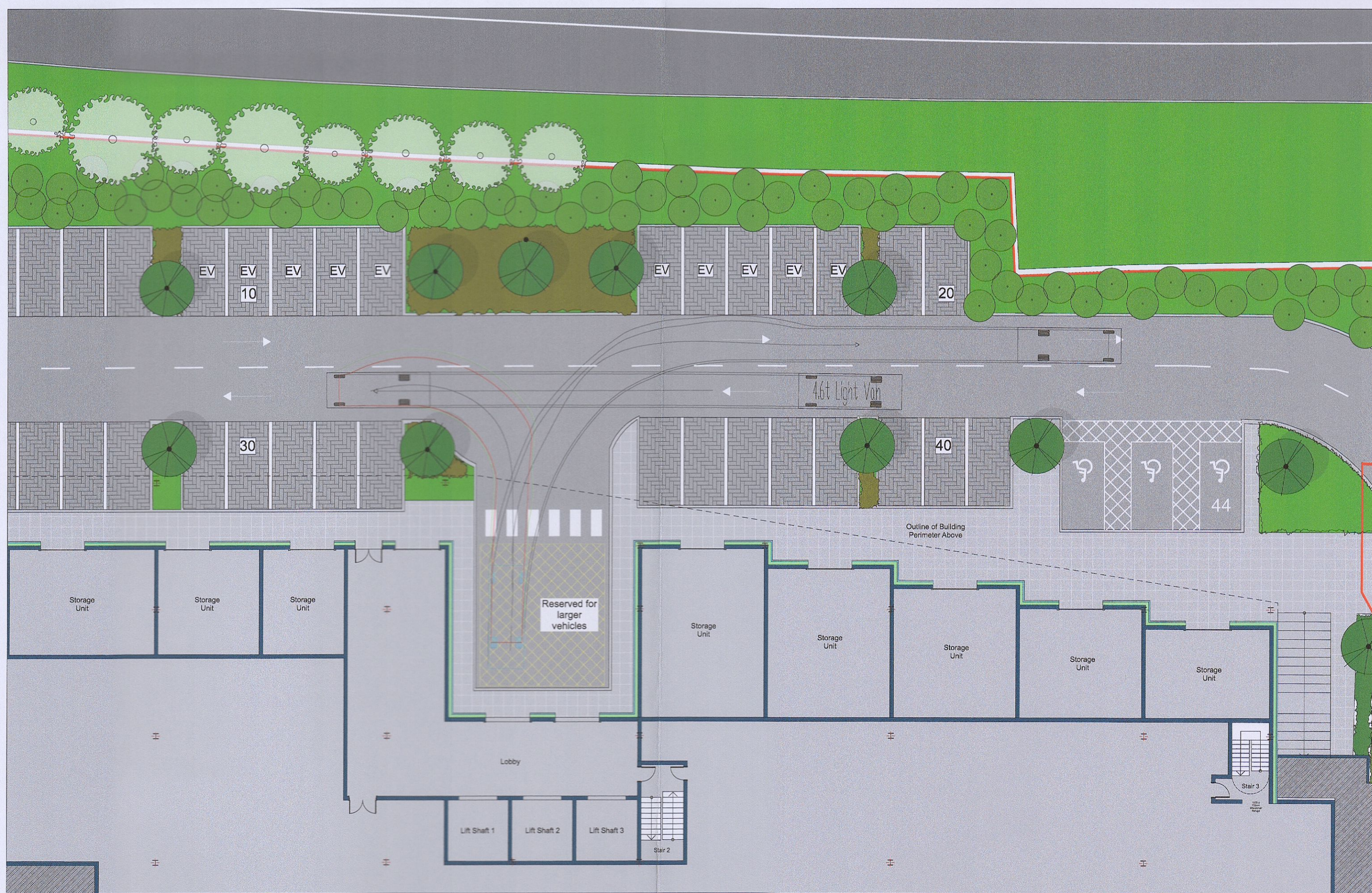




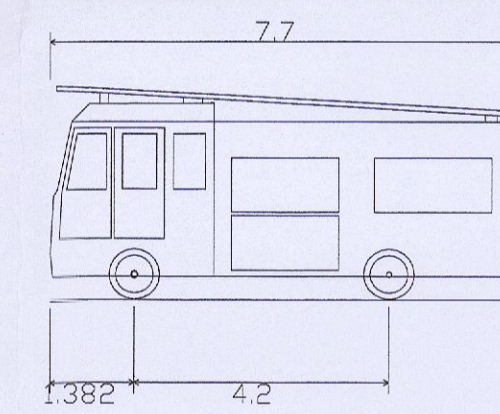
Emergency Vehicle (Dennis Sabre Fire Tender) AutoTRAK Layout @ 1:200



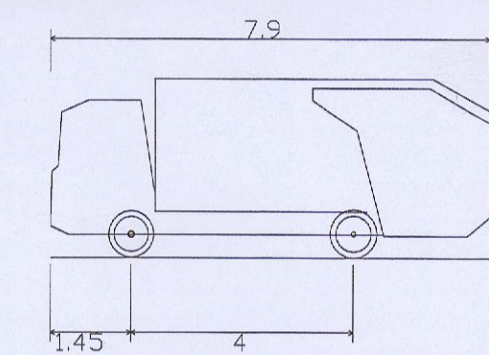
Refuse Vehicle AutoTRAK Layout @ 1:200



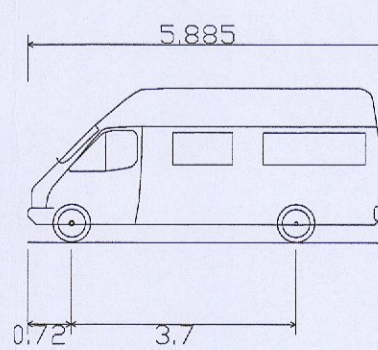
Light Van AutoTRAK Layout @ 1:200



Dennis Sabre Fire Tender (LWB)
 Overall Length 7.700m
 Overall Width 2.430m
 Overall Body Height 3.512m
 Min Body Ground Clearance 0.397m
 Track Width 1.380m
 Lock-to-lock time 4.00s
 Curb to Curb Turning Radius 7.400m



DB32 Refuse Vehicle
 Overall Length 7.900m
 Overall Width 2.400m
 Overall Body Height 3.183m
 Min Body Ground Clearance 0.388m
 Max Track Width 1.400m
 Lock-to-lock time 6.00s
 Curb to Curb Turning Radius 9.625m



4.6t Light Van
 Overall Length 5.885m
 Overall Width 2.000m
 Overall Body Height 2.526m
 Min Body Ground Clearance 0.299m
 Track Width 1.755m
 Lock-to-lock time 4.00s
 Curb to Curb Turning Radius 6.000m

AutoTRAK Layouts - 1:200

REV	DATE	DESCRIPTION	BK
			CHK
			BY
FOR ADDITIONAL INFORMATION			
Drawing number			22/04/229-
Project	U Store-It Unit, Liffey Valley, Dublin 22		
Client	Seamus Lonergan		
Drawing	AutoTRAK Layouts		
Scale	1:200 @ A1		
Date	13/01/2023		
Drawn by	AM		
Carew Kelly Architects			
21/22 Grafton Street, Dublin 2			
Tel. 01 - 6333 000 Fax 01 - 6333 001			
E-mail : design@carewKelly.ie			



Copyright exists in this drawing. Said copyright and any works executed from it remains the property of Carew Kelly Architects Ltd. M.M.R.I.A.I., Chartered Architects