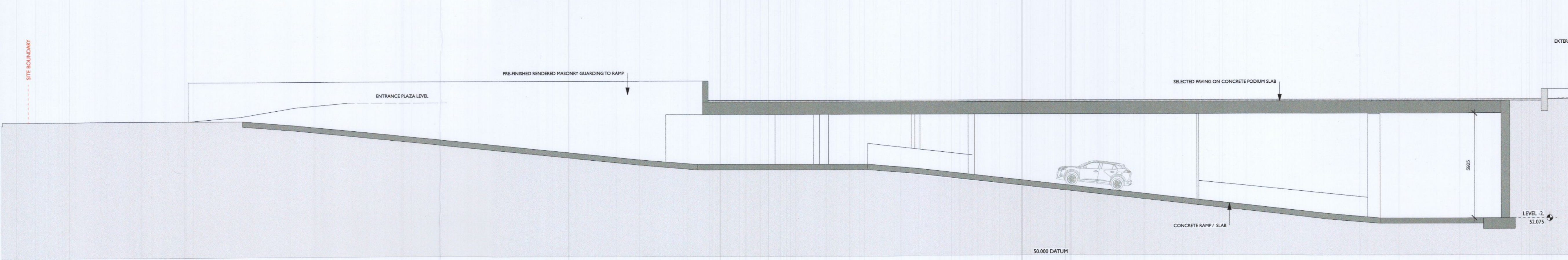
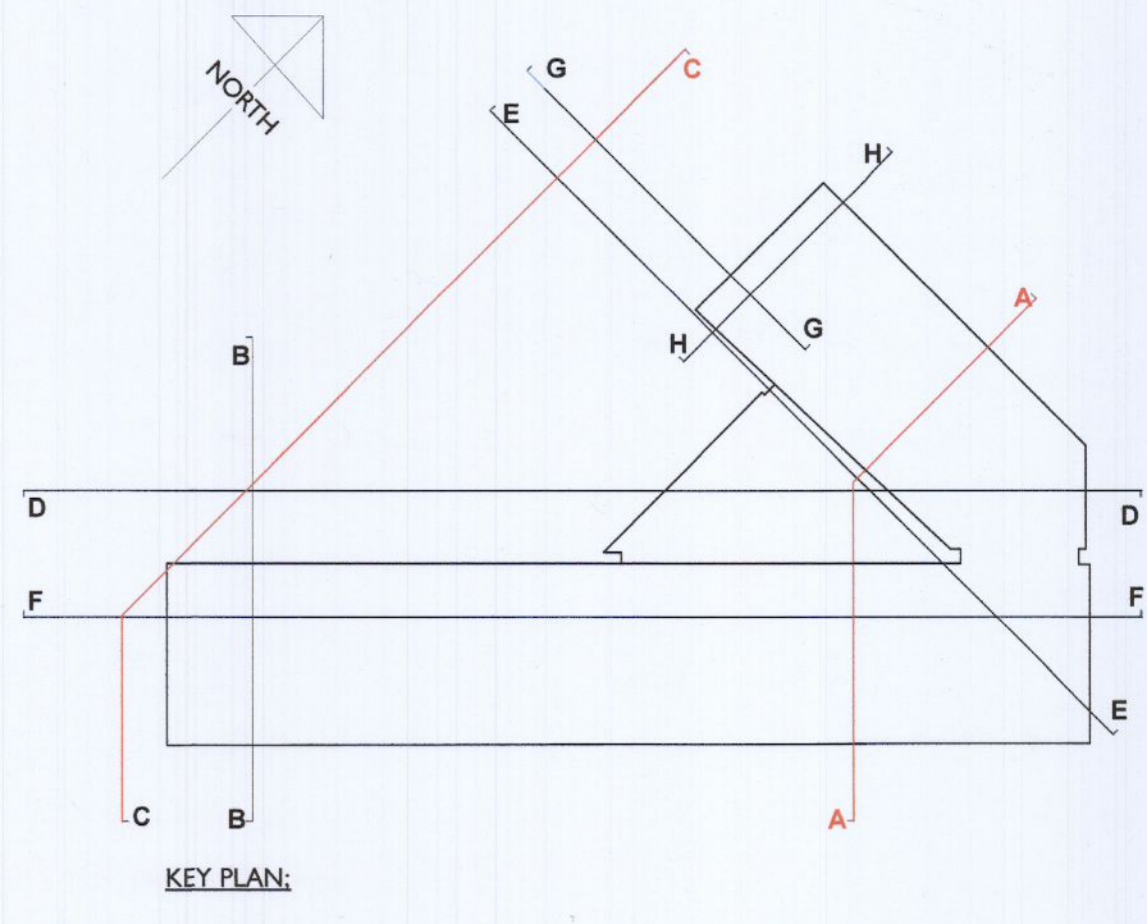


SECTION A-A



SECTION C-C

PLANNING DRAWING: 05.12.2022

REV	DATE	DESCRIPTION

PROJECT SITE D, LIFFEY VALLEY, DUBLIN 22.

TITLE PLANNING DRAWING; SECTION A-A & C-C

CLIENT WINMAR DEVELOPMENTS ULC.

EMD Architects
 107 Ludford Road, Ballinteer, Dublin 16, Ireland
 p. +353 1 2967948 f. +353 1 2960811 e. info@emdashitects.com

SCALE	DATE	DRG No.
1:125@A1/1:250@A3	Sept. 2022	P - 20