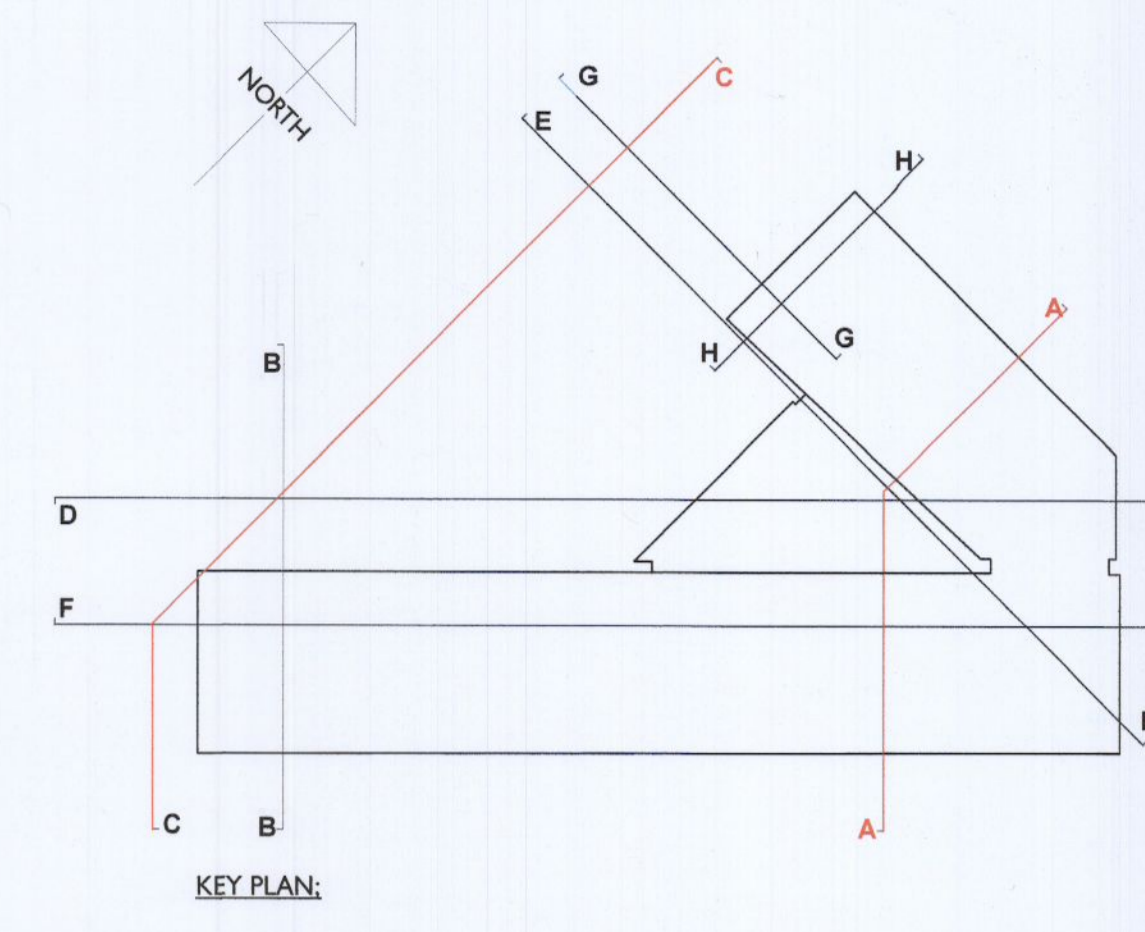
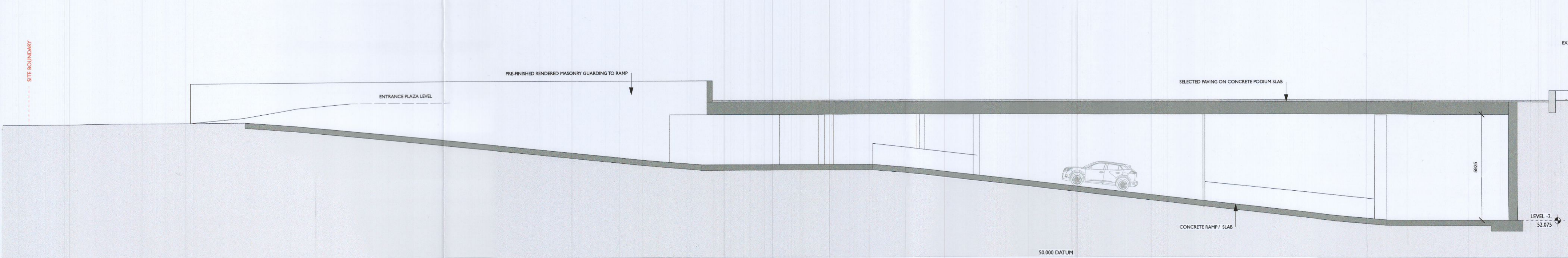




SECTION A-A



KEY PLAN



SECTION C-C

PLANNING DRAWING; 05.12.2022

REV	DATE	DESCRIPTION

PROJECT SITE D, LIFFEY VALLEY, DUBLIN 22.

TITLE PLANNING DRAWING; SECTION A-A & C-C

CLIENT WINMAR DEVELOPMENTS ULC.

EMDArchitects
 107 Ludford Road, Ballinteer, Dublin 16, Ireland
 p. +353 1 2987948 f. +353 1 2940811 e. info@emdashitects.com

SCALE	DATE	DRG. No.
1:125 @ A1 1:250 @ A3	Sept. 2022	P - 20