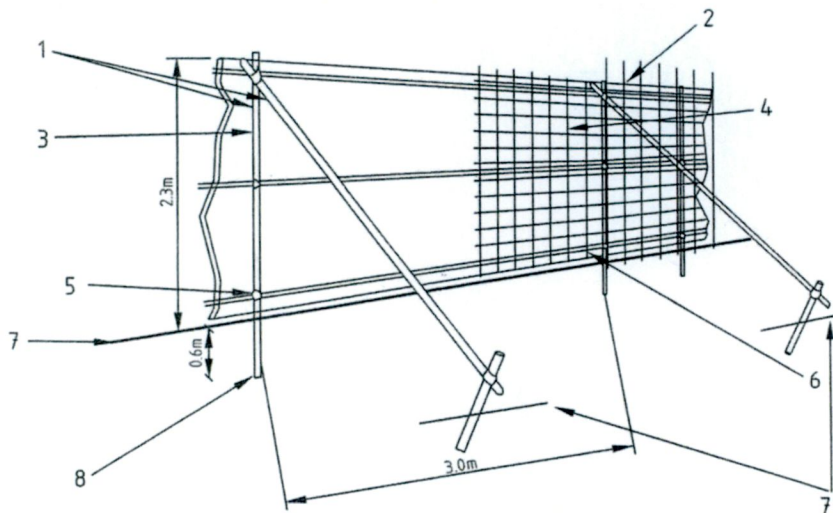


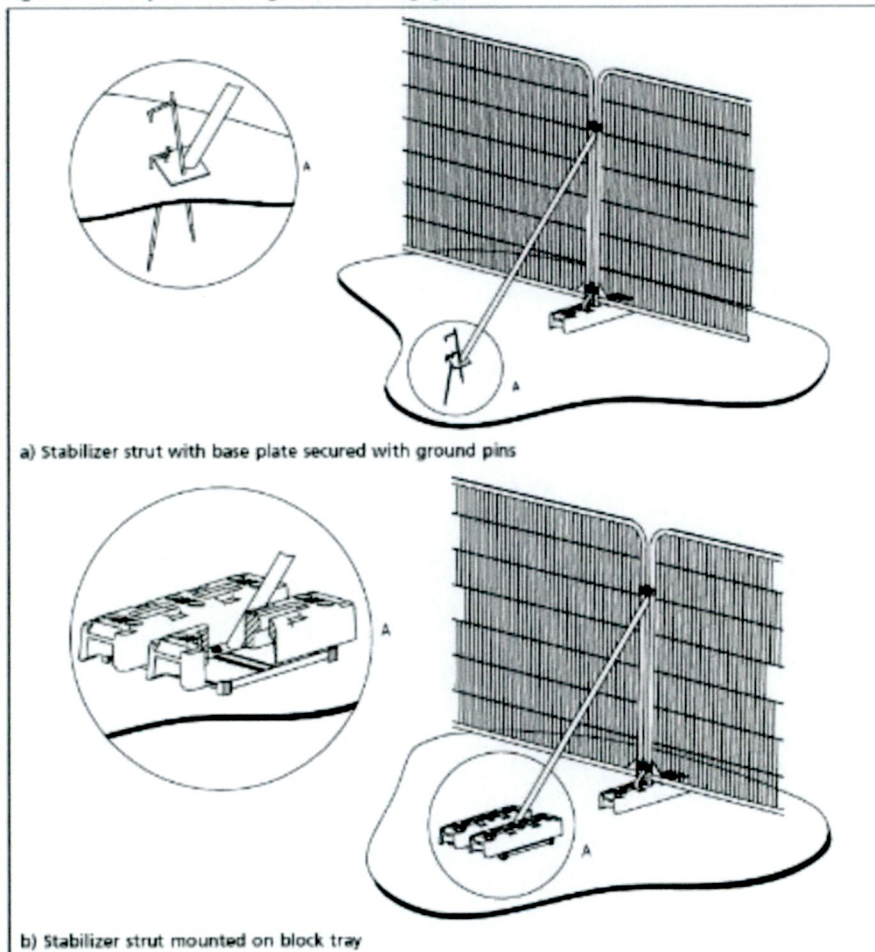
Tree Protective Fencing Examples:



- | | |
|--|--|
| 1 Standard scaffold poles | 5 Standard clamps |
| 2 Uprights to be driven into the ground | 6 Wire twisted and secured on inside face of fencing to avoid easy dismantling |
| 3 Panels secured to uprights with wire ties and, where necessary, standard scaffold clamps | 7 Ground level |
| 4 Weldmesh wired to the uprights and horizontals | 8 Approx. 0.6m driven into the ground |

Figure 2. – Protective fencing for RPA

Figure 3 Examples of above-ground stabilizing systems



Category Grade Table & Percentages

Within the site area, 15 Trees were tagged individually and 1 Tree Group, 1 Tree Line, 1 Tree Belt and 4 Hedges were numbered numerically.

The following table gives a breakdown of the category grading allocation as per the cascade chart in BS:5837 2012.

Category Grade	Tree Nos.
Category U 3 Trees 1 Tree Line	0488, 0489, 0491, Tree Line No.1
Category C 12 Trees 1 Tree Group 4 Hedges	0481, 0482, 0483, 0484, 0486, 0487, 0492, 0493, 0494, 0495, 0496, 0498 Tree Group No.1 (3 Trees) Hedge Nos.1, 2, 3, 4
Category B 1 Tree Belt	Tree Belt No.1
Category A 0 Trees	
Grand Total	15 Trees, 4 Hedges, 1 Tree Group, 1 Tree Line, 1 Tree Belt