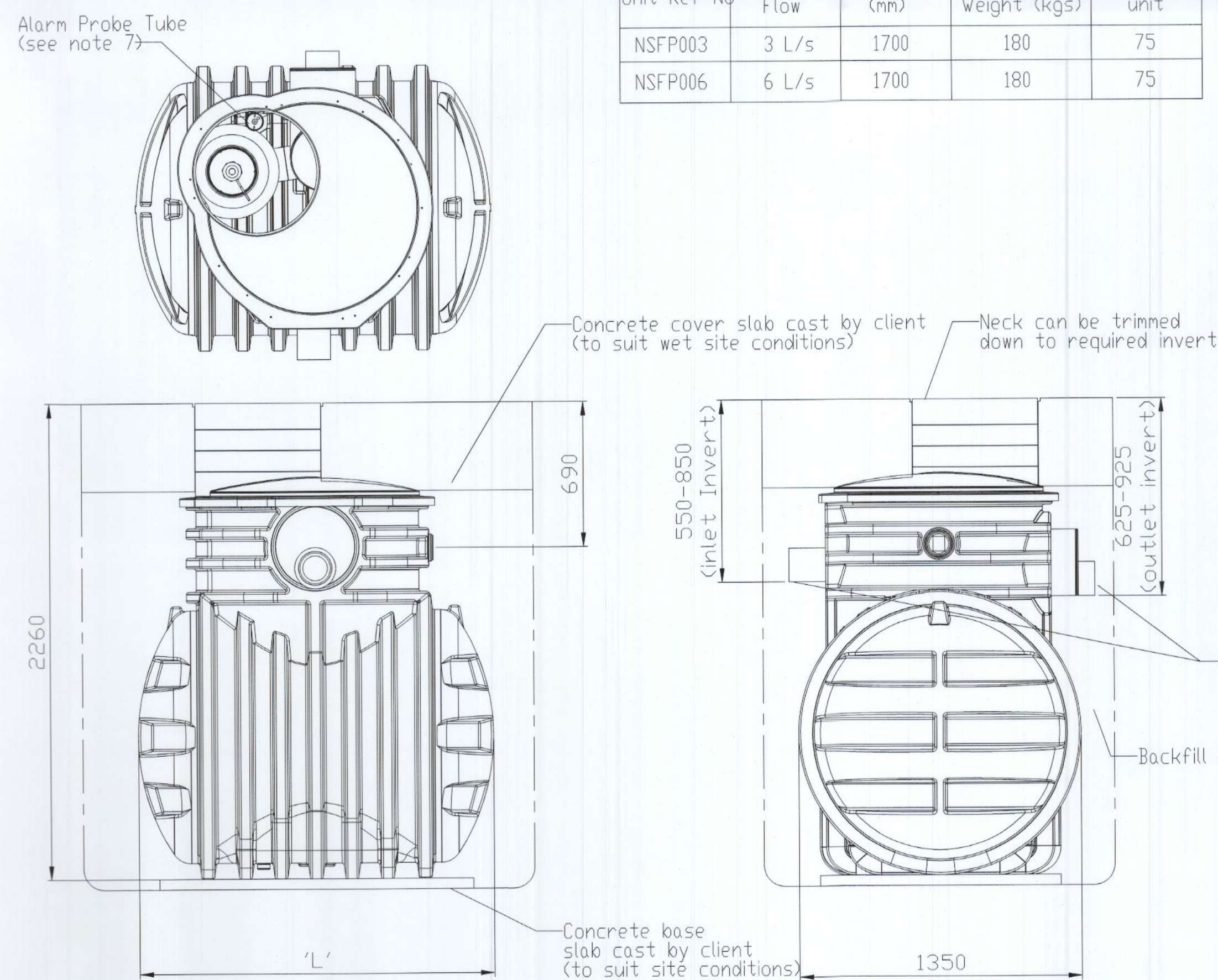
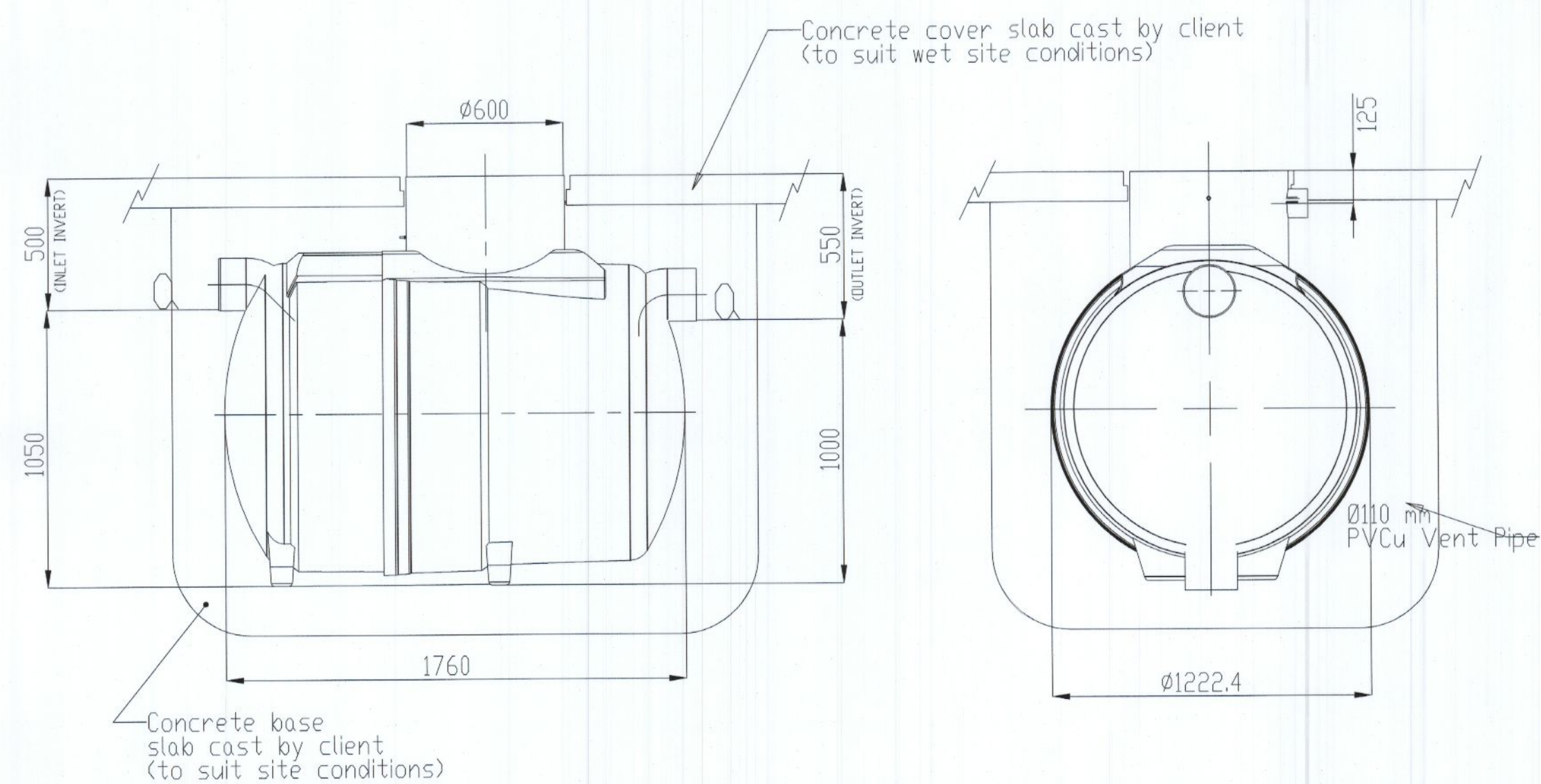


Unit Ref No	Nominal Flow	Dim L (mm)	Approx Empty Weight (kgs)	Fall across unit
NSFP003	3 L/s	1700	180	75
NSFP006	6 L/s	1700	180	75

Notes:-

- Inlet/Outlet pipes are plain pipe 315 mm PVCu. The standard EN 858 states minimum connection sizes, units ordered with different sized connections are not fully compliant with the standard.
 - Extension necks for deeper inverts can be provided. These can be cut in 200 mm sections. Max 2.0m invert recommended. Please ask our sales department for further details.
 - All units require appropriate cover and frame to suit applied loadings.
 - This drawing should be used for dimensional information only. It is essential that this drawing is read in conjunction with the installation guidelines supplied with the unit. (Copies are available from our sales dept.)
 - This drawing is also available on our website www.kingspanenv.com.
 - A 76 mm tube (internal) is supplied to house an oil alarm probe.
 - Wet site conditions - Concrete Backfill
Dry site conditions - Pea Shingle Backfill
- Please refer to installation manual for details of correct backfilling.



Unit Ref No	Nominal Flow	Dim L (mm)	Approx Empty Weight (kgs)	Fall across unit
NSFP003	3 L/s	1700	180	75
NSFP006	6 L/s	1700	180	75

Notes:-

- Inlet/Outlet pipes are plain pipe 160 mm PVCu. The standard EN 858 states minimum connection sizes, units ordered with different sized connections are not fully compliant with the standard.
 - Extension necks for deeper inverts can be provided. These can be cut in 200 mm sections. Max 2.0m invert recommended. Please ask our sales department for further details.
 - All units require appropriate cover and frame to suit applied loadings.
 - This drawing should be used for dimensional information only. It is essential that this drawing is read in conjunction with the installation guidelines supplied with the unit. (Copies are available from our sales dept.)
 - This drawing is also available on our website www.kingspanenv.com.
 - A 76 mm tube (internal) is supplied to house an oil alarm probe.
 - Wet site conditions - Concrete Backfill
Dry site conditions - Pea Shingle Backfill
- Please refer to installation manual for details of correct backfilling.

NOTES

LEGEND

REV.	DATE	DESCRIPTION	DRN	ENG	CHK	APP
P03	09/12/22	PLANNING ISSUE	LT	CD	CD	HF
P02	14/10/22	PLANNING ISSUE	LT	CD	CD	HF
P01	02/09/22	DRAFT PLANNING ISSUE	LT	CD	CD	HF

ANY UNAUTHORIZED USE OR REPRODUCTION OF THIS DOCUMENT IN WHOLE OR IN PART IS PROHIBITED. DELETE THIS DOCUMENT IF YOU HAVE RECEIVED IT IN ERROR

MECHANICAL & ELECTRICAL ENGINEER CIVIL & STRUCTURAL ENGINEER



PROJECT: Unit 1, M50 Business Park

TITLE: PROPOSED SERVICES DETAILS SHEET 2

DRAWING NO.: 22_112-CSE-00-XX-DR-C-2912

SCALE: A1 NOT TO SCALE AGILE No.: REV: P03