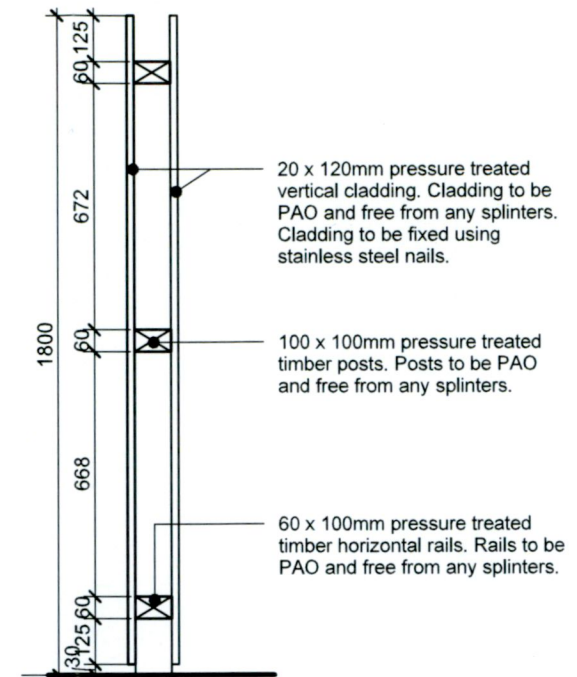
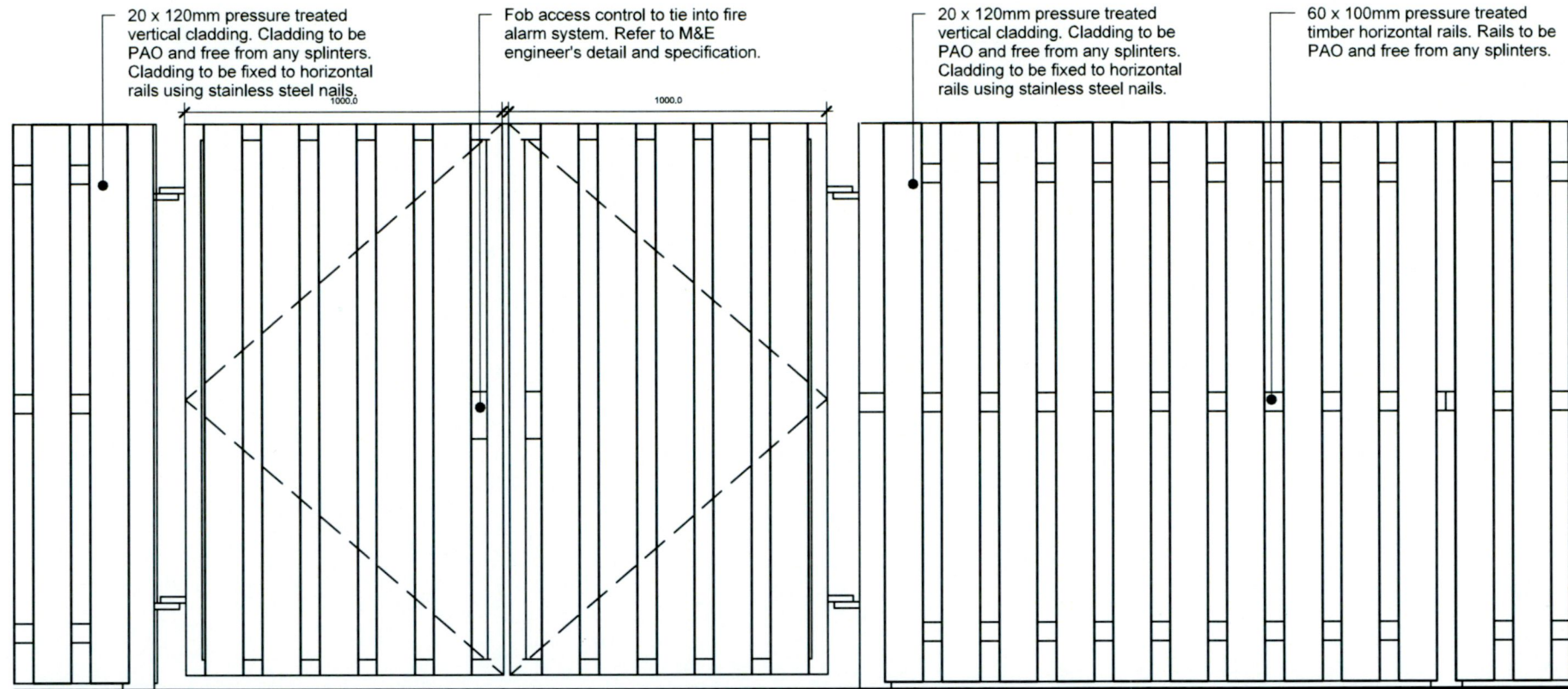
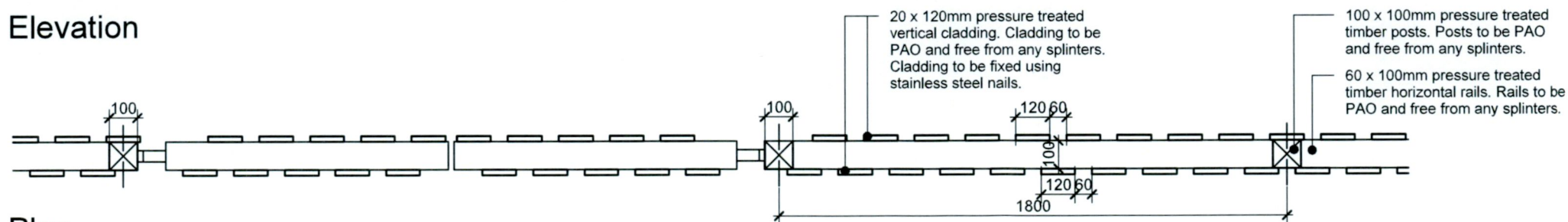


SEN & SENSORY GARDEN HIT AND MISS FENCE

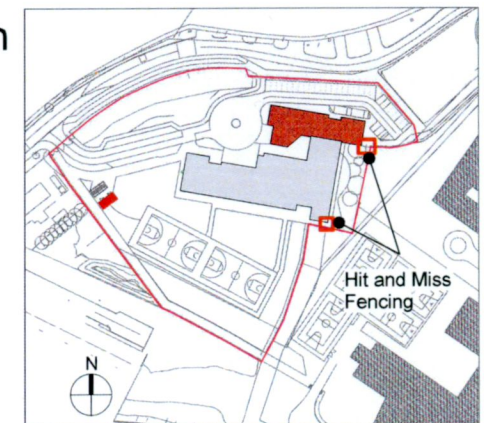


Elevation



Plan

Section



KEY PLAN
NTS

1 SEN Hit and Miss Fencing
1 : 20

Planning Application

oppermann
associates

ARCHITECTS & INTERIOR DESIGNERS

Unit D1, The Millhouse, The Steelworks, Foley Street, Dublin 1.

Tel: (01) 8899800 Fax: (01) 8899899 email: architecture@oppermann.ie

CLIENT:	Department of Education & Science	DRAWN BY:	DMCD
PROJECT:	20-782 - Esker ETNS, Lucan - School Extension	CHECKED BY:	OA
DRAWING:	SEN Hit and Miss Fencing Details	SCALE:	As indicated @ A3
DRAWING NO:	20782-OPP-01-ZZ-DR-A-9215-PL-P01	PLOT DATE:	15/12/22

Copyright © 2020 Oppermann Associates All Rights Reserved. Figured dimensions only to be taken from this drawing. All dimensions to be checked on site. Architects to be informed immediately of any discrepancies before work proceeds.

P01	15/12/22	OA	Planning Application
-----	----------	----	----------------------

REVISION	DATE	REVISED BY	DESCRIPTION
----------	------	------------	-------------