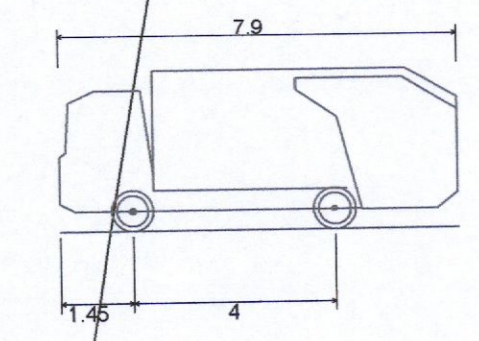


REVISION SCHEDULE				
REV. NO.	REV. DESCRIPTION	REV. DATE	DRAWN	CHECKED
PL01	ISSUED FOR PLANNING	16/11/2022	PAF	JOB



DB32 Refuse Vehicle
 Overall Length 7.900m
 Overall Width 2.400m
 Overall Body Height 3.183m
 Min Body Ground Clearance 0.388m
 Max Track Width 2.400m
 Lock-to-lock time 6.00s
 Curb to Curb Turning Radius 9.625m

Drawing Stage: PLANNING	Project Details:	
	Site Address:	CUCKOO'S NEST PUB, GREENHILLS ROAD, KILNAMANAGH
	Client:	-
	Architect:	DAVEY SMITH ARCHITECTS
	M&E Designer:	-
Contractor:	-	

Notes

Drawn by: PAF	Checked by: JOB	Approved by: JMCM	Date: 19/10/2022		Behan House, 10 Lower Mount Street, Dublin 2. D02 HT71 Tel: +353 1 661 1100 e-mail: info@cora.ie Web: www.cora.ie				
Project Name: CUCKOO'S NEST		Scale: 1:150 @ A1	Project Number: 21816		Project: 21816	Originator: CORA	Zone: -		
Drawing Title: PROPOSED REFUSE TRUCK VEHICLE TRACKING PROPOSED NEW ROAD LAYOUT				Level: -	Type: DR	Discipline: C	Drawing No: 201B	Stage: PL	Revision: 01