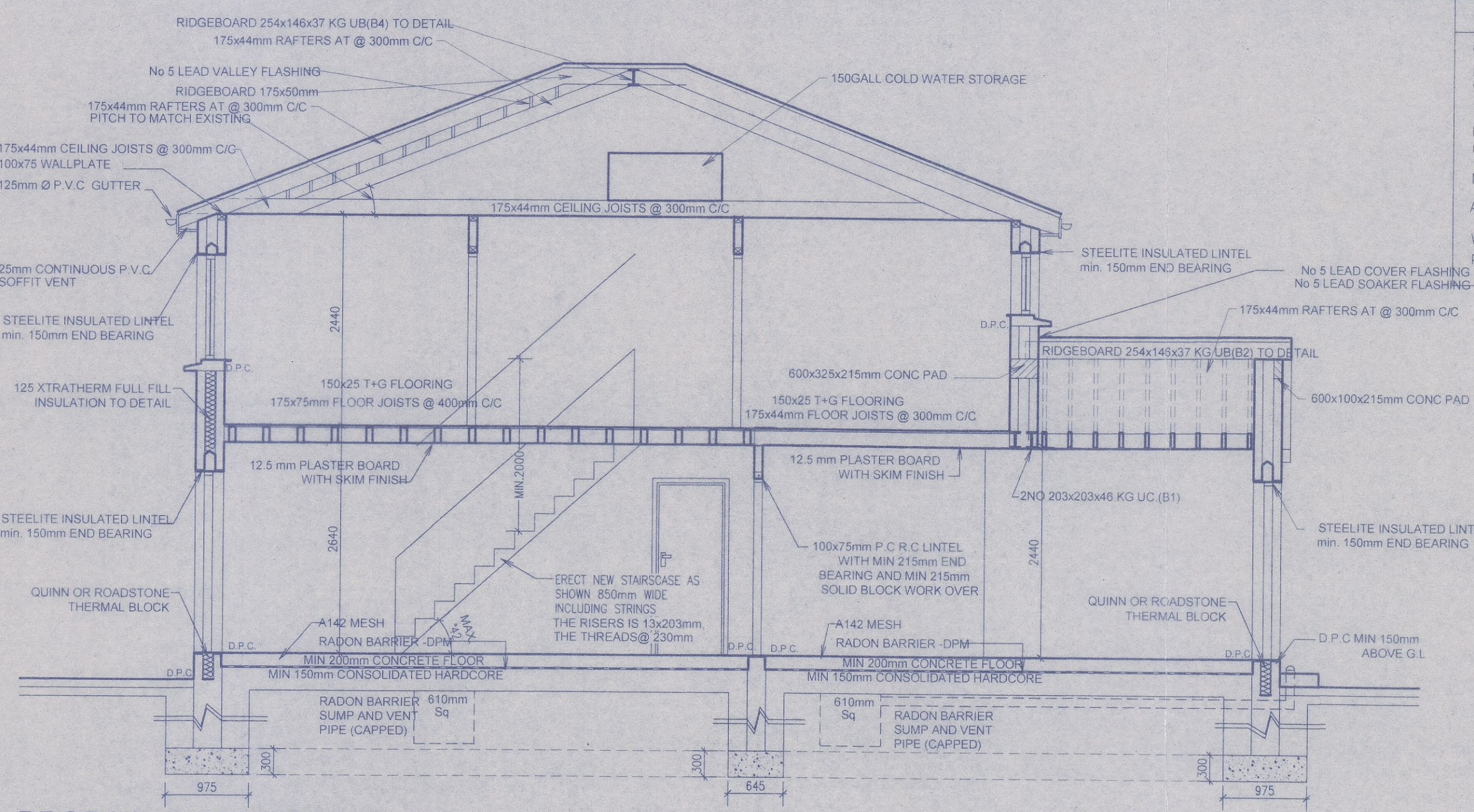
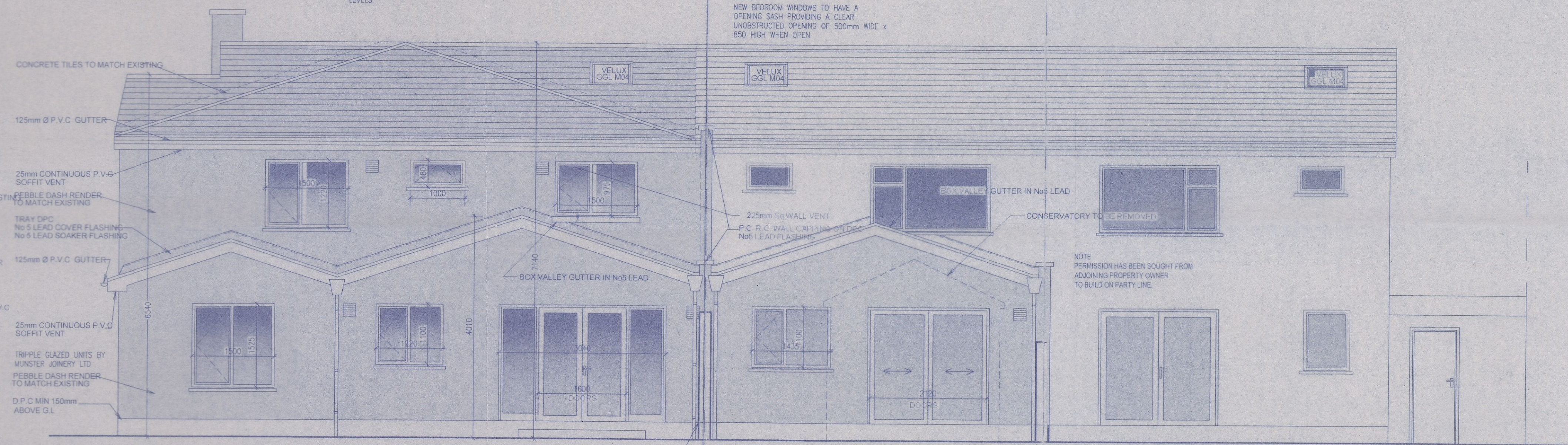


PROPOSED SECTION B-B

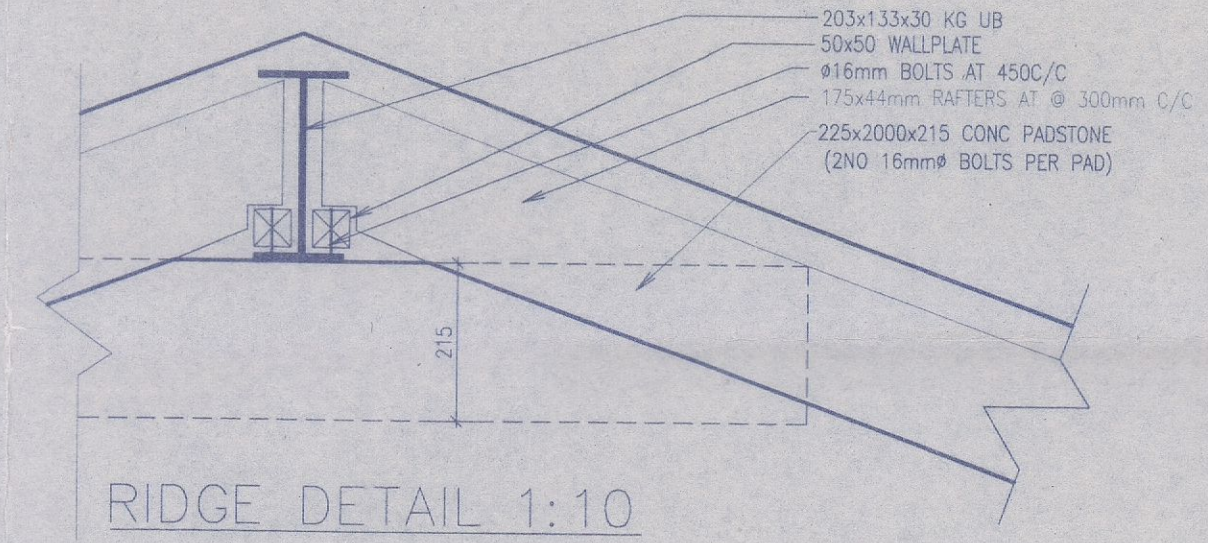


PROPOSED SECTION A-A

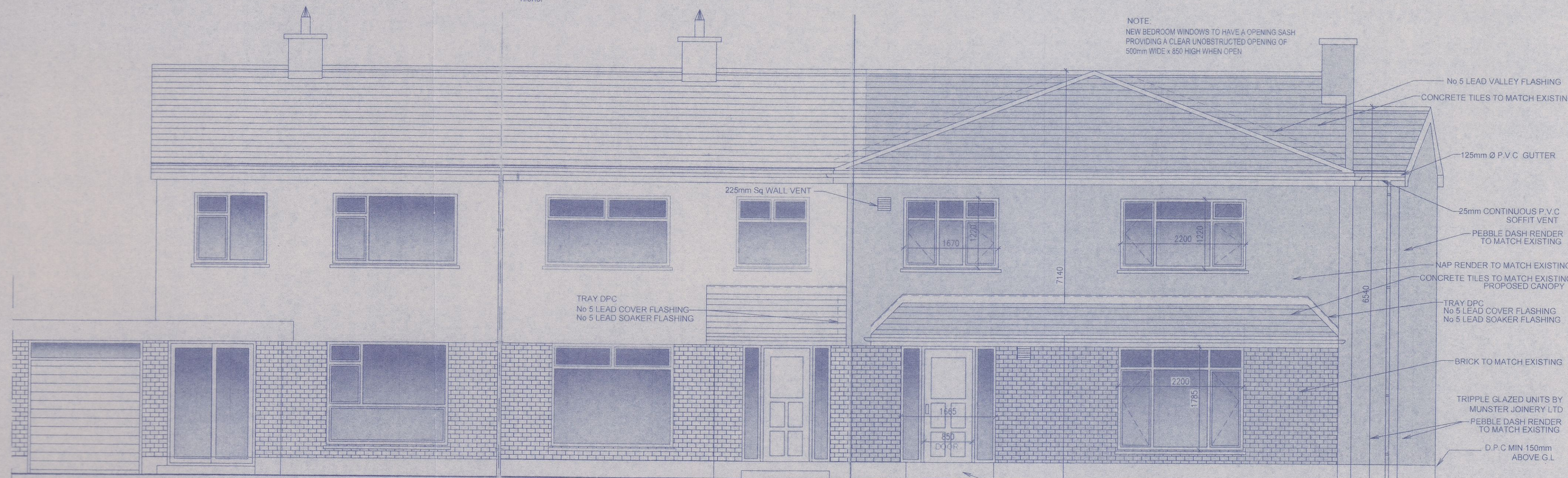
NOTES:
 All work to comply with the Building Regulations 1997-2014.
 It is the responsibility of the builder/Contractor of the Building or Works to ensure the compliance of such with the Building Regulations 1997-2014.
 Dimensions shown of rooms are wall to wall dimensions and do not include any insulation, plaster, plasterboard or wall finishes.
 No dimensions to be scaled from this drawing.
 All dimensions to be checked on site.
 Where any discrepancy or error may occur, Architect to be notified prior to commencement of work.



No. 23A
 PROPOSED REAR ELEVATION



RIDGE DETAIL 1:10



No. 21
 PROPOSED FRONT ELEVATION

NO.	REVISIONS	DATE	BY

PROJECT:
 PROPOSED NEW DWELLING AT SIDE, PROPOSED SINGLE STORY EXTENSION AT REAR OF 23 KNOCKLYON CLOSE, KNOCKLYON, DUBLIN 16

CLIENT:
 ALAN DAVIS

Drawing Type:
 ELEVATIONS, SECTIONS

Date NOV 22 Scales 1:50 Drwn. By L.K

Weber Architecture
 180 Rathgar Rd.,
 Dublin 6
 Mobil: 087-2303449
 E-mail: eamonweber@eircom.net

This drawing is copyright © Sheet No. 18/22 2 OF 3