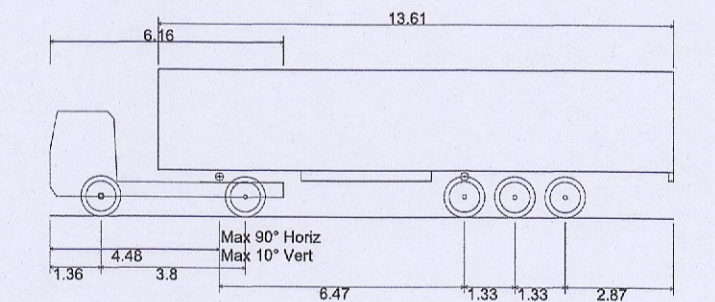




PROPOSED SITE BOUNDARY
OUTLINED RED
SITE AREA = 10399m² / 2.5 ACRES
1.04 HECTARES

SITE LAYOUT PLAN SHOWING HGV TRACKING DETAILS
SCALE 1:250



FTA Design Articulated Vehicle (2006)
Overall Length 16.480m
Overall Width 2.550m
Overall Body Height 3.870m
Min Body Ground Clearance 0.515m
Max Track Width 2.470m
Lock-to-lock time 3.00s
Curb to Curb Turning Radius 6.600m

VEHICLE DETAILS

© THIS DRAWING IS PROTECTED BY COPYRIGHT AND IS THE PROPERTY OF SDS (Structural Design Solutions) Ltd. / SDS-UK Ltd. IT MAY NOT BE USED, REPRODUCED OR DISCLOSED TO ANYONE WITHOUT THE PRIOR WRITTEN APPROVAL OF THE AUTHORS.

CIVIL, STRUCTURAL & BUILDING ENGINEERS
DUBLIN • LONDON • CASTLEBAR • SPAIN

Head Office: Unit 9, N5 Business Park, Castlebar, Co. Mayo F23 E283. Tel: +353 (0)94 9034914
Dublin: Silverdale, Old Swords Road, Dublin 9, D09 CA24. Tel: +353 (0)1 6877480
London: Bridge House, 25-27 The Bridge, Wealdstone, Harrow, HA9 9AB. Tel: +44 (0)20-30266724
Spain: Calle Virgen de Guadalupe, 44, Ubeda, 23400, Jaen.

SDS
design engineers

info@structuraldesign.ie Web: www.structuraldesign.ie

DRAWING NOTES:
1. This Drawing is to be read in conjunction with the relevant Specifications & other Architectural & Engineering Drawings. Engineers to be informed immediately of any discrepancies before work proceeds.
2. Do Not Scale from this Drawing. Metric Figured Dimension only are to be used.
3. It is "The Contractors" responsibility to ensure that all works are carried out in accordance with the requirements of the current Building Regulations and all other statutory documents relevant to this project including the grant of planning permission, Fire Safety Certificate and Disability Access Certificate.
4. SDS (Structural Design Solutions) Ltd. / SDS-UK (Structural Design Solutions) Ltd. bear no liability for unilateral changes/modifications made during the course of construction based on the drawing prepared, without prior consultation and confirmation of acceptance of the revision by SDS (Structural Design Solutions) Ltd. / SDS-UK (Structural Design Solutions) Ltd.

REV.	DATE	BY:	DESCRIPTION:
PL.5	15.11.2022	TD	ISSUED FOR PLANNING

LIDL IRELAND GmbH

Project File:
PROPOSED DEVELOPMENT OF LIDL STORE AT NEWCASTLE, DUBLIN, CO. DUBLIN

Drawing Title:
SITE LAYOUT PLAN SHOWING HGV TRACKING DETAILS

Scale	Paper Size	Status
AS SHOWN	A1	PLANNING
Drawn by	Date	Checked
TD	NOVEMBER 2022	MM
Project No.	Drawing No.	Revision
22058	1027	PL.1